

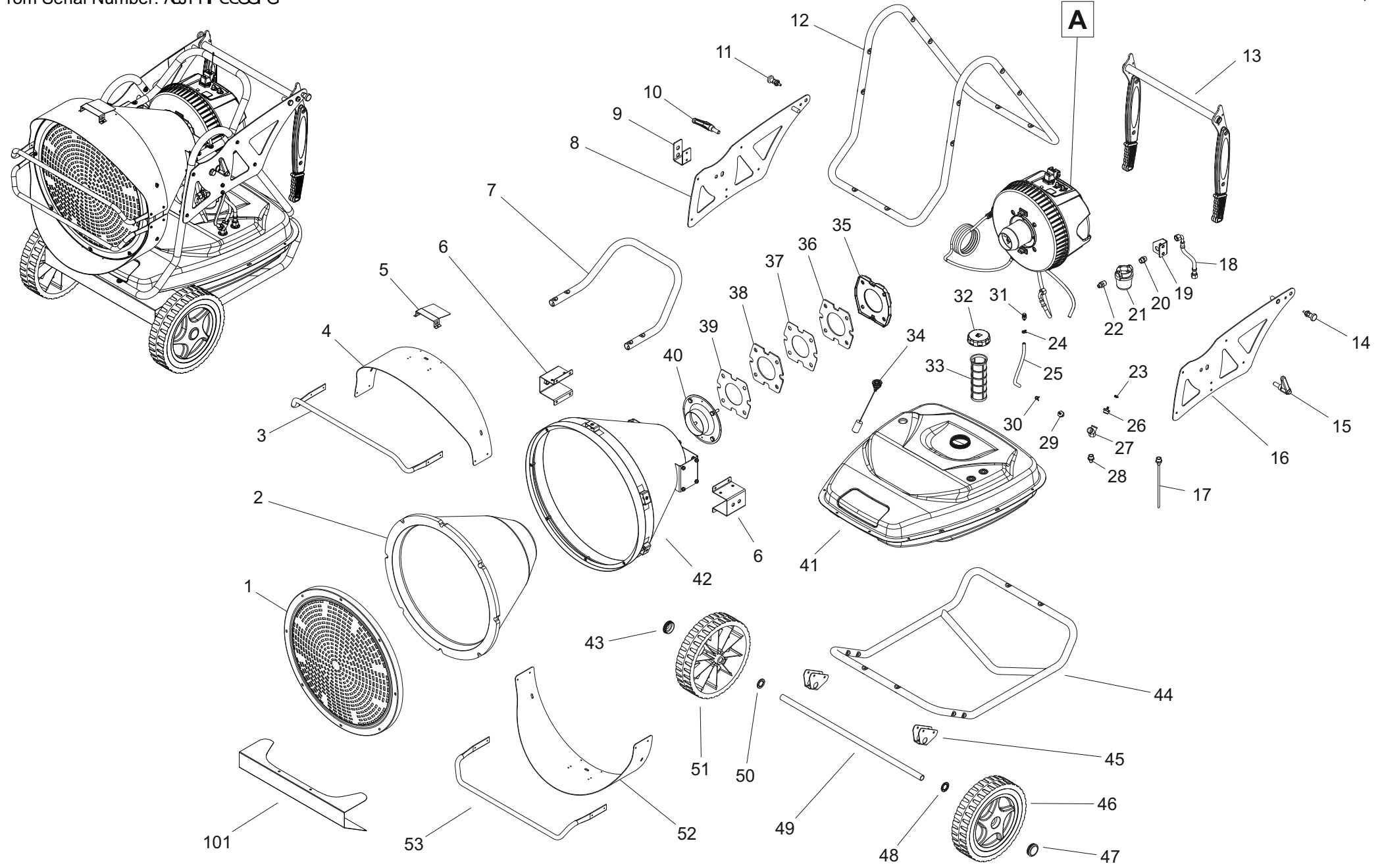
# MODEL XL91 - 230 V / 50 Hz

UNIT 1

ILLUSTRATED PARTS BREAKDOWN

From Serial Number: A J I H € € G G G

Rev -- Sept. 2016

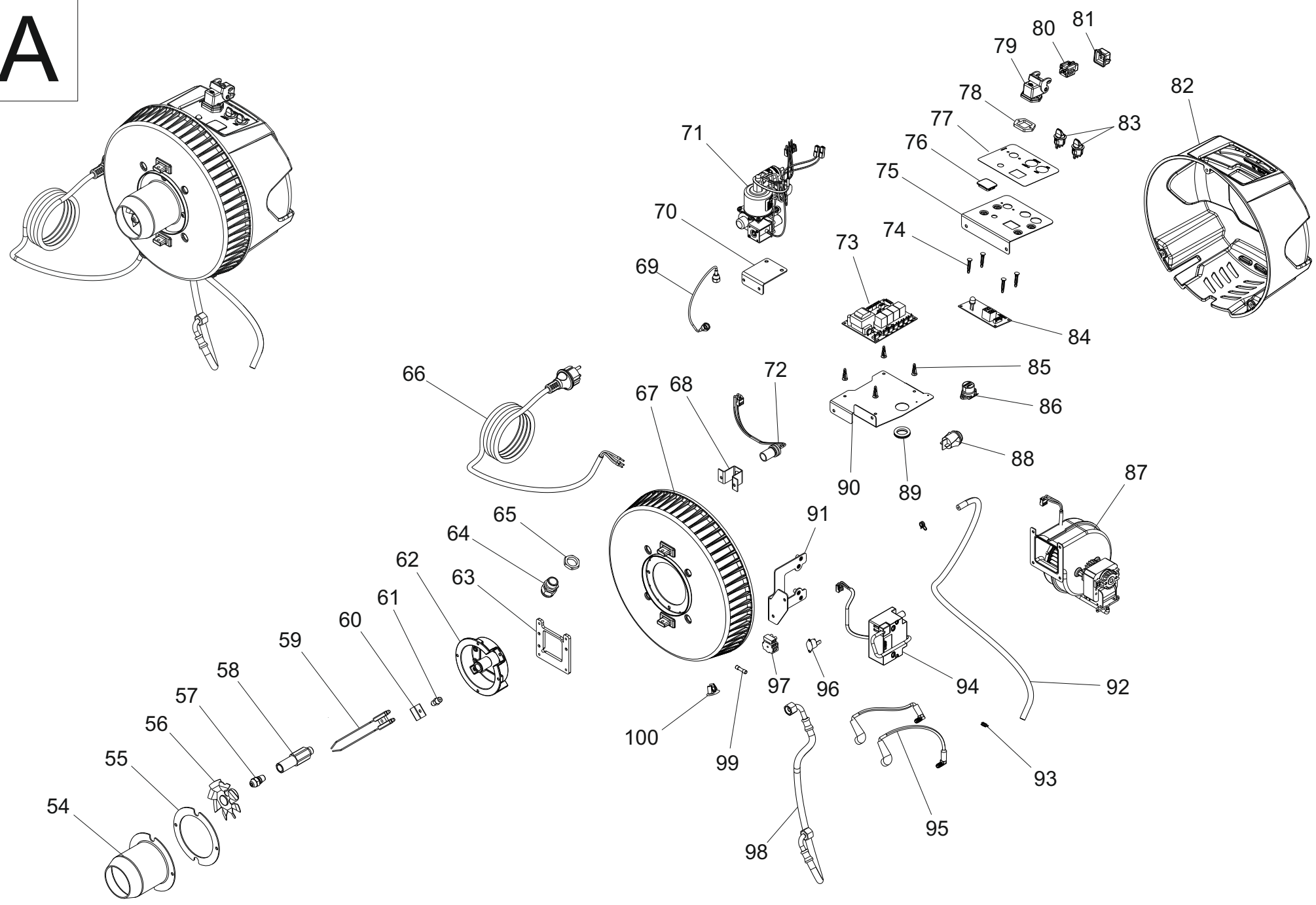


# MODEL XL91 - 230 V / 50 Hz

UNIT 2

ILLUSTRATED PARTS BREAKDOWN

# A



# MODEL XL91 230 V - 50 Hz

UNIT 2

PARTS LIST

| Pos. | Code N°     | Description              | Rev. - - Sept. 2016 |
|------|-------------|--------------------------|---------------------|
| 1    | 4117.043    | RADIATION PLATE          |                     |
| 2    | 4117.633    | INSULATION CONE          |                     |
| 3    | 4117.623    | PROTECTION TUBE          |                     |
| 4    | 4117.671    | PROTECTION SHIELD        |                     |
| 5    | 4117.732    | LABEL PLATE              |                     |
| 6    | 4117.662    | SUPPORT BRACKET          |                     |
| 7    | 4117.684    | HANDLE                   |                     |
| 8    | 4117.666    | SIDE PLATE               |                     |
| 9    | 4117.661    | POWER CORD BRACKET       |                     |
| 10   | 4117.294    | ROTATION KNOB            |                     |
| 11   | 4117.152    | HANDLES PIN              |                     |
| 12   | 4117.659    | UPPER CHASSIS            |                     |
| 13   | 4117.645    | HANDLES ASSEMBLY         |                     |
| 14   | 4117.152    | HANDLES PIN              |                     |
| 15   | 4117.294    | ROTATION KNOB            |                     |
| 16   | 4117.667    | SIDE PLATE               |                     |
| 17   | 4117.446    | SUCTION PIPE WITH NIPPLE |                     |
| 18   | 4117.698    | SUCTION FIBER PIPE       |                     |
| 19   | 4117.639    | FILTER BRACKET           |                     |
| 20   | 4117.+)     | STRAIGHT NIPPLE          |                     |
| 21   | 4031.070    | OIL FILTER               |                     |
| 22   | 4\$' ( " +, | STRAIGHT NIPPLE          |                     |
| 23   | 4290.027    | CLIP                     |                     |
| 24   | 4290.027    | CLIP                     |                     |
| 25   | 4201.062    | RUBBER PIPE              |                     |
| 26   | 4117.709    | PIPE HOLDER              |                     |
| 27   | 4117.664    | PIPE Y                   |                     |
| 28   | 4117.447    | STRAIGHT ADAPTER         |                     |
| 29   | 4117.709    | PIPE HOLDER              |                     |
| 30   | 4290.027    | CLIP                     |                     |
| 31   | 4260.246    | BREATH VALVE             |                     |
| 32   | 4034.283    | TANK CAP                 |                     |
| 33   | 4290.213    | TANK FILTER              |                     |
| 34   | 4260.123    | FUEL GAUGE               |                     |
| 35   | 4117.631    | ALUMINIUM PLATE          |                     |
| 36   | 4117.634    | PAPER GASKET             |                     |
| 37   | 4117.632    | FIBER GASKET             |                     |
| 38   | 4117.634    | PAPER GASKET             |                     |
| 39   | 4117.632    | FIBER GASKET             |                     |
| 40   | 4117.689    | FLANGE                   |                     |
| 41   | 4117.653    | TANK                     |                     |
| 42   | 4117.674    | COMBUSTION CHAMBER       |                     |
| 43   | 4111.480    | WHEEL CAP                |                     |
| 44   | 4117.658    | LOWER CHASSIS            |                     |
| 45   | 4117.678    | AXLE BRACKET             |                     |
| 46   | 4110.978    | WHEEL                    |                     |
| 47   | 4111.480    | WHEEL CAP                |                     |
| 48   | 4111.072    | BLOCK WASHER             |                     |
| 49   | 4117.680    | AXLE                     |                     |
| 50   | 4111.072    | BLOCK WASHER             |                     |

ESP00423

# MODEL XL91 230 V - 50 Hz

UNIT 2

PARTS LIST

| Pos.      | Code N°   | Description                   | Rev. - - Sept. 2016 |
|-----------|-----------|-------------------------------|---------------------|
| 51        | 4110.978  | WHEEL                         |                     |
| 52        | 4117.071  | PROTECTION SHIELD             |                     |
| 53        | 4117.623  | PROTECTION TUBE               |                     |
| 54        | 4117.607  | CHAMBER TUBE                  |                     |
| 55        | 4117.609  | TUBE GASKET                   |                     |
| 56        | 4117.610  | TURBOLATION DISK              |                     |
| 57        | 4117.+)\$ | NOZZLE                        |                     |
| 58        | 4117.619  | NOZZLE HOLDER                 |                     |
| 59        | 4117.618  | ELECTRODES                    |                     |
| 60        | 4117.686  | ELECTRODES BRACKET            |                     |
| 61        | 4290.053  | CONNECTION STRAIGHT           |                     |
| 62        | 4201.033  | COMBUSTION HEAD               |                     |
| 63        | 4117.688  | COMBUSTION HEAD FLANGE        |                     |
| 64        | 4150.528  | POWER CORD HOLDER             |                     |
| 65        | 4100.656  | POWER CORD HOLDER WASHER      |                     |
| 66        | 4117.614  | POWER CORD                    |                     |
| 67        | 4117.603  | BURNER FLANGE                 |                     |
| 68        | 4201.259  | PHOTOCELL BRACKET             |                     |
| 69        | 4201.052  | OIL PIPE                      |                     |
| 70        | 4117.605  | PUMP BRACKET                  |                     |
| 71        | 4117.606  | PUMP                          |                     |
| 72        | 4201.260  | PHOTOCELL                     |                     |
| 73        | 4201.427  | PC-BOARD                      |                     |
| 74        | 4290.028  | SPACERS                       |                     |
| 75        | 4117.690  | DISPLAY BRACXKET              |                     |
| 76        | 4201.068  | DISPLAY COVER                 |                     |
| 77        | 4117.642  | DISPLAY LABEL                 |                     |
| 78        | 4201.426  | THERMOSTAT CONNECTION SPACER  |                     |
| 79        | 4160.647  | THERMOSTAT CONNECTION         |                     |
| 80        | 4161.400  | THERMOSTAT PLUG               |                     |
| 81        | 4162.467  | THERMOSTAT CAP                |                     |
| 82        | 4201.331  | BURNER COVER                  |                     |
| 83        | 4034.223  | SWITCH                        |                     |
| 84        | 4201.424  | DISPLAY BOARD                 |                     |
| 85        | 4290.021  | SPACERS                       |                     |
| 86        | 4260.110  | ANTI-TILT SWITCH              |                     |
| 87        | 4117.687  | VENTILATION MOTOR             |                     |
| 88        | 4260.233  | RESET SWITCH                  |                     |
| 89        | 4290.003  | WIRE PROTECTION               |                     |
| 90        | 4117.665  | PC-BOARD BRACKET              |                     |
| 91        | 4117.615  | TRANSFORMER BRACKET           |                     |
| 92        | 4117.608  | RUBBER PIPE                   |                     |
| 93        | 4290.027  | CLIP                          |                     |
| 94        | 4260.253  | HIGH TENSION TRANSFORMER      |                     |
| 95        | 4117.613  | HIGH TENSION TRANSFORMER WIRE |                     |
| 96        | 4032.883  | SAFETY THERMOSTAT             |                     |
| 97        | 4117.685  | TERMINAL BLOCK                |                     |
| 98        | 4117.699  | OIL PIPE                      |                     |
| 99        | 4514.409  | FUSE                          |                     |
| 100       | 4117.700  | CAP                           |                     |
| 101       | 4117.735  | FRONT PROTECTION              |                     |
| NOT SHOWN |           |                               |                     |
| 102       | 4117.747  | WIRES KIT                     |                     |

# **MODEL XL91 230 V - 50 Hz**

UNIT 2

*RECOMMENDED PARTS LIST*

---

| <b>Pos.</b> | <b>Code N°</b> | <b>Description</b>       | <i>Rev. - - Sept. 2016</i> |
|-------------|----------------|--------------------------|----------------------------|
| 1           | 4117.043       | RADIATION PLATE          |                            |
| 2           | 4117.633       | INSULATION CONE          |                            |
| 21          | 4031.070       | OIL FILTER               |                            |
| 57          | 4117.+)        | NOZZLE                   |                            |
| 71          | 4117.606       | PUMP                     |                            |
| 72          | 4201.260       | PHOTOCELL                |                            |
| 73          | 4201.427       | PC-BOARD                 |                            |
| 87          | 4117.687       | VENTILATION MOTOR        |                            |
| 94          | 4260.253       | HIGH TENSION TRANSFORMER |                            |
| 96          | 4032.883       | SAFETY THERMOSTAT        |                            |