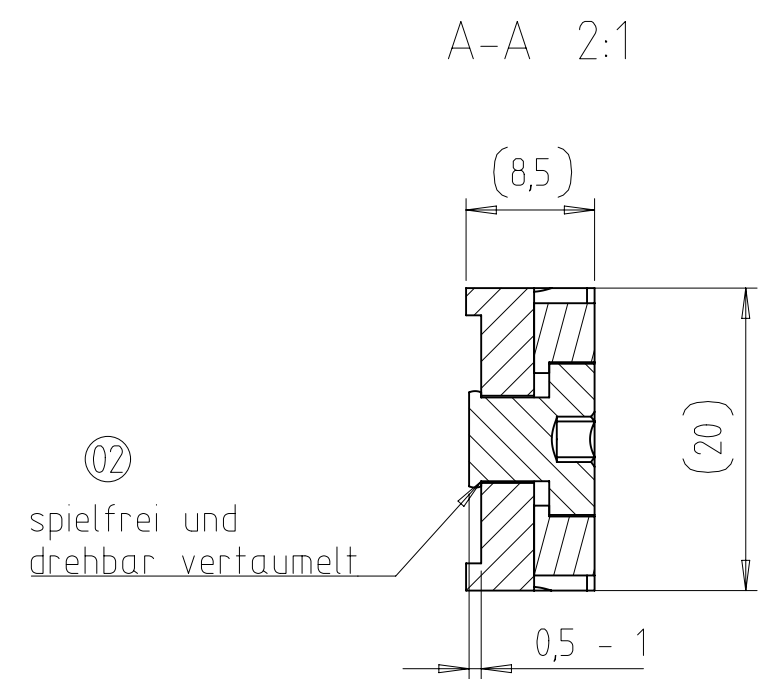
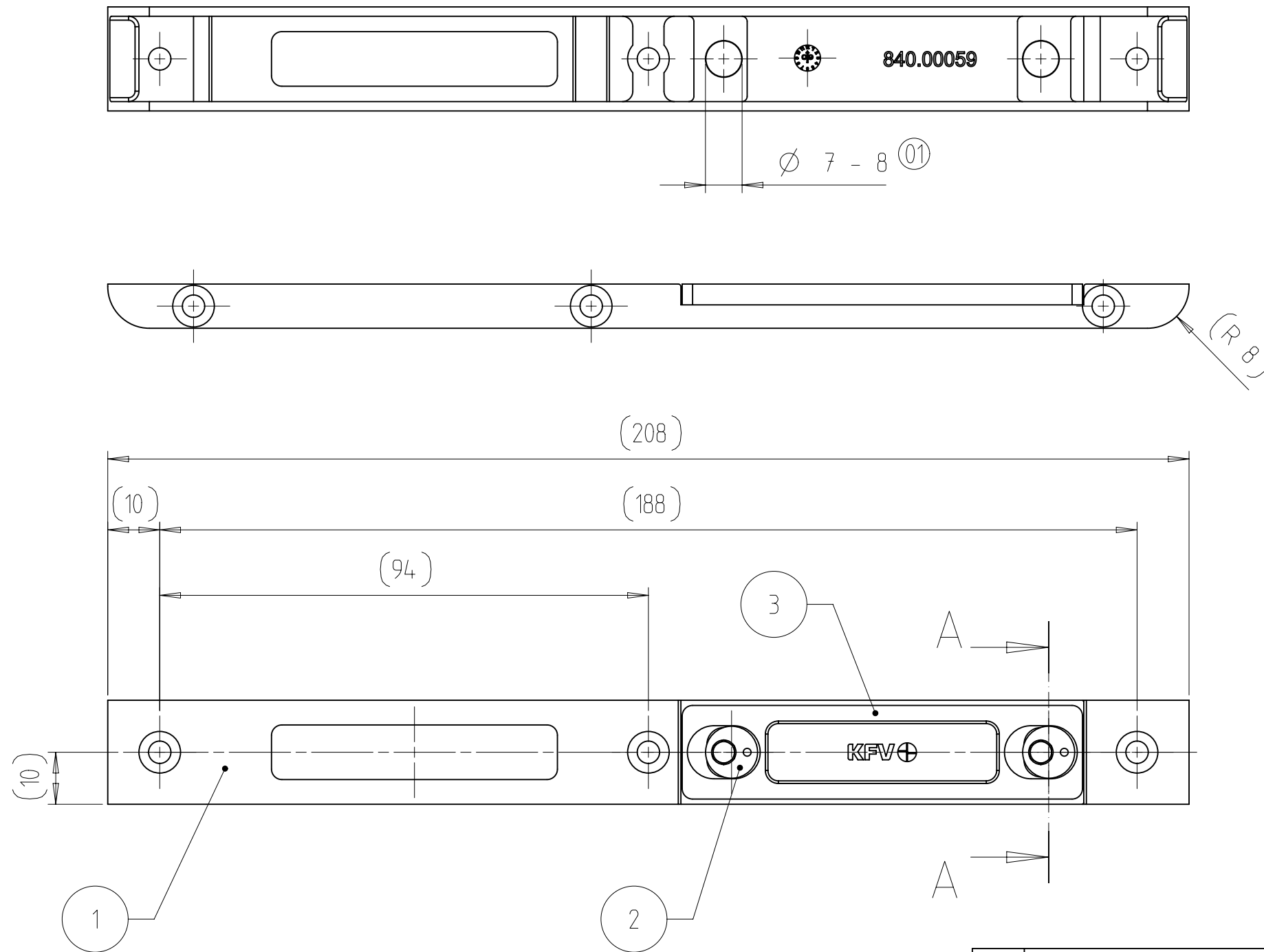


The Drawing and its contents are to be kept secret from third parties, particularly competitors. The drawing and documents which go with it are not to be duplicated either in local or extract, or used in other documentation without express approval (§15 and §18 UrHG - §1 and §18 UWG). A reservation of rights in accordance with §12 PatG is declared for the event that a patent is granted.



Tolerierung nach ISO 8015  
 Pos. 1 und 3 mit Pos. 2 vertaumelt

| 3           | Verstellplatte         | 1                          | 9.402.00063          | 000              |                 |      |
|-------------|------------------------|----------------------------|----------------------|------------------|-----------------|------|
| 2           | Rd_Exzenter_Stufendorn | 2                          | 9.714.00013          | 000              |                 |      |
| 1           | Flachschliessblech     | 1                          | 9.840.00059          | 000              |                 |      |
| Pos         | Benennung              | Stck                       | PDM-Nr.              | Teil             | Bemerk          |      |
| Qty.        | Type of Modification   | Taufelvorgabe hinzugefuegt |                      | ANT              | Drawn Waasels   |      |
| 1           |                        |                            |                      | Approved Waasels | Date 24.10.2017 |      |
| Volume /mm³ | Weight/g               | Material-No.               | Item-No.             | Tool-No.         |                 |      |
| 17032       | 133,425                |                            | 19-503V              |                  |                 |      |
|             |                        | Tolerance                  | Part-Description     |                  |                 |      |
|             |                        | ISO 2768 mK                | Flach- Schliessblech |                  |                 |      |
| Scale       |                        | Additional Notice          |                      |                  |                 |      |
| 1 : 1       |                        |                            |                      |                  |                 |      |
| Drawn       | M. Kaufmann            | <b>KFV</b>                 | Document No.         | Doc. Part No.    | Revision        |      |
| Date        | 16.02.2009             |                            | 7.840.00060          | 000              | 02              | 20   |
| Appr.       | P. Thode               |                            | Replacement for :    | Test procedure   |                 | Size |
| Date        | 17.02.2009             |                            | Replaced by :        |                  |                 | A3   |