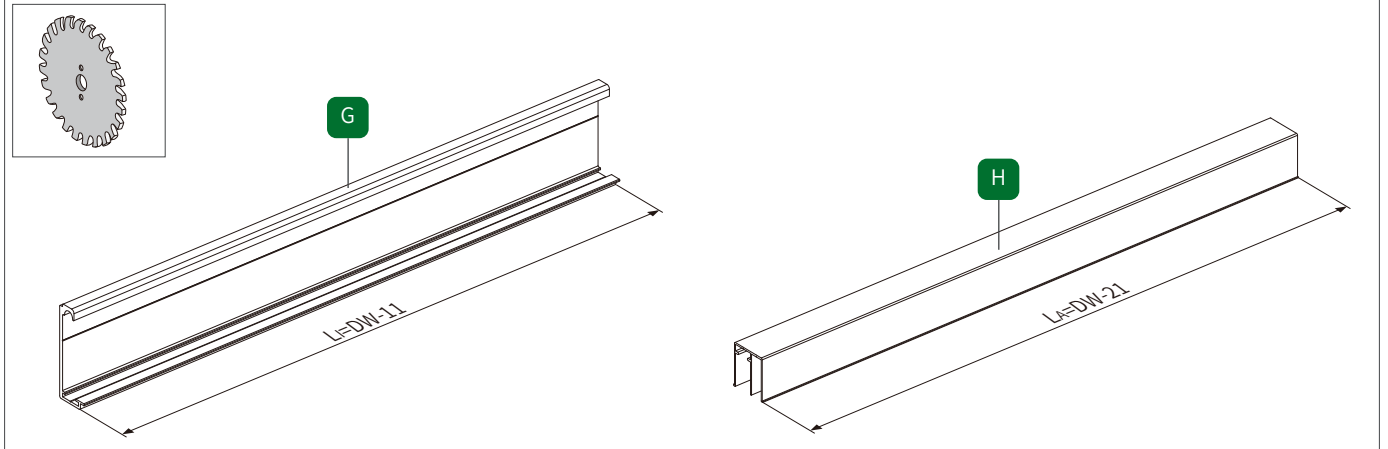
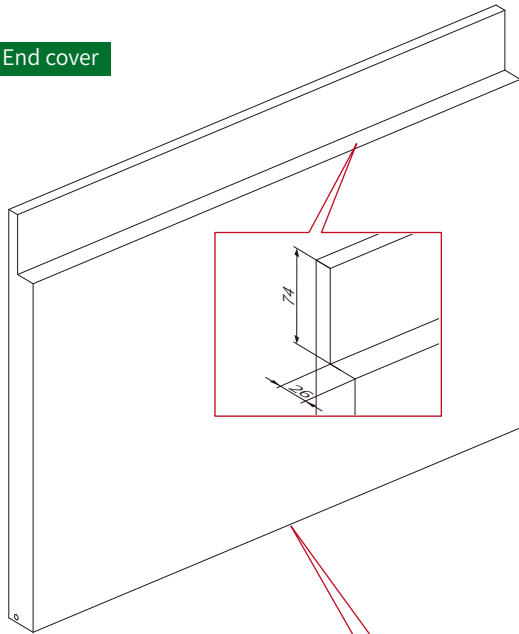


1 Cutting profiles

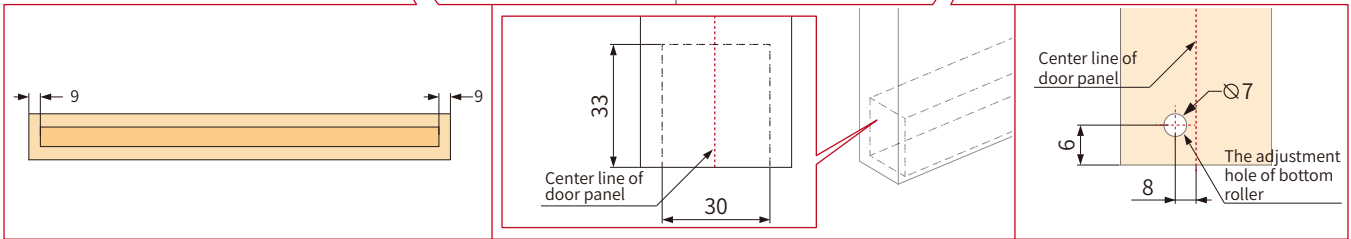
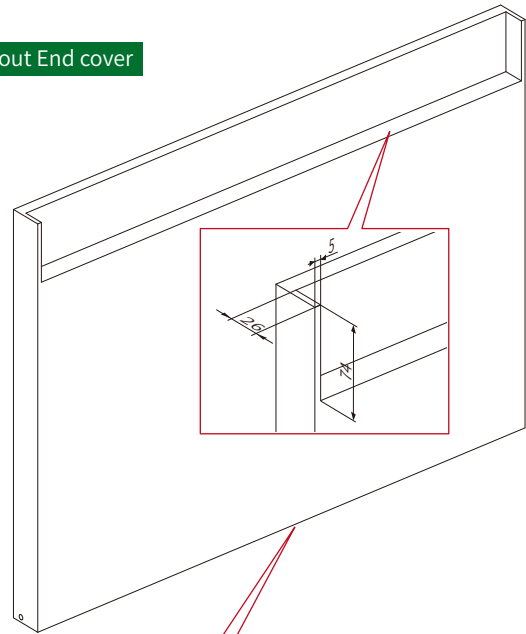


2 Door panel Slotting size

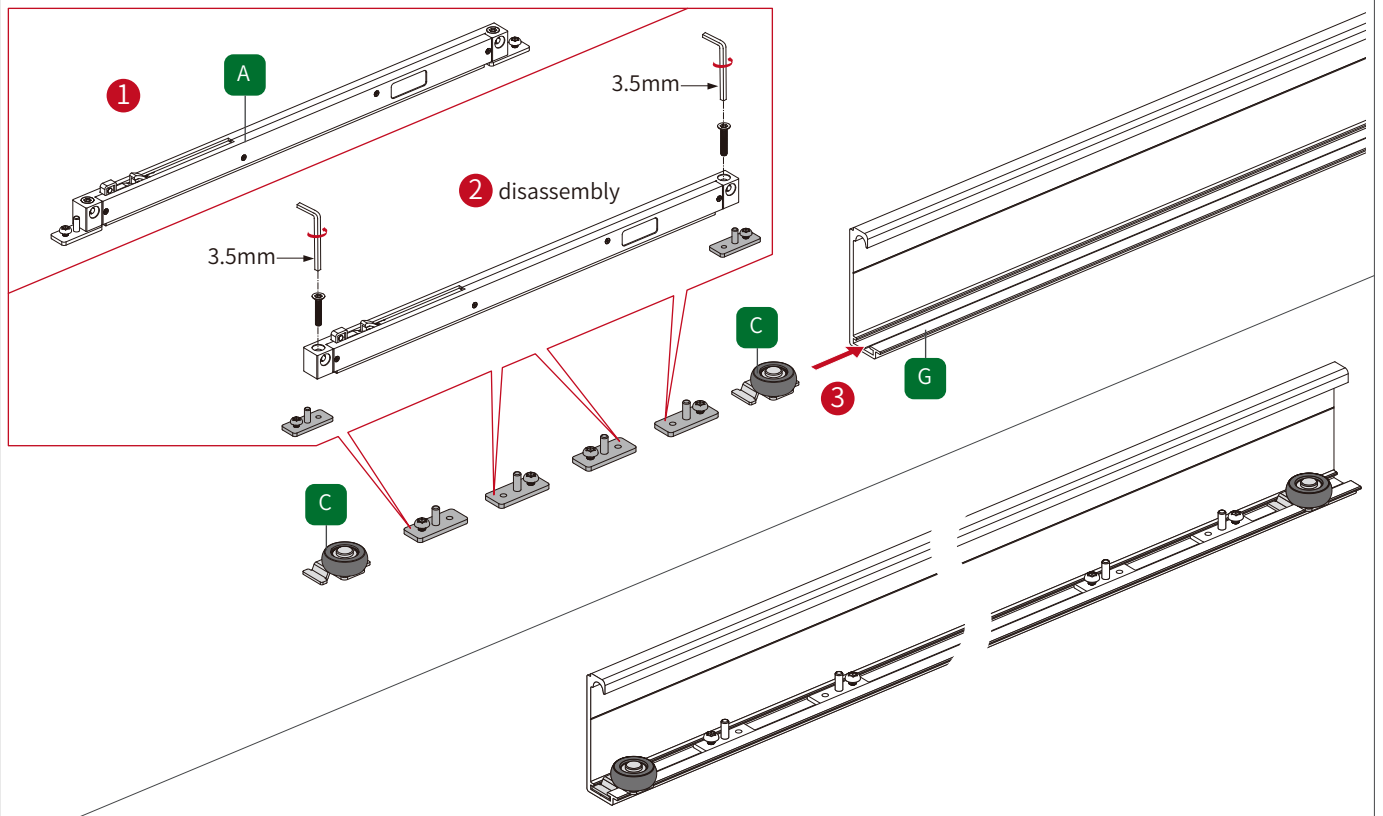
with End cover



without End cover

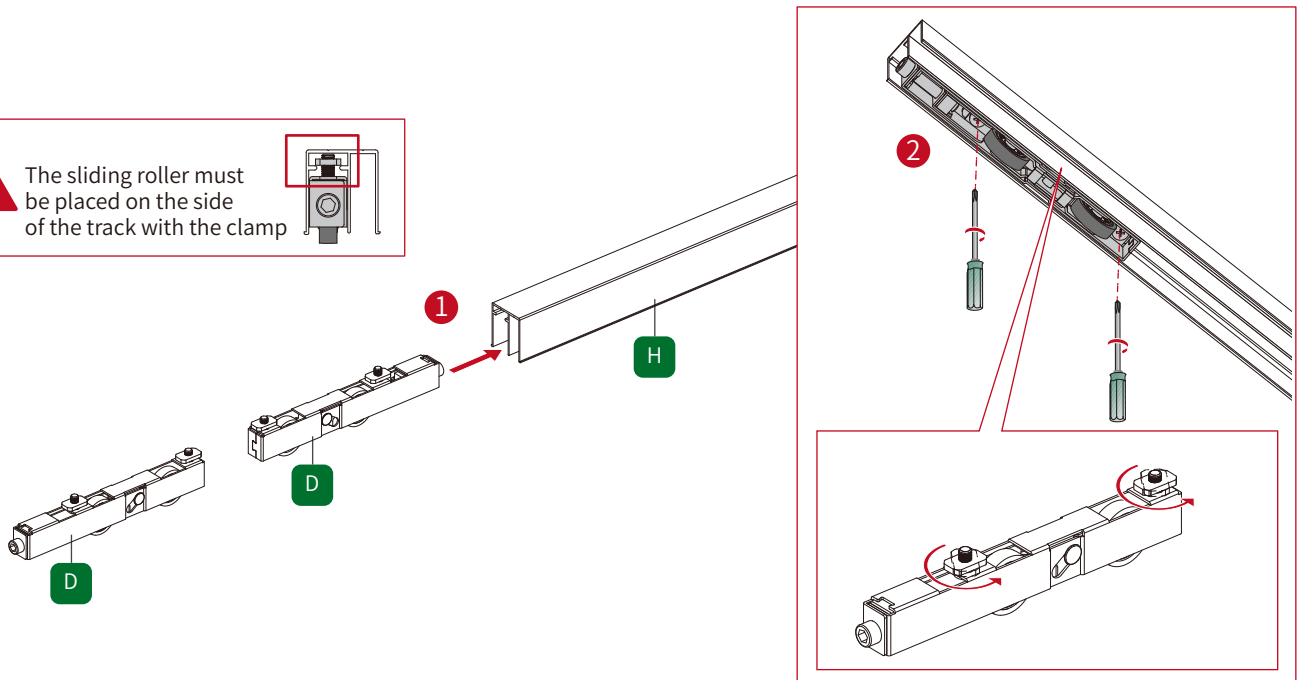


3 Install the top sliding track accessories

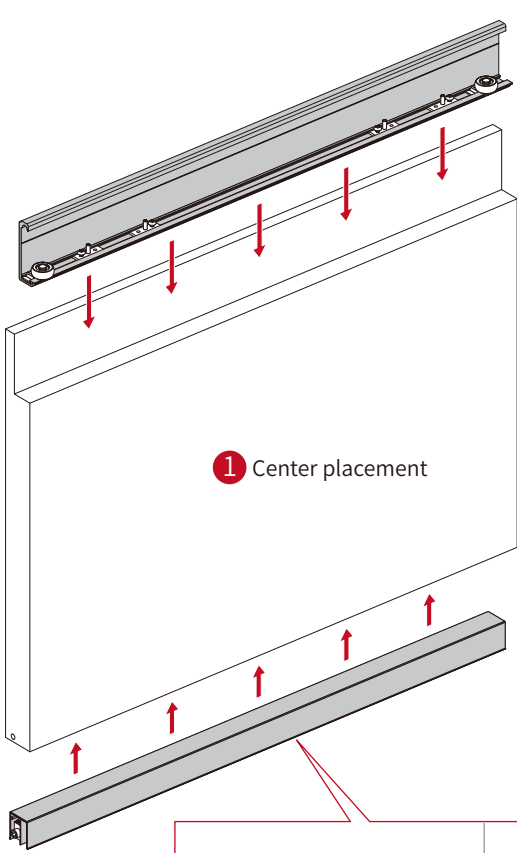


4 Install the bottom sliding roller

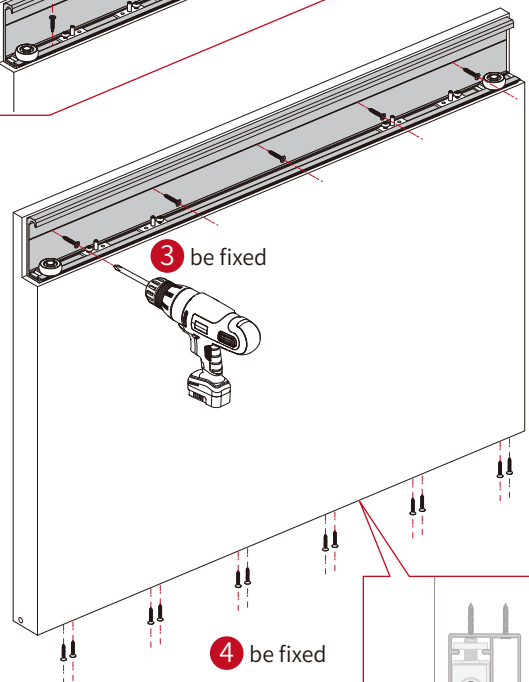
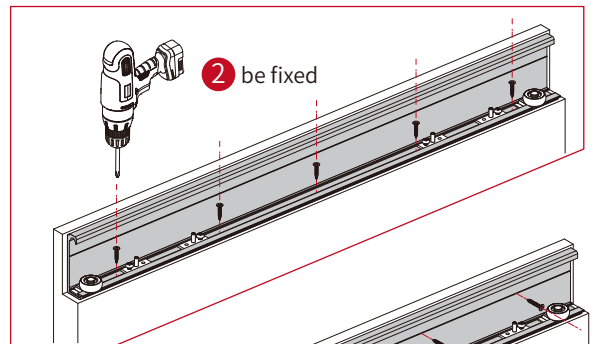
! The sliding roller must be placed on the side of the track with the clamp



5 Install top sliding track and bottom sliding track

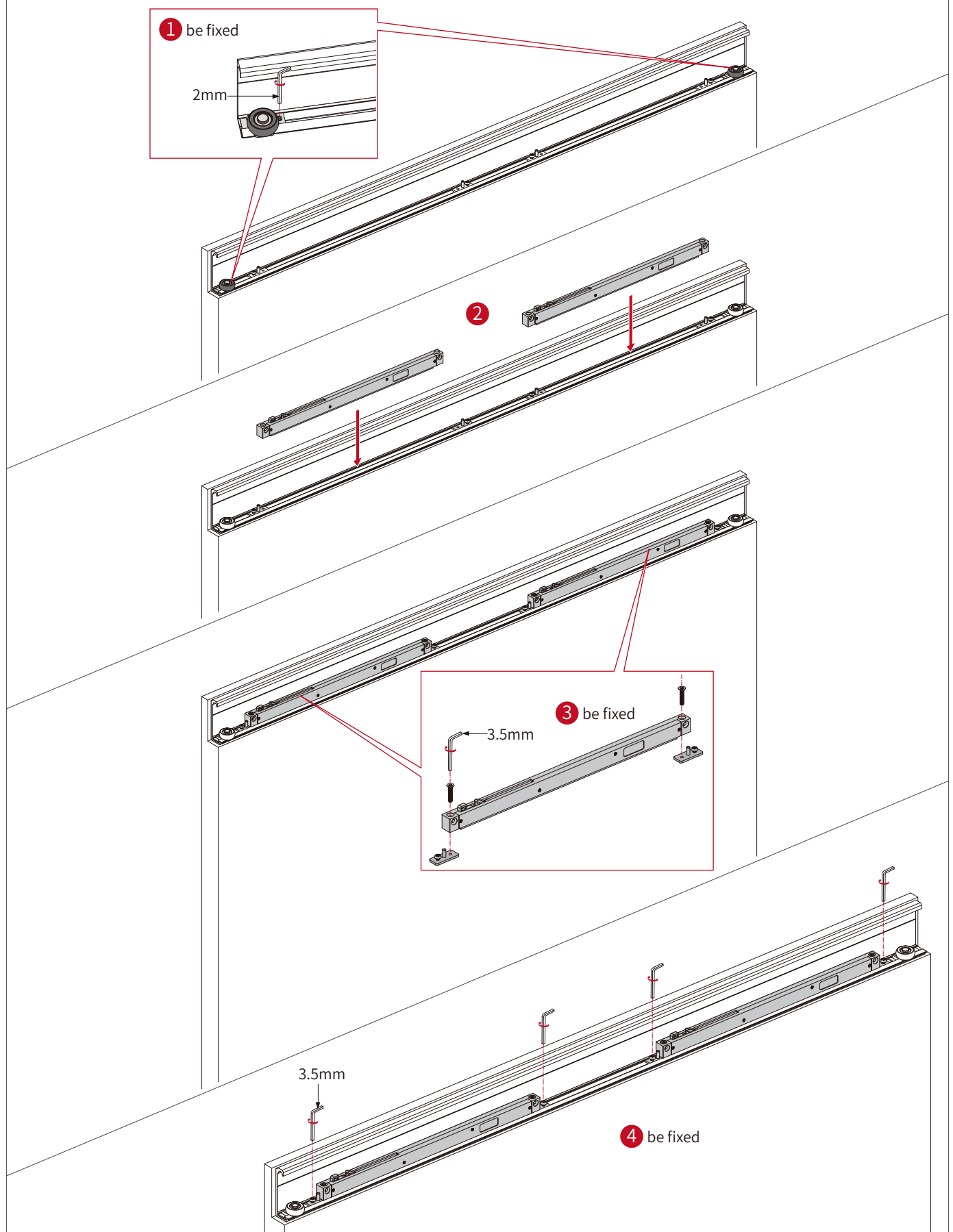


! The track with the slots must be in the direction of the holes

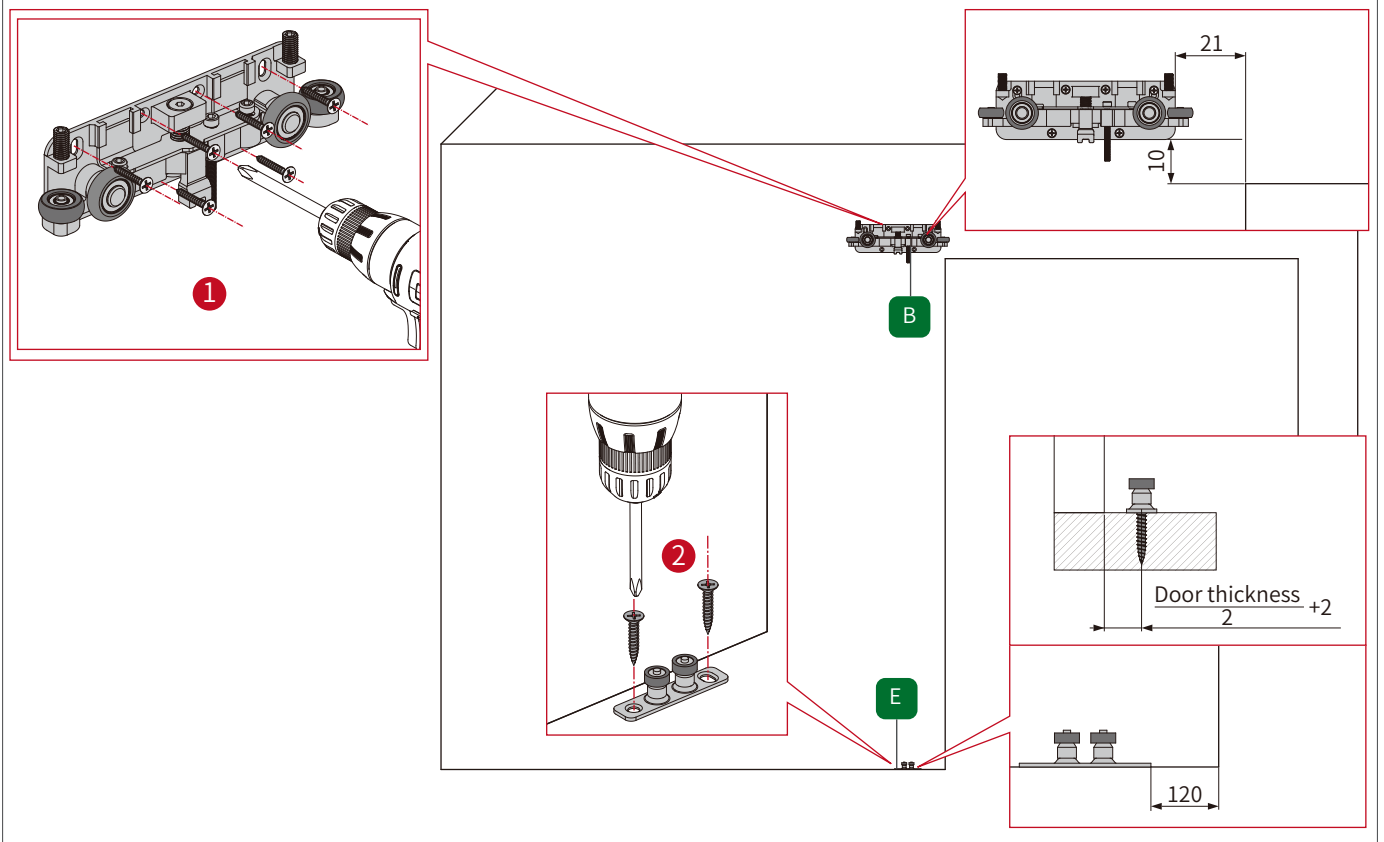


4 be fixed

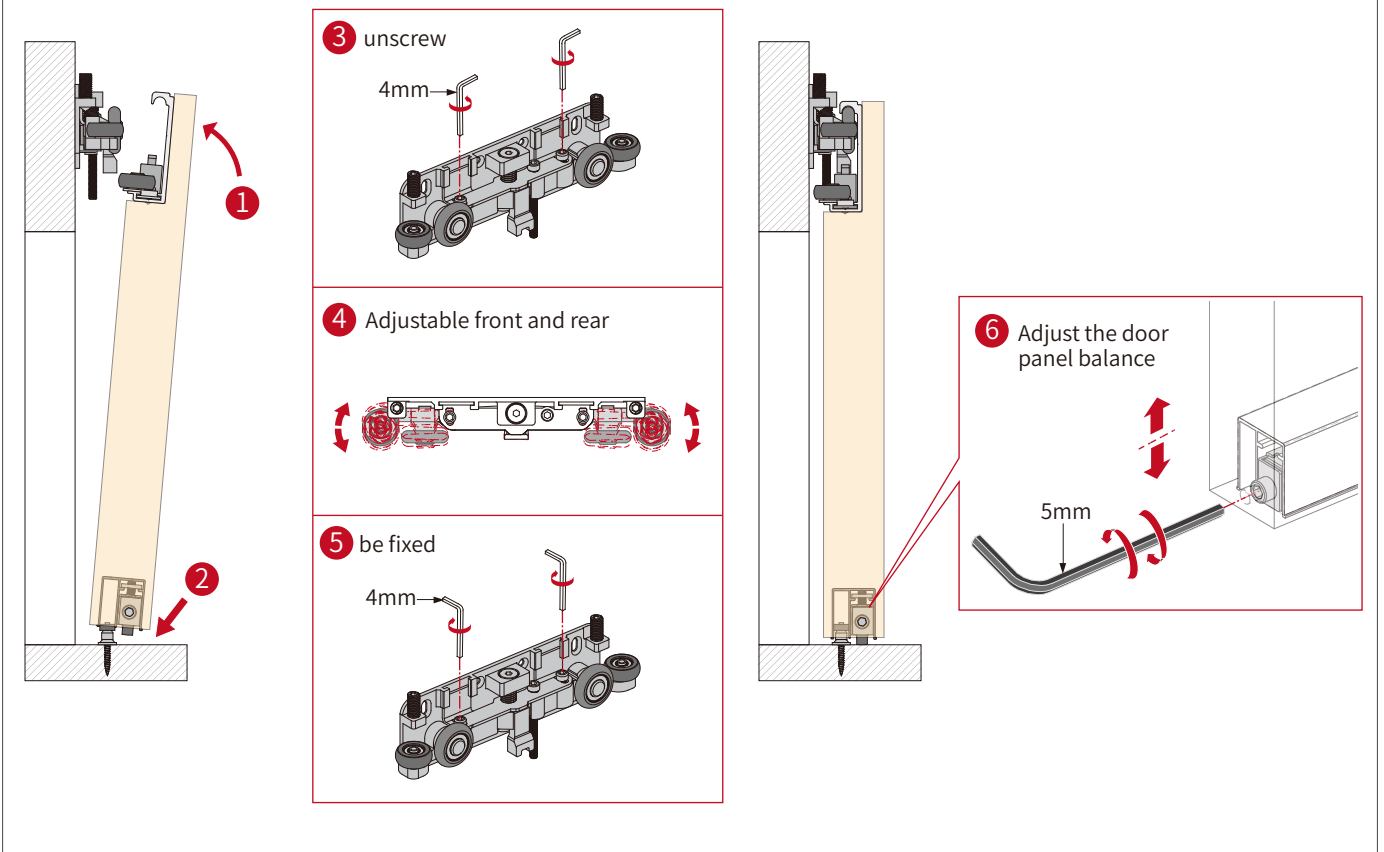
6 Install the door panel accessories



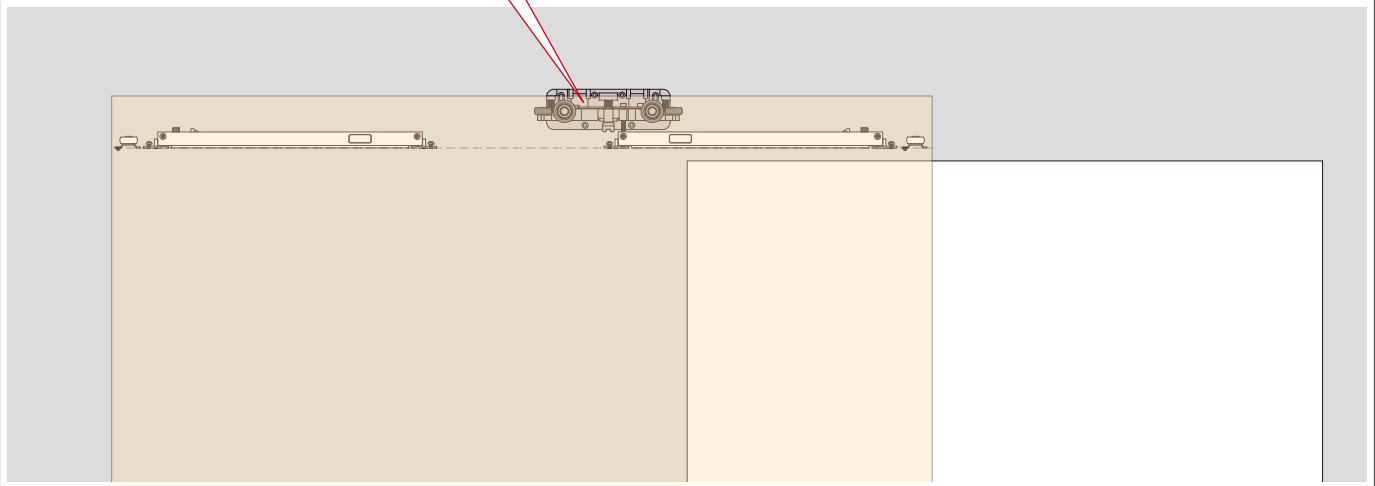
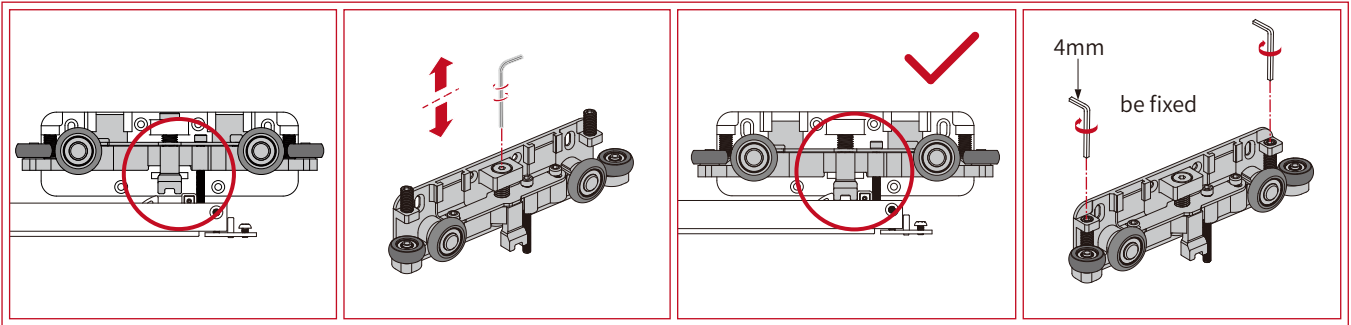
7 Install the door opening accessories



8 Install the door panel



9 Positioning damper



10 Install the side cover

