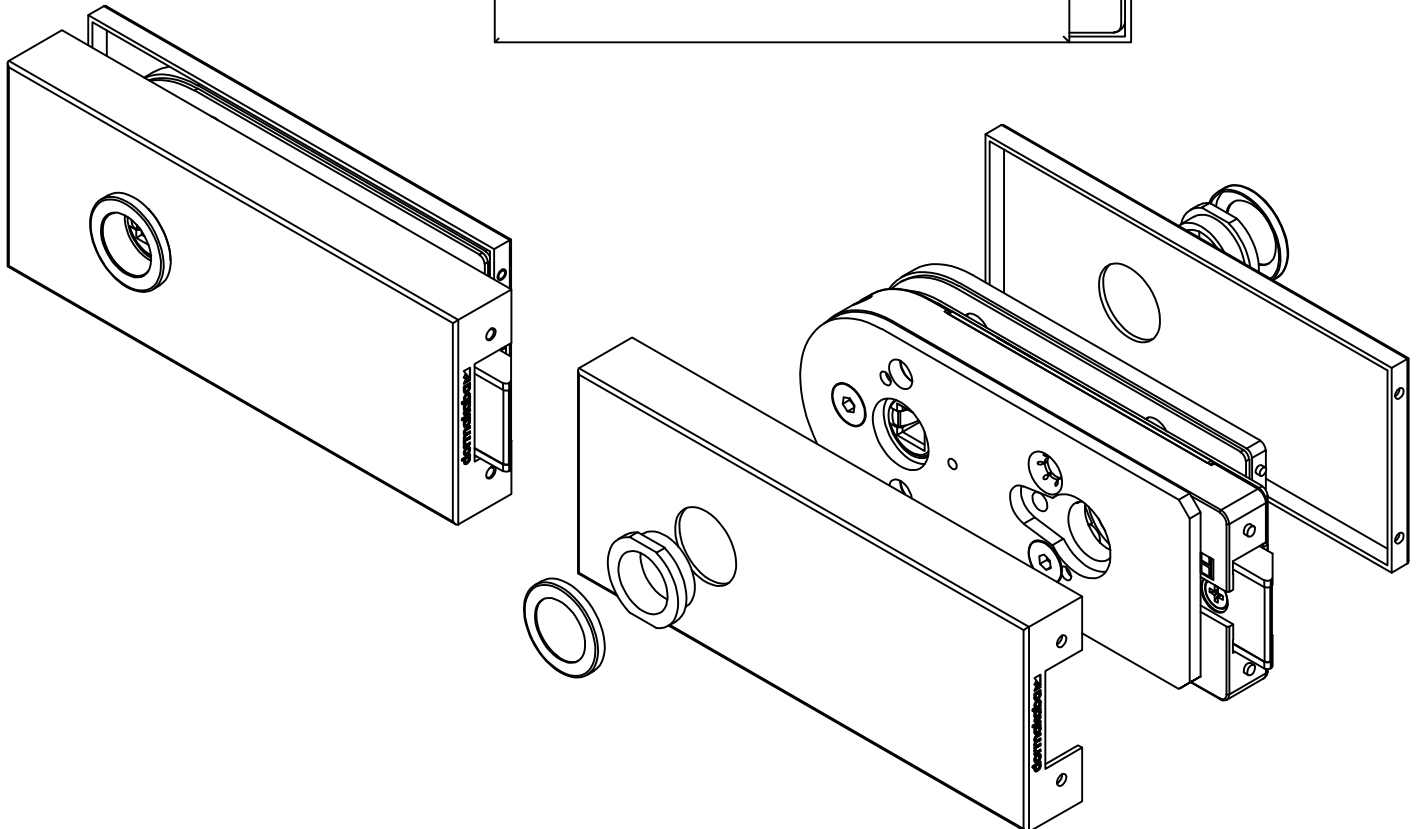
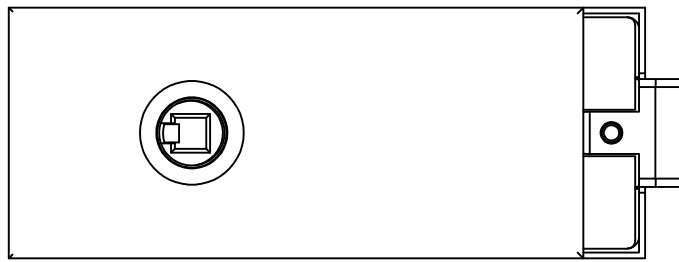
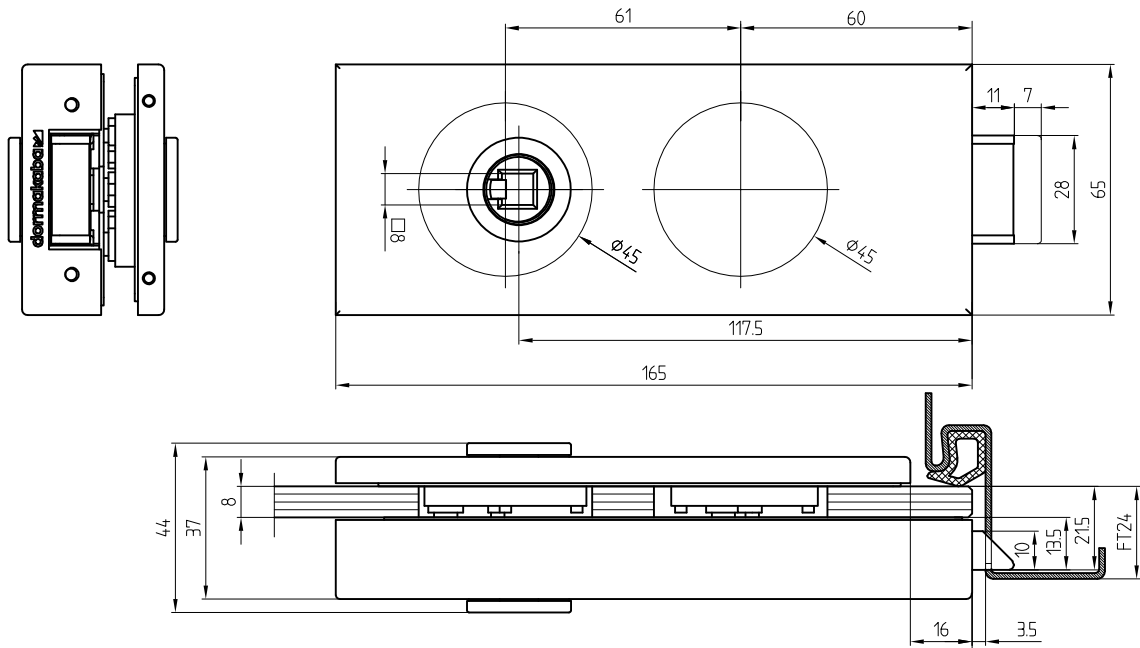


Art. No. 10.001



T:\SHARED\DEBEN\KONSTRUKTION\INTERNA\DETAIL\10\10-230.DWG