

# Milwaukee®

Nothing but **HEAVY DUTY**®



## **M18 FSAG115X** **M18 FSAG125X**

Original instructions

Originalbetriebsanleitung

Notice originale

Istruzioni originali

Manual original

Oorspronkelijke gebruiksaanwijzing

Original brugsanvisning

Original bruksanvisning

Bruksanvisning i original

Alkuperäiset ohjeet

Πρωτότυπο οδηγιών χρήσης

Orijinal işletme talimatı

Původním návodem k používání

Pôvodný návod na použitie

Instrukcją oryginalną

Eredeti használati utasítás

Izvirna navodila

Originalne pogonske upute

Instrukcijām oriģinālvalodā

Originali instrukcija

Alguräране kasutusjuhend

Оригинальное руководство по эксплуатации

Оригинално ръководство за експлоатация

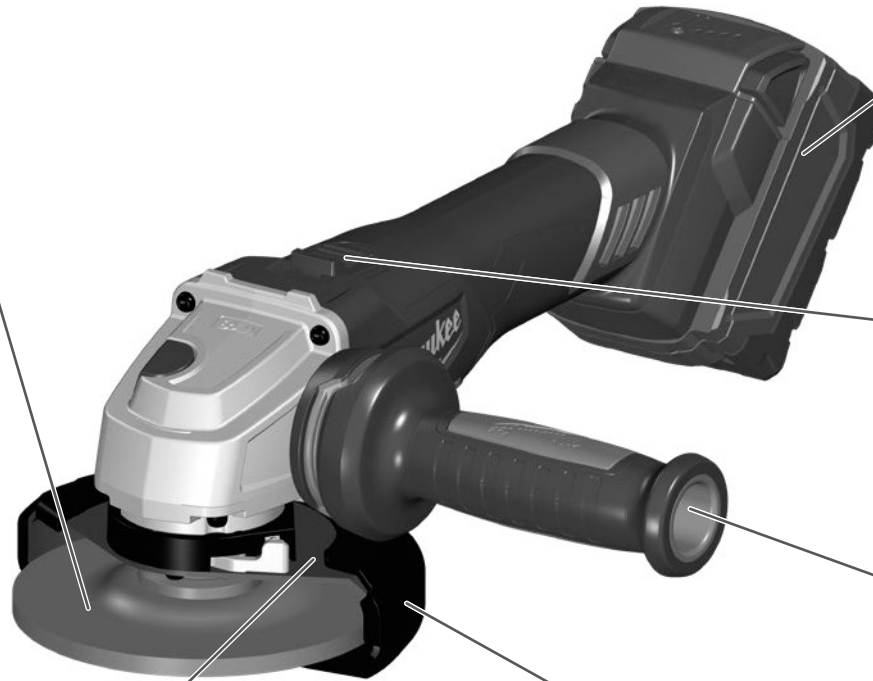
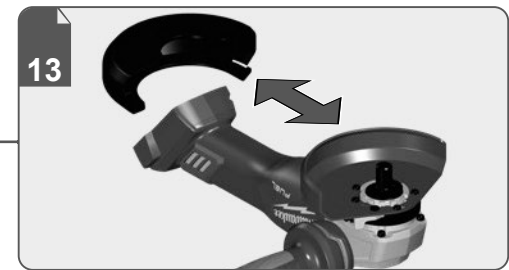
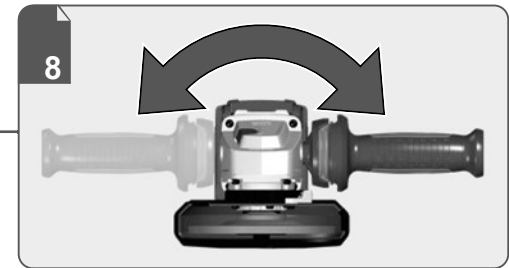
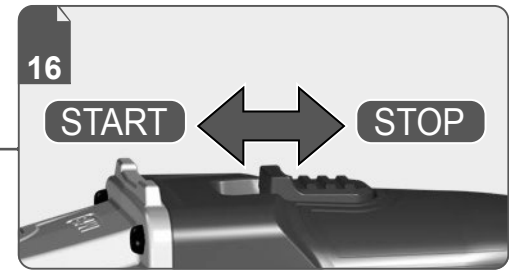
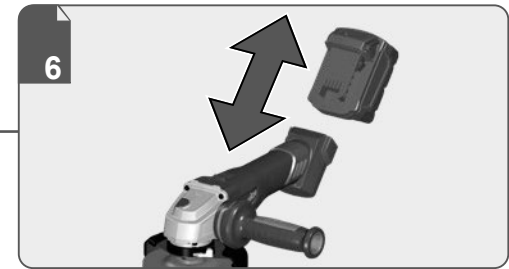
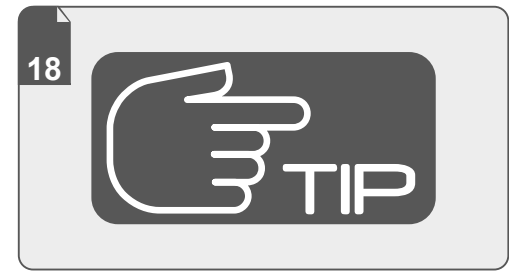
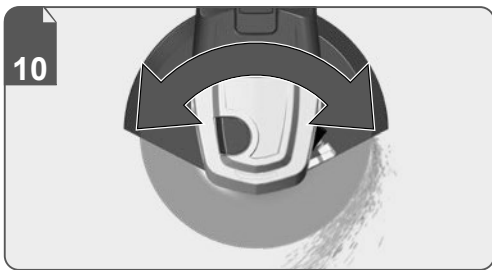
Instrucțiuni de folosire originale

Оригинален прирачник за работа

Оригінал інструкції з експлуатації

التعليمات الأصلية

<b>ENGLISH</b>	Picture section with operating description and functional description	Page	4	Text section with Technical Data, important Safety and Working Hints and description of Symbols	Page	19
<b>DEUTSCH</b>	Bildteil mit Anwendungs- und Funktionsbeschreibungen	Seite	4	Textteil mit Technischen Daten, wichtigen Sicherheits- und Arbeitshinweisen und Erklärung der Symbole.	Seite	23
<b>FRANÇAIS</b>	Partie imagée avec description des applications et des fonctions	Page	4	Partie textuelle avec les données techniques, les consignes importantes de sécurité et de travail ainsi que l'explication des pictogrammes.	Page	28
<b>ITALIANO</b>	Sezione illustrata con descrizione dell'applicazione e delle funzioni	Pagina	4	Sezione testo con dati tecnici, importanti informazioni sulla sicurezza e sull'utilizzo, spiegazione dei simboli.	Pagina	33
<b>ESPAÑOL</b>	Sección de ilustraciones con descripción de aplicación y descripción funcional	Página	4	Sección de texto con datos técnicos, indicaciones importantes de seguridad y trabajo y explicación de los símbolos.	Página	38
<b>PORTUGUES</b>	Parte com imagens explicativas contendo descrição operacional e funcional	Página	4	Parte com texto explicativo contendo Especificações técnicas, avisos de segurança e de operação e a descrição dos símbolos.	Página	43
<b>NEDERLANDS</b>	Beeldgedeelte met toepassings- en functiebeschrijvingen	Pagina	4	Tekstgedeelte met technische gegevens, belangrijke veiligheids- en arbeidsinstructies en verklaring van de symbolen.	Pagina	48
<b>DANSK</b>	Billedel med anvendelses- og funktionsbeskrivelser	Side	4	Tekstdel med tekniske data, vigtige sikkerheds- og arbejdsanvisninger og symbolforklaring.	Side	53
<b>NORSK</b>	Billedel med bruks- og funksjonsbeskrivelse	Side	4	Tekstdel med tekniske data, viktige sikkerhets- og arbeidsinstruksjoner og forklaring av symbolene.	Side	57
<b>SVENSKA</b>	Bilddel med användnings- och funktionsbeskrivning	Sidan	4	Textdel med tekniska informationer, viktiga säkerhets- och användningsinstruktioner samt symbolförklaringar.	Sidan	61
<b>SUOMI</b>	Kuvasivut käyttö- ja toimintakuvaus	Sivu	4	Tekstisivut: tekniset tiedot, tärkeät turvallisuus- ja työskentelyohjeet sekä merkkien selitykset.	Sivu	65
<b>ΕΛΛΗΝΙΚΑ</b>	Τμήμα εικόνων με περιγραφές χρήσης και λειτουργίας	Σελίδα	4	Τμήμα κειμένου με τεχνικά χαρακτηριστικά, σημαντικές υποδείξεις ασφαλείας και εργασίας και εξήγηση των συμβόλων.	Σελίδα	69
<b>TÜRKÇE</b>	Resim bölümü Uygulama ve fonksiyon açıklamaları ile birlikte	Sayfa	4	Teknik bilgileri, önemli güvenlik ve çalışma açıklamalarını ve de sembollerin açıklamalarını içeren metin bölümü.	Sayfa	74
<b>ČESKY</b>	Obrazová část s popisem aplikací a funkcí	Stránka	4	Textová část s technickými daty, důležitými bezpečnostními a pracovními pokyny a s vysvětlivkami symbolů	Stránka	79
<b>SLOVENSKY</b>	Obrazová část s popisom aplikácií a funkcií	Stránka	4	Textová časť s technickými dátami, dôležitými bezpečnostnými a pracovnými pokynmi a s vysvetlivkami symbolov	Stránka	83
<b>POLSKI</b>	Część rysunkowa z opisami zastosowania i działania	Strona	4	Część opisowa z danymi technicznymi, ważnymi wskazówkami dotyczącymi bezpieczeństwa i pracy oraz objaśnieniami symboli.	Strona	88
<b>MAGYAR</b>	Képes részalkalmazási- és működési leírásokkal	Oldal	4	Szöveges rész műszaki adatokkal, fontos biztonsági- és munkavégzési útmutatásokkal, valamint a szimbólumok magyarázata.	Oldal	93
<b>SLOVENSKO</b>	Del slikez opisom uporabe in funkcij	Stran	4	Del besedila s tehničnimi podatki, pomembnimi varnostnimi opozorili in delovnimi navodili in pojasnili simbolov.	Stran	98
<b>HRVATSKI</b>	Dio sa slikamasa opisima primjene i funkcija	Stranica	4	Dio štiva sa tehničkim podacima, važnim sigurnosnim i radnim uputama i objašnjenjem simbola.	Stranica	102
<b>LATVISKI</b>	Attēla daļa ar lietošanas un funkciju aprakstiem	Lappuse	4	Teksta daļa ar tehniskajiem parametriem, svarīgiem drošības un darbības norādījumiem, simbolu atšifrējumiem.	Lappuse	106
<b>LIETUVIŠKAI</b>	Paveikslėlio dalis su vartojimo instrukcija ir funkcijų aprašymais	Puslapis	4	Teksto dalis su techniniais duomenimis, svarbiomis saugumo ir darbo instrukcijomis bei simbolių paaiškinimais.	Puslapis	111
<b>EESTI</b>	Pildiosa kasutusjuhendi ja funktsioonide kirjeldusega	Lehekülg	4	Tekstiosa tehniliste näitajate, oluliste ohutus- ja tööjuhenditega ning sümbolite kirjeldustega.	Lehekülg	116
<b>РУССКИЙ</b>	Раздел иллюстраций с описанием эксплуатации и функций	Страница	4	Текстовый раздел, включающий технические данные, важные рекомендации по безопасности и эксплуатации, а также описание используемых символов.	Страница	120
<b>БЪЛГАРСКИ</b>	Част със снимки с описание за приложение и функции	Страница	4	Част с текст с технически данни, важни указания за безопасност и работа и разяснение на символите.	Страница	125
<b>ROMÂNĂ</b>	Secvența de imagine cu descrierea utilizării și a funcționării	Pagina	4	Porțiune de text cu date tehnice, indicații importante privind siguranța și modul de lucru și descrierea simbolurilor.	Pagina	130
<b>МАКЕДОНСКИ</b>	Дел со сликисо описи за употреба и функционирање	Страница	4	Текстуален дел со Технички карактеристики, важни безбедносни и работни упатства и објаснување на символите.	Страница	135
<b>УКРАЇНСЬКА</b>	Частина з зображеннями з описом робіт та функцій	Сторінка	4	Текстова частина з технічними даними, важливими вказівками з техніки безпеки та експлуатації і поясненням символів.	Сторінка	140
<b>عربي</b>	قسم الصور يوجد به الوصف التشغيلي والوظيفي	الصفحة	4	القسم النصي المزود بالبيانات الفنية والنصائح الهامة للسلامة والعمل ووصف الرموز	الصفحة	148





Remove the battery pack before starting any work on the machine.  
Vor allen Arbeiten an der Maschine den Wechselakku herausnehmen.

Avant tous travaux sur la machine retirer l'accu interchangeable.  
Prima di iniziare togliere la batteria dalla macchina.  
Retire la batería antes de comenzar cualquier trabajo en la máquina.  
Antes de efectuar cualquier intervención na máquina retirar o bloco acumulador.  
Voor alle werkzaamheden aan de machine de akku verwijderen.  
Ved arbejde inden i maskinen, bør batteriet tages ud.  
Ta ut vekselbatteriet før du arbeider på maskinen  
Drag ur batteripaket innan arbete utföres på maskinen.

Tarkista pistotulppa ja verkkojohto mahdollisilta vaurioilta. Viat saa korjata vain alan erikoismies.  
Πριν από κάθε εργασία στη μηχανή αφαιρείτε την ανταλλακτική μπαταρία.  
Aletin kendinde bir çalışma yapmadan önce kartuş aküyü çıkarın.

Před zahájením veškerých prací na vrtacím šroubováku vyjmout výměnný akumulátor.  
Pred každou pracou na stroji výměnný akumulátor vytiahnuť.  
Przed przystąpieniem do jakichkolwiek prac na elektronarzędziu należy wyjąć wkładkę akumulatorową.

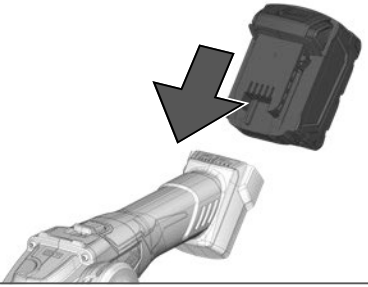
Karbantartás, javítás, tisztítás, stb. előtt az akkumulátort ki kell venni a készülékből.  
Pred deli na stroju izvlecite izmenljivi akumulator.  
Prije svih radova na stroju izvaditi bateriju za zamjenu.  
Pirms mašīnai veikt jebkāda veida apkopes darbus, ir jāizņem ārā akumulators.  
Prieš atlikdami bet kokius darbus įrenginyje, išimkite keičiamą akumuliatorių.

Enne kõiki töid masina kallal võtke vahetav aku välja.  
Выньте аккумулятор из машины перед проведением с ней каких-либо манипуляций.  
Predi započvane na kavkito e da e работи по машината извадете акумулатора.

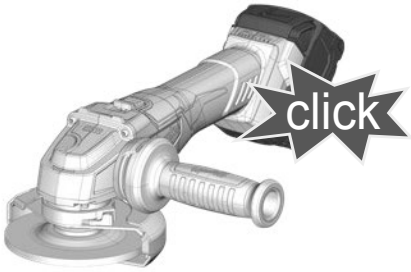
Scoateți acumulatorul înainte de a începe orice intervenție pe mașină.  
Отстранете ја батеријата пред да започнете да ја користите машината.  
Перед будь-якими роботами на машині вийняти змінну акумуляторну батарею.

قم بزالة حزمة البطارية قبل البدء في أي أعمال على الجهاز.

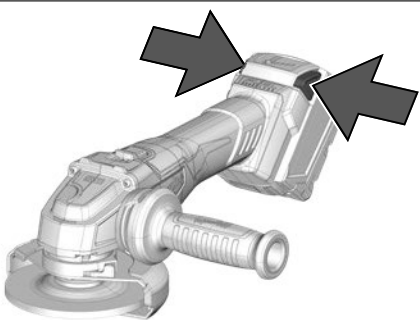
1



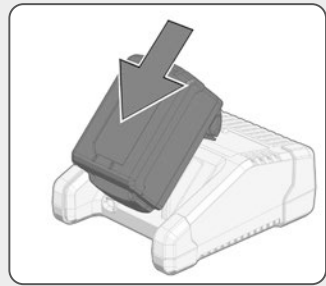
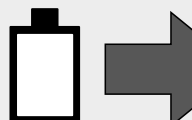
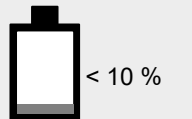
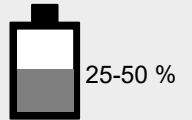
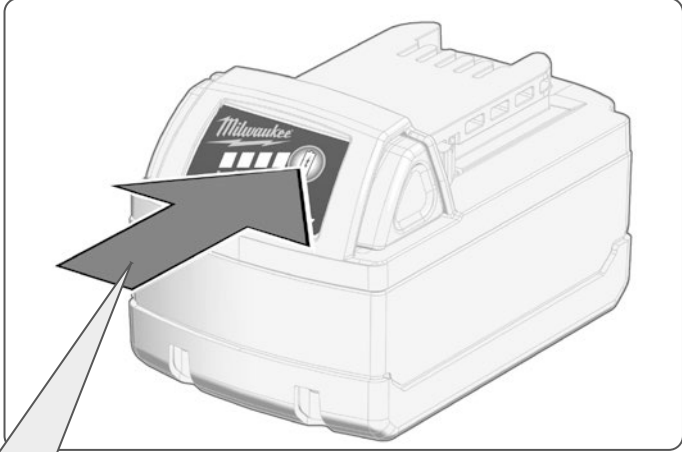
2

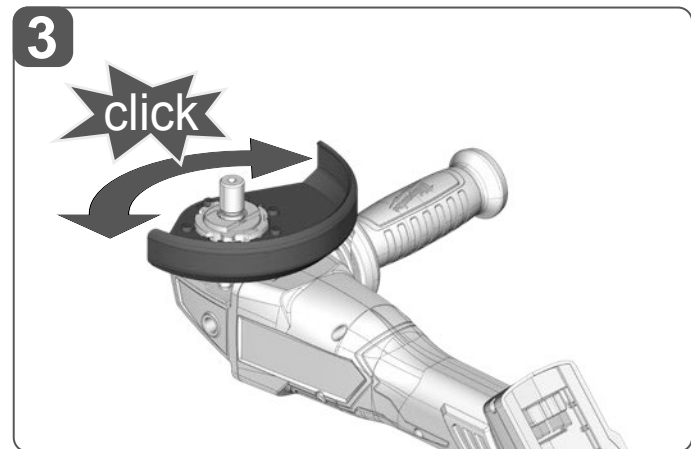
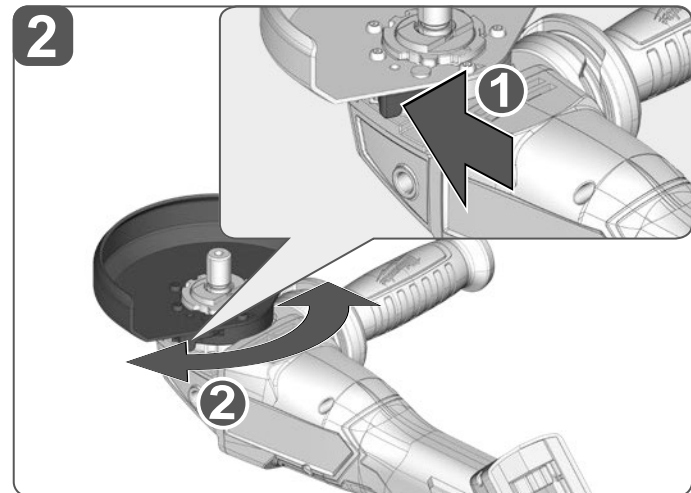
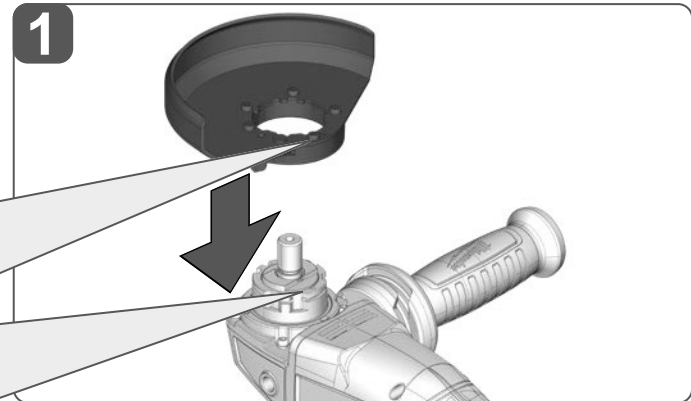
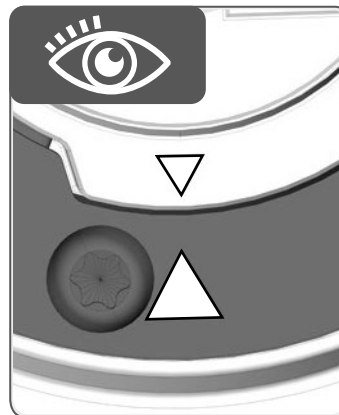
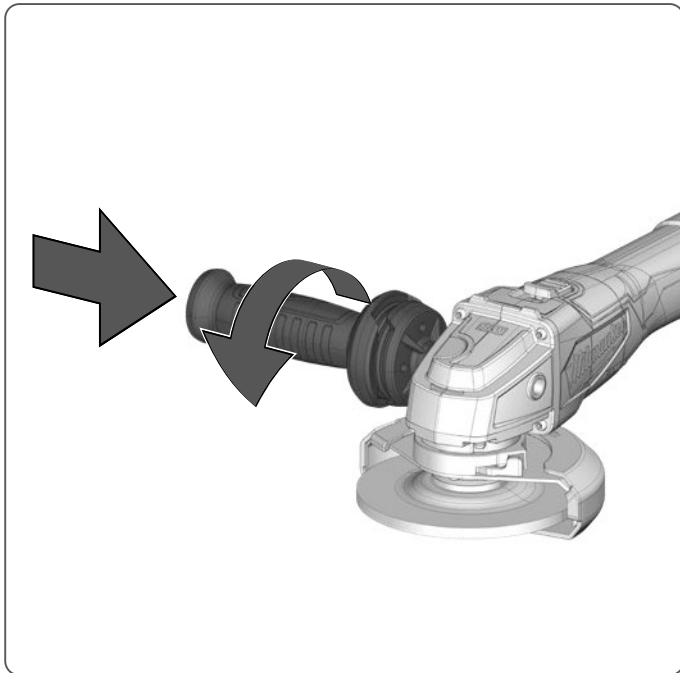
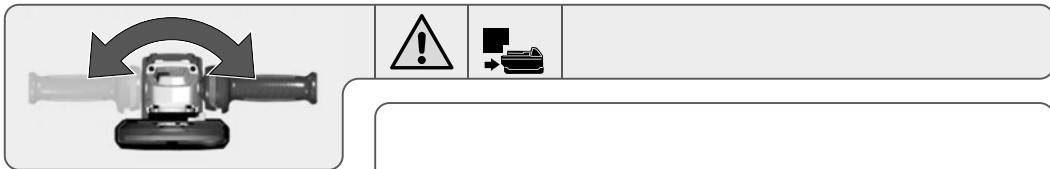


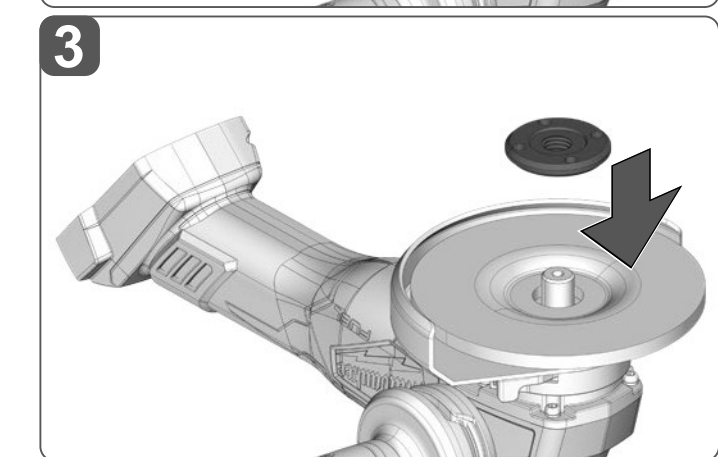
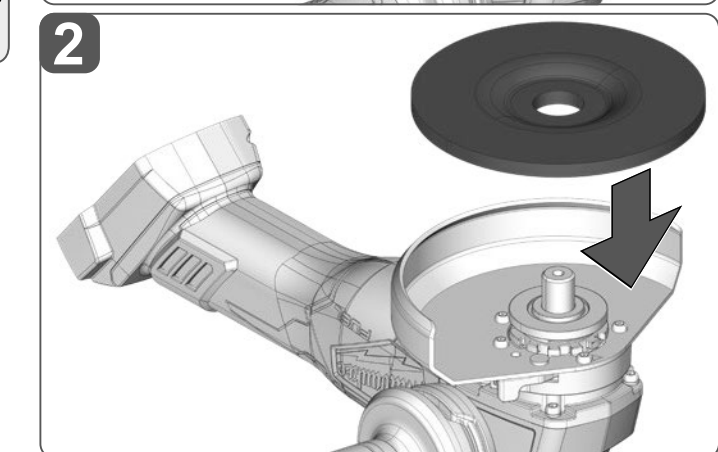
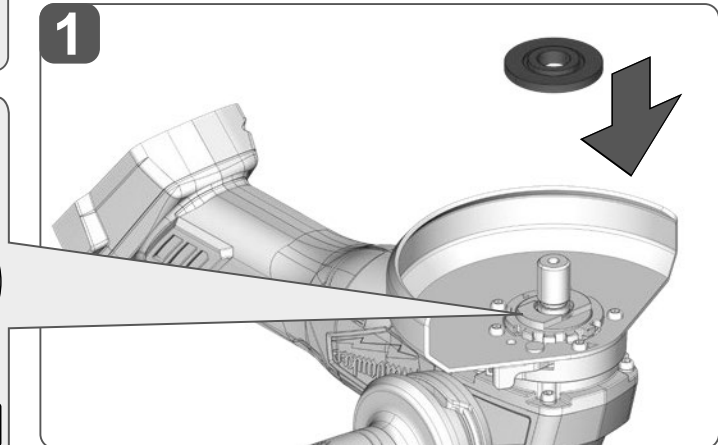
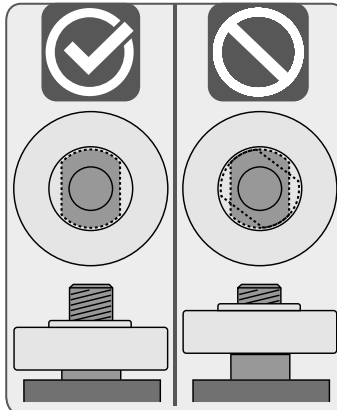
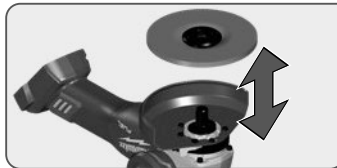
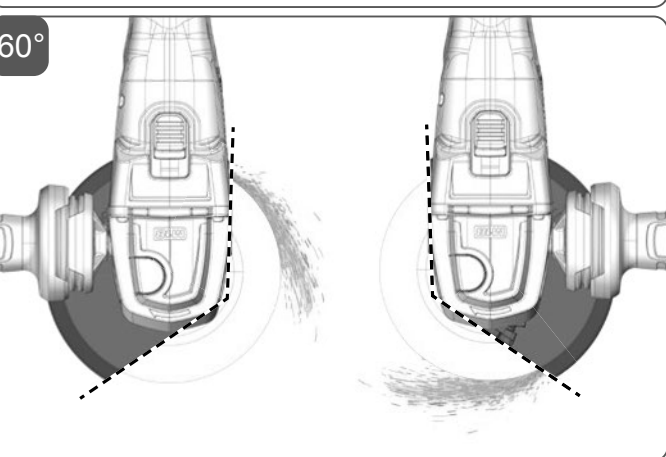
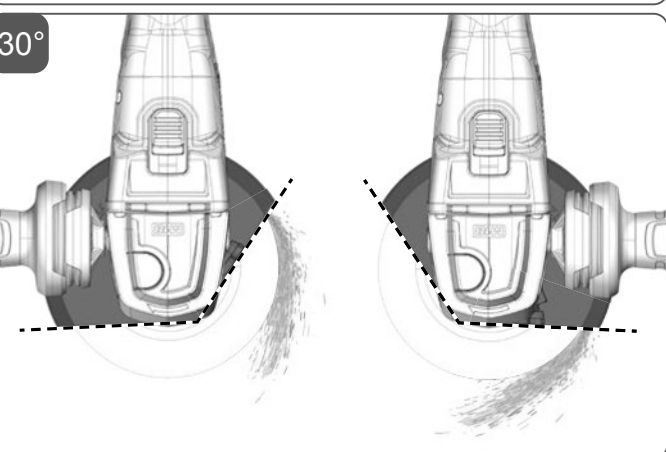
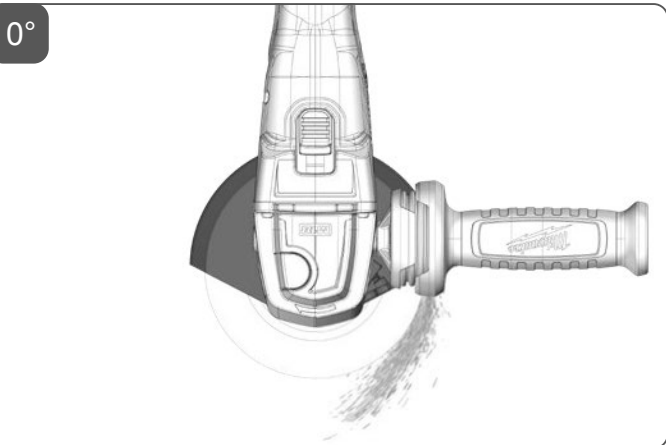
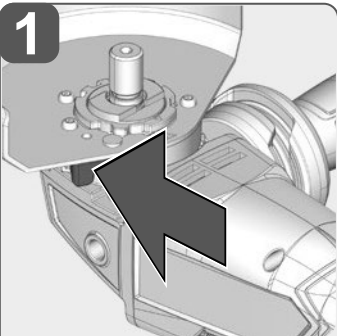
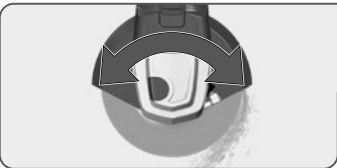
1

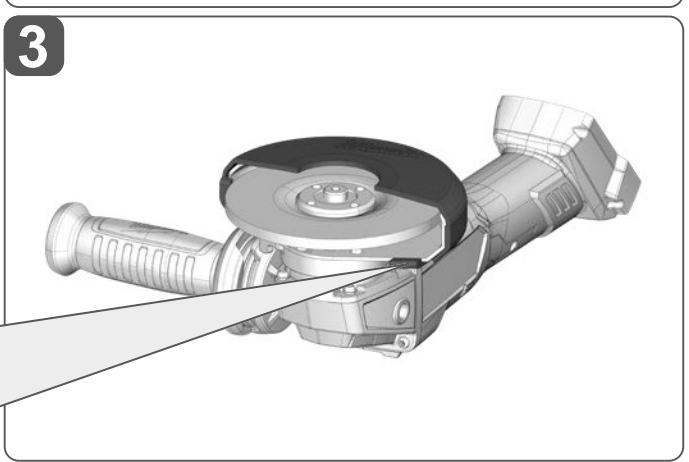
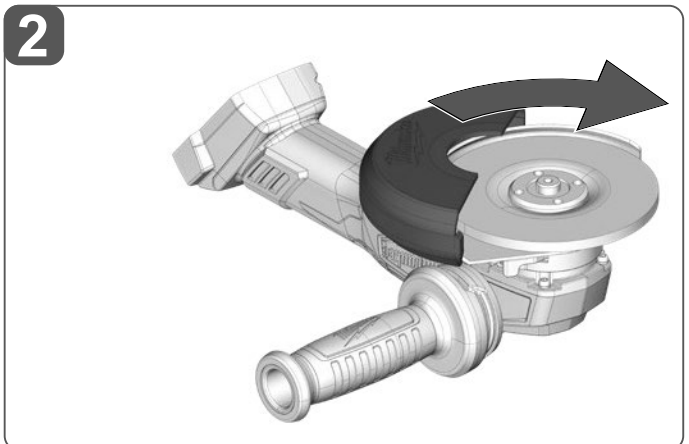
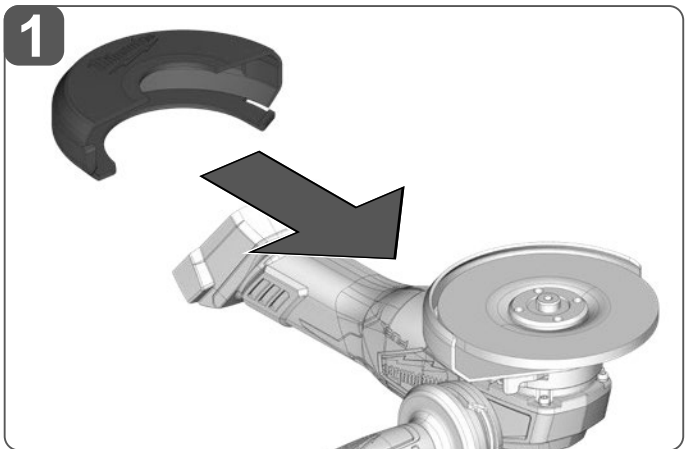
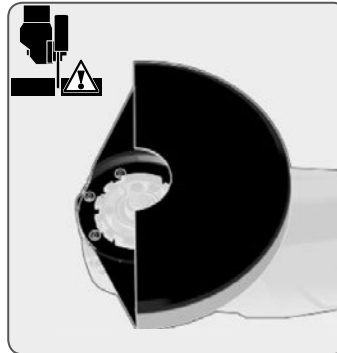
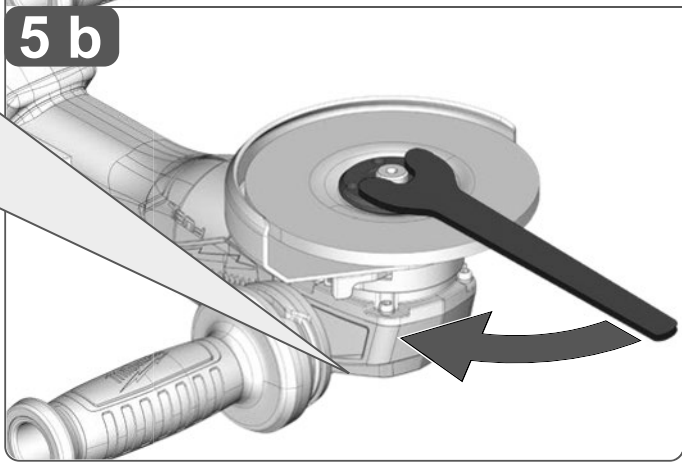
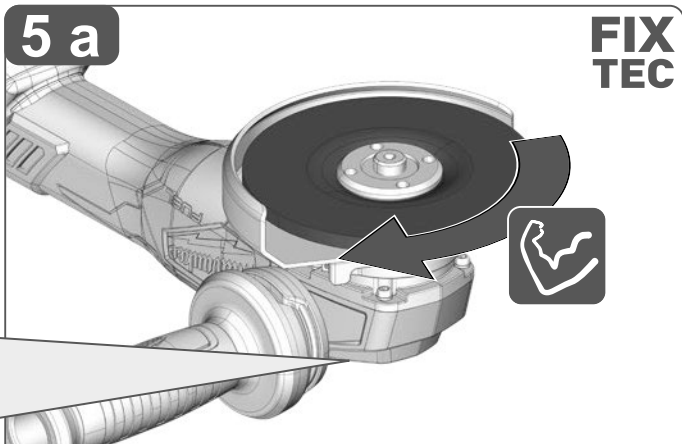
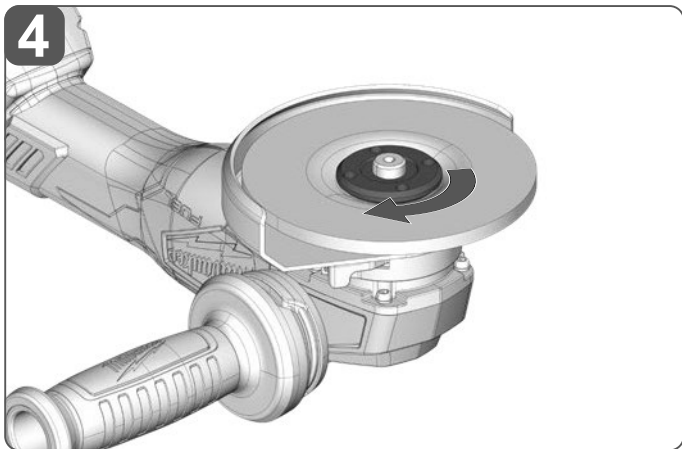
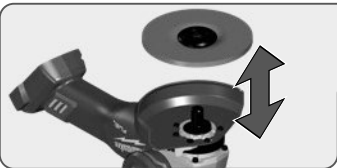


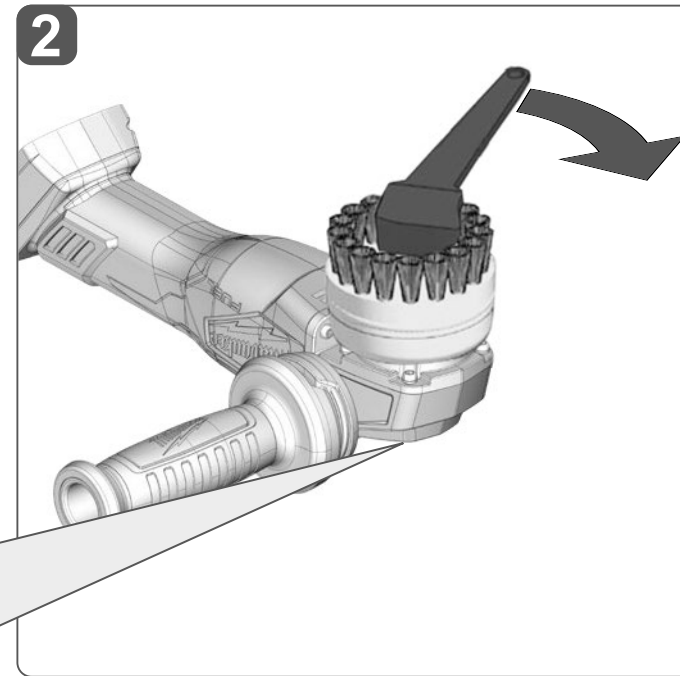
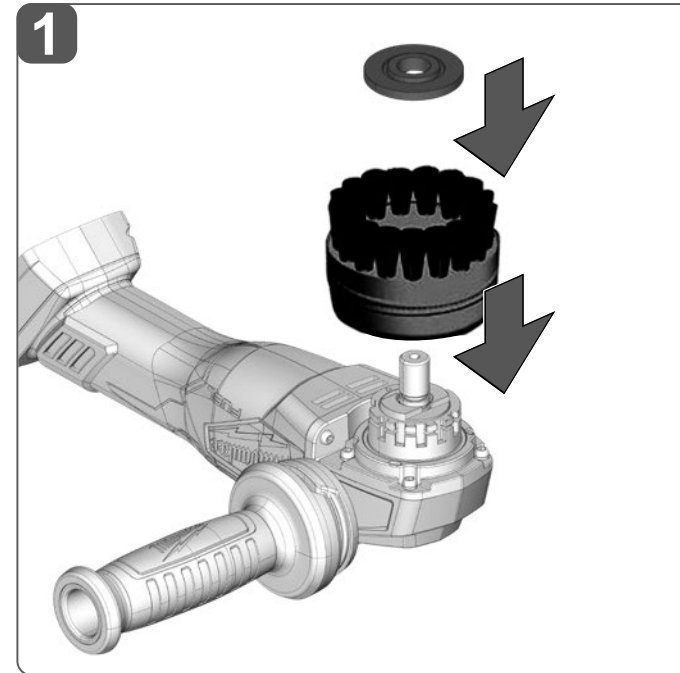
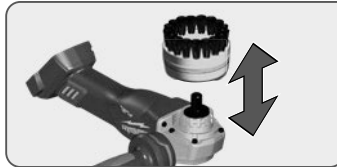
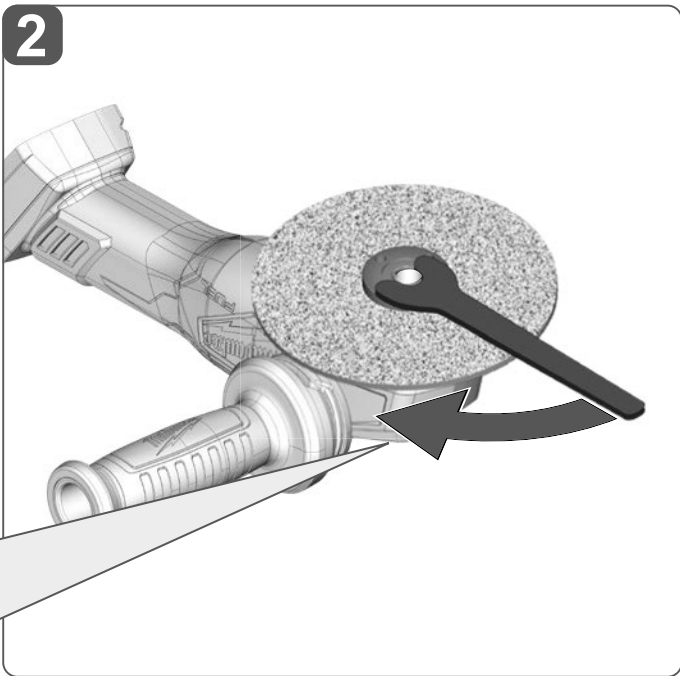
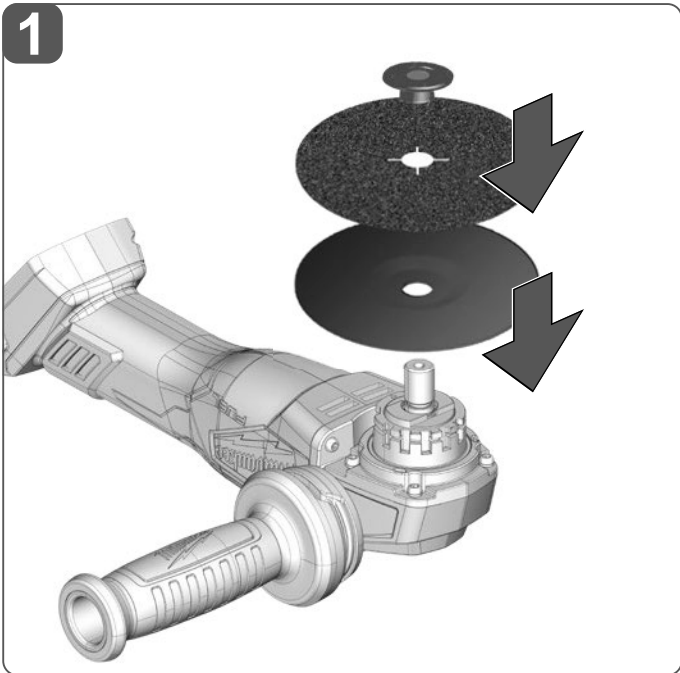
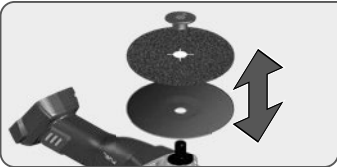
2



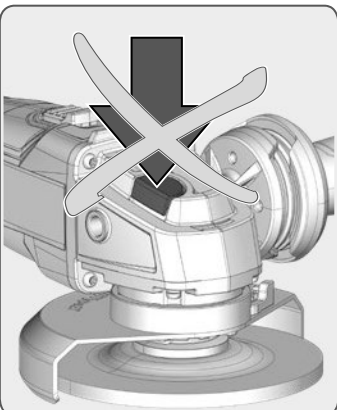
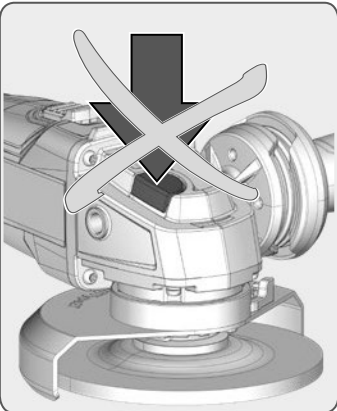
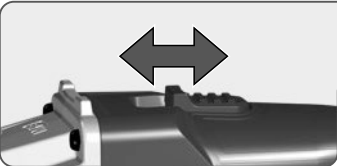




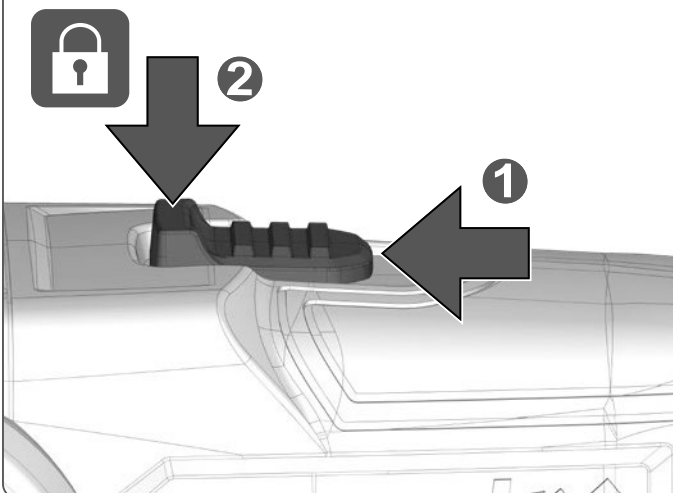




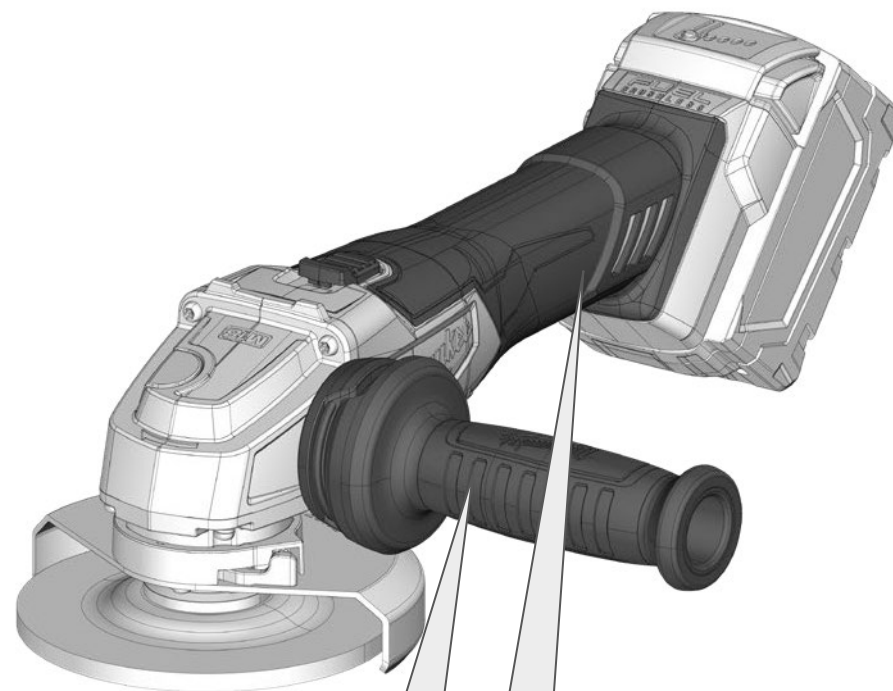
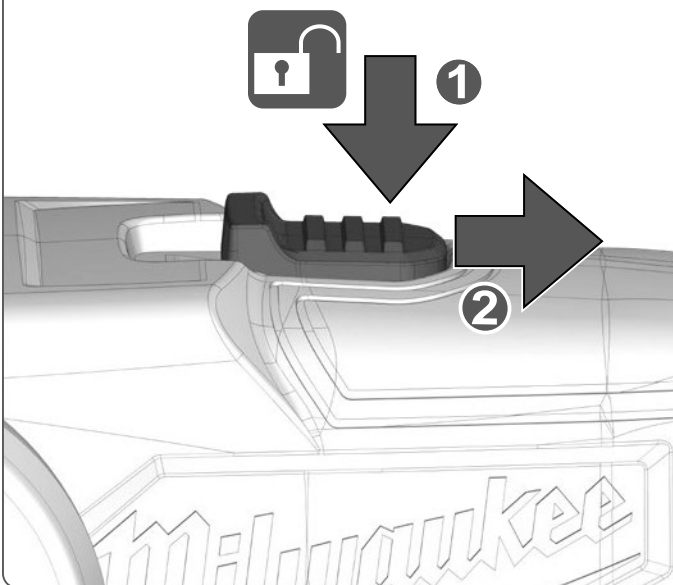




## START



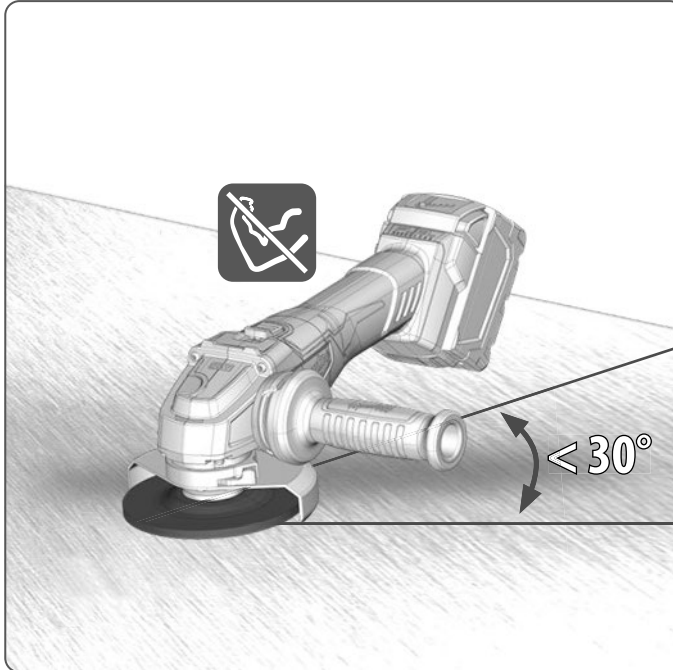
## STOP



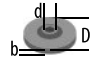
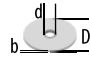


Insulated gripping surface  
 Isolierte Grifffläche  
 Surface de prise isolée  
 Superficie di presa isolata  
 Superficie de agarre con aislamiento  
 Superficie de pega isolada  
 Geïsoleerde handgrepen  
 Isolerede gribeflader  
 Isolert gripeflate  
 Isolerad greppyta  
 Eristetty tarttumapinta  
 Μονωμένη επιφάνεια λαβής

Izolasyonlu tutma yüzeyi  
 Izolovaná uchopovací plocha  
 Izolovaná úchopná plocha  
 Izolowana powierzchnia uchwytu  
 Szigetelt fogófelület  
 Izolirana prijemalna površina  
 Izolirana površina za držanje  
 Izolēta satveršanas virsma  
 Izoliuotas rankenos paviršius  
 Isoleeritud pideme piirkond  
 Изолированная поверхность ручки  
 Изолирана повърхност за хващане

Suprafață de prindere izolată  
 Изолирана површина на дршката  
 Изольована поверхня ручки  
 مساحة المقبض معزولة



#### TECHNICAL DATA

	M18 FSAG115X	M18 FSAG125X
Type	Cordless Angle Grinder	Cordless Angle Grinder
Production code	4830 49 01 XXXXXX MJJJ	4830 56 01 XXXXXX MJJJ
Battery voltage	18 V	18 V
Rated speed	8500 min <sup>-1</sup>	8500 min <sup>-1</sup>
Thread of work spindle	M14	M14
D=Grinding disc diameter max.	115 mm	125 mm
d=Grinding disc hole diameter	22,2 mm	22,2
 b=Grinding disc thickness max.	6 mm	6 mm
 b=Cutting disc thickness max. / min.	3 mm / 1 mm	3 mm / 1 mm
 D=Sanding disc diameter max.	115 mm	125 mm
 D=Wiring brush diameter max.	75 mm	75 mm
Weight according EPTA-Procedure 01/2014 (Li-Ion 2,0 Ah ... 12,0 Ah)	2,4 ... 3,4 kg	2,4 ... 3,5 kg
Recommended Ambient Operating Temperature	-18 ... +50 °C	
Recommended battery types	M18B...; M18HB...	
Recommended charger	M12-18...; M1418C6	
<b>Noise information:</b> Measured values determined according to EN 60745. Typically, the A-weighted noise levels of the tool are:		
Sound pressure level / Uncertainty K	82,7 dB(A) / 3 dB(A)	82,7 dB(A) / 3 dB(A)
Sound power level / Uncertainty K	93,7 dB(A) / 3 dB(A)	93,7 dB(A) / 3 dB(A)
<b>Wear ear protectors!</b>		
<b>Vibration information:</b> Vibration total values (triaxial vector sum) determined according to EN 60745.		
Vibration emission value a <sub>h</sub> / Uncertainty K		
Surface grinding	4,8 m/s <sup>2</sup> / 1,5 m/s <sup>2</sup>	5,5 m/s <sup>2</sup> / 1,5 m/s <sup>2</sup>
Disc sanding	1,1 m/s <sup>2</sup> / 1,5 m/s <sup>2</sup>	1,9 m/s <sup>2</sup> / 1,5 m/s <sup>2</sup>

For other applications, e.g. Abrasive Cutting-Off Operations or Wire Brushing other vibration values could occur.

#### **WARNING!**

The vibration and noise emission level given in this information sheet has been measured in accordance with a standardized test given in EN 60745 and may be used to compare one tool with another. It may be used for a preliminary assessment of exposure.

The declared vibration and noise emission level represents the main applications of the tool. However if the tool is used for different applications, with different accessories or poorly maintained, the vibration and noise emission may differ. This may significantly increase the exposure level over the total working period.

An estimation of the level of exposure to vibration and noise should also take into account the times when the tool is switched off or when it is running but not actually doing the job. This may significantly reduce the exposure level over the total working period.

Identify additional safety measures to protect the operator from the effects of vibration and/or noise such as: maintain the tool and the accessories, keep the hands warm, organization of work patterns.

**WARNING!** Read all safety warnings and all instructions. Failure to follow the warnings and instructions may result in electric shock, fire and/or serious injury.

Save all warnings and instructions for future reference.

#### ANGLE GRINDER SAFETY WARNINGS

**Safety Warnings Common for Grinding, Sanding, Wire Brushing or Abrasive Cutting-Off Operations:**

**a) This power tool is intended to function as a grinder, sander, wire brush or cut-off tool. Read all safety warnings, instructions, illustrations and specifications provided with this power tool. Failure to follow all instructions listed below may result in electric shock, fire and/or serious injury.**

**b) Operations such as polishing are not recommended to be performed with this power tool. Operations for which the power tool was not designed may create a hazard and cause personal injury.**

**c) Do not use accessories which are not specifically designed and recommended by the tool manufacturer. Just because the accessory can be attached to your power tool, it does not assure safe operation.**

**d) The rated speed of the accessory must be at least equal to the maximum speed marked on the power tool. Accessories running faster than their rated speed can break and fly apart.**

**e) The outside diameter and the thickness of your accessory must be within the capacity rating of your power tool. Incorrectly sized accessories cannot be adequately guarded or controlled.**

**f) Threaded mounting of accessories must match the grinder spindle thread. For accessories mounted by flanges, the arbour hole of the accessory must fit the locating diameter of the flange. Accessories that do not match the mounting hardware of the power tool will run out of balance, vibrate excessively and may cause loss of control.**

g) Do not use a damaged accessory. Before each use inspect the accessory such as abrasive wheels for chips and cracks, backing pad for cracks, tear or excess wear, wire brush for loose or cracked wires. If power tool or accessory is dropped, inspect for damage or install an undamaged accessory. After inspecting and installing an accessory, position yourself and bystanders away from the plane of the rotating accessory and run the power tool at maximum no-load speed for one minute. Damaged accessories will normally break apart during this test time.

h) Wear personal protective equipment. Depending on application, use face shield, safety goggles or safety glasses. As appropriate, wear dust mask, hearing protectors, gloves and workshop apron capable of stopping small abrasive or workpiece fragments. The eye protection must be capable of stopping flying debris generated by various operations. The dust mask or respirator must be capable of filtering particles generated by your operation. Prolonged exposure to high intensity noise may cause hearing loss.

i) Keep bystanders a safe distance away from work area. Anyone entering the work area must wear personal protective equipment. Fragments of workpiece or of a broken accessory may fly away and cause injury beyond immediate area of operation.

j) Hold the power tool by insulated gripping surfaces only, when performing an operation where the cutting accessory may contact hidden wiring. Cutting accessory contacting a "live" wire may make exposed metal parts of the power tool "live" and could give the operator an electric shock.

k) Never lay the power tool down until the accessory has come to a complete stop. The spinning accessory may grab the surface and pull the power tool out of your control.

l) Do not run the power tool while carrying it at your side. Accidental contact with the spinning accessory could snag your clothing, pulling the accessory into your body.

m) Regularly clean the power tool's air vents. The motor's fan will draw the dust inside the housing and excessive accumulation of powdered metal may cause electrical hazards.

n) Do not operate the power tool near flammable materials. Sparks could ignite these materials.

o) Do not use accessories that require liquid coolants. Using water or other liquid coolants may result in electrocution or shock.

#### Kickback and Related Warnings

Kickback is a sudden reaction to a pinched or snagged rotating wheel, backing pad, brush or any other accessory. Pinching or snagging causes rapid stalling of the rotating accessory which in turn causes the uncontrolled power tool to be forced in the direction opposite of the accessory's rotation at the point of the binding.

For example, if an abrasive wheel is snagged or pinched by the workpiece, the edge of the wheel that is entering into the pinch point can dig into the surface of the material causing the wheel to climb out or kick out. The wheel may either jump toward or away from the operator, depending on direction of the wheel's movement at the point of pinching. Abrasive wheels may also break under these conditions.

Kickback is the result of power tool misuse and/or incorrect operating procedures or conditions and can be avoided by taking proper precautions as given below.

a) Maintain a firm grip on the power tool and position your body and arm to allow you to resist kickback forces. Always use auxiliary handle, if provided, for maximum control over kickback or torque reaction during start-up. The operator can control torque reactions or kickback forces, if proper precautions are taken.

b) Never place your hand near the rotating accessory. Accessory may kickback over your hand.

c) Do not position your body in the area where power tool will move if kickback occurs. Kickback will propel the tool in direction opposite to the wheel's movement at the point of snagging.

d) Use special care when working corners, sharp edges etc. Avoid bouncing and snagging the accessory. Corners, sharp edges or bouncing have a tendency to snag the rotating accessory and cause loss of control or kickback.

e) Do not attach a saw chain woodcarving blade or toothed saw blade. Such blades create frequent kickback and loss of control.

#### Safety Warnings Specific for Grinding and Abrasive Cutting-Off Operations:

a) Use only wheel types that are recommended for your power tool and the specific guard designed for the selected wheel. Wheels for which the power tool was not designed cannot be adequately guarded and are unsafe.

b) The grinding surface of the centre depressed wheels must be mounted below the plane of the guard lip. An improperly mounted wheel that projects through the plane of the guard lip cannot be adequately protected.

c) The guard must be securely attached to the power tool and positioned for maximum safety, so the least amount of wheel is exposed towards the operator. The guard helps to protect the operator from broken wheel fragments, accidental contact with wheel and sparks that could ignite clothing.

d) Wheels must be used only for recommended applications. For example: do not grind with the side of cut-off wheel. Abrasive cut-off wheels are intended for peripheral grinding, side forces applied to these wheels may cause them to shatter.

e) Always use undamaged wheel flanges that are of correct size and shape for your selected wheel. Proper wheel flanges support the wheel thus reducing the possibility of wheel breakage. Flanges for cut-off wheels may be different from grinding wheel flanges.

f) Do not use worn down wheels from larger power tools. Wheel intended for larger power tool is not suitable for the higher speed of a smaller tool and may burst.

#### Additional Safety Warnings Specific for Abrasive Cutting-Off Operations:

a) Do not "jam" the cut-off wheel or apply excessive pressure. Do not attempt to make an excessive depth of cut. Overstressing the wheel increases the loading and susceptibility to twisting or binding of the wheel in the cut and the possibility of kickback or wheel breakage.

b) Do not position your body in line with and behind the rotating wheel. When the wheel, at the point of operation, is moving away from your body, the possible kickback may propel the spinning wheel and the power tool directly at you.

c) When wheel is binding or when interrupting a cut for any reason, switch off the power tool and hold the power tool motionless until the wheel comes to a complete stop. Never attempt to remove the cut-off wheel from the cut while the wheel is in motion otherwise kickback may occur. Investigate and take corrective action to eliminate the cause of wheel binding.

d) Do not restart the cutting operation in the workpiece. Let the wheel reach full speed and carefully re-enter the cut. The wheel may bind, walk up or kickback if the power tool is restarted in the workpiece.

e) Support panels or any oversized workpiece to minimize the risk of wheel pinching and kickback. Large workpieces tend to sag under their own weight. Supports must be placed under the workpiece near the line of cut and near the edge of the workpiece on both sides of the wheel.

f) Use extra caution when making a "pocket cut" into existing walls or other blind areas. The protruding wheel may cut gas or water pipes, electrical wiring or objects that can cause kickback.

#### Safety Warnings Specific for Sanding Operations:

a) Do not use excessively oversized sanding disc paper. Follow manufacturers recommendations, when selecting sanding paper. Larger sanding paper extending beyond the sanding pad presents a laceration hazard and may cause snagging, tearing of the disc or kickback.

#### Safety Warnings Specific for Wire Brushing Operations:

a) Be aware that wire bristles are thrown by the brush even during ordinary operation. Do not overstress the wires by applying excessive load to the brush. The wire bristles can easily penetrate light clothing and/or skin.

b) If the use of a guard is recommended for wire brushing, do not allow any interference of the wire wheel or brush with the guard. Wire wheel or brush may expand in diameter due to work load and centrifugal forces.

#### ADDITIONAL SAFETY AND WORKING INSTRUCTIONS

Always check if the spindle lock button is fully released before switching on the tool! After using the spindle lock to tighten / loosen the abrasive disc, it is possible that the button may stick in the lock position.

When grinding metal, flying sparks are produced. Take care that no persons are endangered. Because of the danger of fire, no combustible materials should be located in the vicinity (spark flight zone). Do not use dust extraction.

Avoid flying sparks and sanding dust hit your body.

Never reach into the danger area of the machine when it is running.

Chips and splinters must not be removed while the machine is running.

Immediately switch off the machine in case of considerable vibrations or if other malfunctions occur. Check the machine in order to find out the cause.

Under extreme conditions (e.g. smooth-grinding metals with the arbour and vulcanized fibre grinding wheel), significant contamination can build up on the inside of the die grinder.

Do not let any metal parts enter the airing slots - danger of short circuit!

WARNING! Danger of burns! The wheel and workpiece will become hot during use. Wear gloves when changing discs or touching workpiece. Keep hands away from the grinding area at all times.

WARNING! To reduce the risk of fire, personal injury, and product damage due to a short circuit, never immerse your tool, battery pack or charger in fluid or allow a fluid to flow inside them. Corrosive or conductive fluids, such as seawater, certain industrial chemicals, and bleach or bleach containing products, etc., Can cause a short circuit.

Never break open battery packs and chargers and store only in dry rooms. Keep dry at all times.

Use only System M18 chargers for charging System M18 battery packs. Do not use battery packs from other systems.

#### SPECIFIED CONDITIONS OF USE

The angle grinder is intended for grinding and cutting metal, stone, concrete and ceramic materials as well as sanding and wire brushing.

Use the cutting guard from the accessories range for cutting application.

Please refer to the instructions supplied by the accessory manufacturer.

The machine is suitable only for working without water.

Only appropriate grinding or cutting discs and related guards (grinding guard or cutting guard) as described in the product specification section of this manual should be fitted to the angle grinder. The angle grinder is designed for handheld use; it is not to be mounted onto a fixture or workbench.

Do not use the product in any way other than those stated for intended use.

#### RESIDUAL RISK

Even when the product is used as prescribed, it is still impossible to completely eliminate certain residual risk factors. The following hazards may arise in use and the operator should pay special attention to avoid the following:

- Injury caused by vibration. Hold the product by designated handles and restrict working time and exposure.
- Exposure to noise can cause hearing injury. Wear ear protection and limit exposure.
- Injury due to flying debris. Wear eye protection, heavy long trousers, gloves and substantial footwear at all times.
- Inhalation of toxic dusts.

#### NOTES FOR LI-ION BATTERIES

##### Use of Li-Ion batteries

Battery packs which have not been used for some time should be recharged before use.

Temperatures in excess of 50°C (122°F) reduce the performance of the battery pack. Avoid extended exposure to heat or sunshine (risk of overheating).

The contacts of chargers and battery packs must be kept clean.

For an optimum life-time, the battery packs have to be fully charged, after use.

To obtain the longest possible battery life remove the battery pack from the charger once it is fully charged.

For battery pack storage longer than 30 days:

Store the battery pack where the temperature is below 27°C and away from moisture.

Store the battery packs in a 30% - 50% charged condition.

Every six months of storage, charge the pack as normal.

##### Battery protection for Li-Ion batteries

In extremely high torque, binding, stalling and short circuit situations that cause high current draw, the tool will vibrate for about 5 seconds, the fuel gauge will flash, and then the tool will turn OFF.

To reset, release the trigger. Under extreme circumstances, the internal temperature of the battery pack could raise too much. If this happens, the fuel gauge will flash until the battery pack cooled down. After the lights go off, the work may continue.

##### Transporting Lithium Batteries

Lithium-ion batteries are subject to the Dangerous Goods Legislation requirements.

Transportation of those batteries has to be done in accordance with local, national and international provisions and regulations.

The user can transport the batteries by road without further requirements.

Commercial transport of Lithium-Ion batteries by third parties is subject to Dangerous Goods regulations. Transport preparation and transport are exclusively to be carried out by appropriately trained persons and the process has to be accompanied by corresponding experts.

When transporting batteries:

Ensure that battery contact terminals are protected and insulated to prevent short circuit.

Ensure that battery pack is secured against movement within packaging. Do not transport batteries that are cracked or leak. Check with forwarding company for further advice.

## WORKING INSTRUCTIONS

### Overload and Kickback Protection

The power tool has an overload and kickback safety function and stops if it is overloaded. Switch off the power tool and then switch the power tool back on again in order to continue to work.

### Soft start

Electronic soft start for save use prevents jerky run-up of the machine.

For accessories intended to be fitted with threaded hole wheel, ensure that the thread in the wheel is long enough to accept the spindle length.

Always use and store the cutting and grinding wheels according to the manufacturer's instructions.

Always use the correct guard for cutting and grinding.

The grinding surface of the centre depressed wheels must be mounted min. 2 mm below the plane of the guard lip.

The adjusting nut must be tightened before starting to work with the machine.

Always use the auxiliary handle.

The workpiece must be fixed if it is not heavy enough to be steady. Never move the workpiece towards the rotating wheel by hand.

The flange nut must be securely tightened before the machine is started. If the tool is not securely tightened with the flange nut, it is possible that the tool will lose the required clamping force when it is decelerated.

## CLEANING

The ventilation slots of the machine must be kept clear at all times.

## MAINTENANCE

Use only Milwaukee accessories and Milwaukee spare parts. Should components need to be replaced which have not been described, please contact one of our Milwaukee service agents (see our list of guarantee/service addresses).

If needed, an exploded view of the tool can be ordered. Please state the Article No. as well as the machine type printed on the label and order the drawing at your local service agents or directly at: Technronic Industries GmbH, Max-Eyth-Straße 10, 71364 Winnenden, Germany.

## SYMBOLS

	Please read the instructions carefully before starting the machine.
	CAUTION! WARNING! DANGER!
	Remove the battery pack before starting any work on the appliance.
	Do not use the guard for cut-off operations.
	Do not use force.
	Use force.

	Always wear goggles when using the machine.
	Wear ear protectors.
	Wear a suitable dust protection mask.
	Wear gloves!
	Always operate with two hands.
	Only for grinding.
	Only for cutting work.
	Pay attention to permissible disc thickness.
	Accessory - Not included in standard equipment, available as an accessory.
	Do not dispose of electric tools together with household waste material. Electric tools and electronic equipment that have reached the end of their life must be collected separately and returned to an environmentally compatible recycling facility. Check with your local authority or retailer for recycling advice and collection point.
	Rated speed
	Voltage
	Direct Current
	European Conformity Mark
	British Conformity Mark
	Ukraine Conformity Mark
	EurAsian Conformity Mark

## TECHNISCHE DATEN

	M18 FSAG115X	M18 FSAG125X
Bauart	Akku-Winkelschleifer	Akku-Winkelschleifer
Produktionsnummer	4830 49 01 XXXXXX MJJJJ	4830 56 01 XXXXXX MJJJJ
Spannung Wechselakku	18 V	18 V
Nenn Drehzahl	8500 min <sup>-1</sup>	8500 min <sup>-1</sup>
Spindelgewinde	M14	M14
D=Schleifscheibendurchmesser max.	115 mm	125 mm
d=Bohrungsdurchmesser	22,2 mm	22,2
	b=Schleifscheibendicke max.	6 mm
	b=Trennscheibendicke max. / min.	3 mm / 1 mm
	D=Schleifteller-/Blatt Durchmesser max.	115 mm
	D=Topfbürstendurchmesser max.	75 mm

Gewicht nach EPTA-Prozedur 01/2014 (Li-Ion 2,0 Ah ... 12,0 Ah)	2,4 ... 3,4 kg	2,4 ... 3,5 kg
Empfohlene Umgebungstemperatur für den Betrieb	-18 ... +50 °C	
Empfohlene Akku Typen	M18B...; M18HB...	
Empfohlene Ladegeräte	M12-18...; M1418C6	

**Geräuschinformation:** Messwerte ermittelt entsprechend EN 60745. Der A-bewertete Geräuschpegel des Gerätes beträgt typischerweise:

Schalldruckpegel / Unsicherheit K	82,7 dB(A) / 3 dB(A)	82,7 dB(A) / 3 dB(A)
Schalleistungspegel / Unsicherheit K	93,7 dB(A) / 3 dB(A)	93,7 dB(A) / 3 dB(A)

### Gehörschutz tragen!

**Vibrationsinformationen:** Schwingungsgesamtwerte (Vektorsumme dreier Richtungen) ermittelt entsprechend EN 60745.

Schwingungsemissionswert a<sub>n</sub> / Unsicherheit K

Oberflächenschleifen	4,8 m/s <sup>2</sup> / 1,5 m/s <sup>2</sup>	5,5 m/s <sup>2</sup> / 1,5 m/s <sup>2</sup>
Schleifen mit Schleifblatt	1,1 m/s <sup>2</sup> / 1,5 m/s <sup>2</sup>	1,9 m/s <sup>2</sup> / 1,5 m/s <sup>2</sup>

Bei anderen Anwendungen, wie z.B. Trennschleifen oder Schleifen mit der Stahldrahtbürste können sich andere Vibrationswerte ergeben!

## ! WARNUNG!

Die angegebenen Schwingungsgesamtwerte und Geräuschemissionswerte wurden nach einem genormten Messverfahren gemäß EN 60745 gemessen und können für den Vergleich von Elektrowerkzeugen miteinander verwendet werden. Sie können für eine vorläufige Einschätzung der Belastung verwendet werden.

Der angegebene Schwingungs- und Geräuschemissionspegel repräsentiert die hauptsächlichsten Anwendungen des Elektrowerkzeugs. Wenn allerdings das Elektrowerkzeug für andere Anwendungen, mit abweichenden Einsatzwerkzeugen oder ungenügender Wartung eingesetzt wird, können sich die Schwingungs- und Geräuschemissionen unterscheiden. Dies kann deren Wirkung über den gesamten Arbeitszeitraum deutlich erhöhen.

Bei der Abschätzung der Belastung durch Schwingungen und Lärm sollten auch die Zeiten berücksichtigt werden, in denen das Elektrowerkzeug ausgeschaltet ist oder zwar läuft, aber keine tatsächliche Arbeit verrichtet wird. Dies kann deren Wirkung über den gesamten Arbeitszeitraum deutlich reduzieren.

Legen Sie zusätzliche Sicherheitsmaßnahmen zum Schutz des Bedieners vor den Auswirkungen von Schwingungen- und / oder Lärm fest, wie z. B.: Wartung des Werkzeugs und des Zubehörs, Warmhalten der Hände, Organisation der Arbeitsabläufe.

## ! WARNUNG! Lesen Sie alle Sicherheitshinweise und Anweisungen.

Versäumnisse bei der Einhaltung der Sicherheitshinweise und Anweisungen können elektrischen Schlag, Brand und/oder schwere Verletzungen verursachen.

**Bewahren Sie alle Sicherheitshinweise und Anweisungen für die Zukunft auf.**

## SICHERHEITSHINWEISE FÜR WINKELSCHLEIFER

**Gemeinsame Sicherheitshinweise zum Schleifen, Sandpapierschleifen, Arbeiten mit Drahtbürsten und Trennschleifen:**

**a) Dieses Elektrowerkzeug ist zu verwenden als Schleifer, Sandpapierschleifer, Drahtbürste und Trennschleifmaschine. Beachten Sie alle Sicherheitshinweise, Anweisungen, Darstellungen und Daten, die Sie mit dem Gerät erhalten.** Wenn Sie die folgenden Anweisungen nicht beachten, kann es zu elektrischem Schlag, Feuer und/oder schweren Verletzungen kommen.

**b) Dieses Elektrowerkzeug ist nicht geeignet zum Polieren.** Verwendungen, für die das Elektrowerkzeug nicht vorgesehen ist, können Gefährdungen und Verletzungen verursachen.

**c) Verwenden Sie kein Zubehör, das vom Hersteller nicht speziell für dieses Elektrowerkzeug vorgesehen und empfohlen wurde.** Nur weil Sie das Zubehör an Ihrem Elektrowerkzeug befestigen können, garantiert das keine sichere Verwendung.

d) Die zulässige Drehzahl des Einsatzwerkzeugs muss mindestens so hoch sein wie die auf dem Elektrowerkzeug angegebene Höchstzahl. Zubehör, das sich schneller als zulässig dreht, kann zerbrechen und umherfliegen.

e) Außendurchmesser und Dicke des Einsatzwerkzeugs müssen den Maßangaben Ihres Elektrowerkzeugs entsprechen. Falsch bemessene Einsatzwerkzeuge können nicht ausreichend abgeschirmt oder kontrolliert werden.

f) Einsatzwerkzeuge mit Gewindeinsatz müssen genau auf das Gewinde der Schleifspindel passen. Bei Einsatzwerkzeugen, die mittels Flansch montiert werden, muss der Lochdurchmesser des Einsatzwerkzeugs zum Aufnahmeflansch des Flansches passen. Einsatzwerkzeuge, die nicht genau am Einsatzwerkzeug befestigt werden, drehen sich ungleichmäßig, vibrieren sehr stark und können zum Verlust der Kontrolle führen.

g) Verwenden Sie keine beschädigten Einsatzwerkzeuge. Kontrollieren Sie vor jeder Verwendung Einsatzwerkzeuge wie Schleifscheiben auf Absplitterungen und Risse, Schleifteller auf Risse, Verschleiß oder starke Abnutzung, Drahtbürsten auf lose oder gebrochene Drähte. Wenn das Elektrowerkzeug oder das Einsatzwerkzeug herunterfällt, überprüfen Sie, ob es beschädigt ist, oder verwenden Sie ein unbeschädigtes Einsatzwerkzeug. Wenn Sie das Einsatzwerkzeug kontrolliert und eingesetzt haben, halten Sie und in der Nähe befindliche Personen sich außerhalb der Ebene des rotierenden Einsatzwerkzeugs auf und lassen Sie das Elektrowerkzeug eine Minute lang mit Höchstzahl laufen. Beschädigte Einsatzwerkzeuge brechen meist in dieser Testzeit.

h) Tragen Sie persönliche Schutzausrüstung. Verwenden Sie je nach Anwendung Vollgesichtsschutz, Augenschutz oder Schutzbrille. Soweit angemessen, tragen Sie Staubmaske, Gehörschutz, Schutzhandschuhe oder Spezialschürze, die kleine Schlei- und Materialpartikel von Ihnen fernhält. Die Augen sollen vor herumfliegenden Fremdkörpern geschützt werden, die bei verschiedenen Anwendungen entstehen. Staub- oder Atemschutzmaske müssen den bei der Anwendung entstehenden Staub filtern. Wenn Sie lange lautem Lärm ausgesetzt sind, können Sie einen Hörverlust erleiden.

i) Achten Sie bei anderen Personen auf sicheren Abstand zu Ihrem Arbeitsbereich. Jeder, der den Arbeitsbereich betritt, muss persönliche Schutzausrüstung tragen. Bruchstücke des Werkstücks oder gebrochener Einsatzwerkzeuge können wegfiegen und Verletzungen auch außerhalb des direkten Arbeitsbereichs verursachen.

j) Halten Sie das Elektrowerkzeug nur an den isolierten Griffflächen, wenn Sie Arbeiten ausführen, bei denen das Einsatzwerkzeug verborgene Stromleitungen treffen kann. Der Kontakt mit einer spannungsführenden Leitung kann auch metallene Geräteteile unter Spannung setzen und zu einem elektrischen Schlag führen.

k) Legen Sie das Elektrowerkzeug niemals ab, bevor das Einsatzwerkzeug völlig zum Stillstand gekommen ist. Das sich drehende Einsatzwerkzeug kann in Kontakt mit der Ablagefläche geraten, wodurch Sie die Kontrolle über das Elektrowerkzeug verlieren können.

l) Lassen Sie das Elektrowerkzeug nicht laufen, während Sie es tragen. Ihre Kleidung kann durch zufälligen Kontakt mit dem sich drehenden Einsatzwerkzeug erfasst werden und das Einsatzwerkzeug sich in Ihren Körper bohren.

m) Reinigen Sie regelmäßig die Lüftungsschlitze Ihres Elektrowerkzeugs. Das Motorgebläse zieht Staub in das Gehäuse, und eine starke Ansammlung von Metallstaub kann elektrische Gefahren verursachen.

n) Verwenden Sie das Elektrowerkzeug nicht in der Nähe brennbarer Materialien. Funken können diese Materialien entzünden.

o) Verwenden Sie keine Einsatzwerkzeuge, die flüssige Kühlmittel erfordern. Die Verwendung von Wasser oder anderen flüssigen Kühlmitteln kann zu einem elektrischen Schlag führen.

## Rückschlag und entsprechende Sicherheitshinweise

Rückschlag ist die plötzliche Reaktion infolge eines hakenden oder blockierten drehenden Einsatzwerkzeugs, wie Schleifscheibe, Schleifteller, Drahtbürste usw. Verhaken oder Blockieren führt zu einem abrupten Stopp des rotierenden Einsatzwerkzeugs. Dadurch wird ein unkontrolliertes Elektrowerkzeug gegen die Drehrichtung des Einsatzwerkzeugs an der Blockierstelle beschleunigt.

Wenn z. B. eine Schleifscheibe im Werkstück hakt oder blockiert, kann sich die Kante der Schleifscheibe, die in das Werkstück eintaucht, verfangen und dadurch die Schleifscheibe ausbrechen oder einen Rückschlag verursachen. Die Schleifscheibe bewegt sich dann auf die Bedienperson zu oder von ihr weg, je nach Drehrichtung der Scheibe an der Blockierstelle. Hierbei können Schleifscheiben auch brechen.

Ein Rückschlag ist die Folge eines falschen oder fehlerhaften Gebrauchs des Elektrowerkzeugs. Er kann durch geeignete Vorsichtsmaßnahmen, wie nachfolgend beschrieben, verhindert werden.

a) Halten Sie das Elektrowerkzeug gut fest und bringen Sie Ihren Körper und Ihre Arme in eine Position, in der Sie die Rückschlagkräfte abfangen können. Verwenden Sie immer den Zusatzgriff, falls vorhanden, um die größtmögliche Kontrolle über Rückschlagkräfte oder Reaktionsmomente beim Hochlauf zu haben. Die Bedienperson kann durch geeignete Vorsichtsmaßnahmen die Rückschlag- und Reaktionskräfte beherrschen.

b) Bringen Sie Ihre Hand nie in die Nähe sich drehender Einsatzwerkzeuge. Das Einsatzwerkzeug kann sich beim Rückschlag über Ihre Hand bewegen.

c) Meiden Sie mit Ihrem Körper den Bereich, in den das Elektrowerkzeug bei einem Rückschlag bewegt wird. Der Rückschlag treibt das Elektrowerkzeug in die Richtung entgegengesetzt zur Bewegung der Schleifscheibe an der Blockierstelle.

d) Arbeiten Sie besonders vorsichtig im Bereich von Ecken, scharfen Kanten usw. Verhindern Sie, dass Einsatzwerkzeuge vom Werkstück zurückprallen und verkleben. Das rotierende Einsatzwerkzeug neigt bei Ecken, scharfen Kanten oder wenn es abrallt dazu, sich zu verkleben. Dies verursacht einen Kontrollverlust oder Rückschlag.

e) Verwenden Sie kein Ketten- oder gezähntes Sägeblatt. Solche Einsatzwerkzeuge verursachen häufig einen Rückschlag oder den Verlust der Kontrolle über das Elektrowerkzeug.

## Besondere Sicherheitshinweise zum Schleifen und Trennschleifen:

a) Verwenden Sie ausschließlich die für Ihr Elektrowerkzeug zugelassene Schleifkörper und die für diese Schleifkörper vorgesehene Schutzhaube. Schleifkörper, die nicht für das Elektrowerkzeug vorgesehen sind, können nicht ausreichend abgeschirmt werden und sind unsicher.

b) Gekröpfte Schleifscheiben müssen so montiert werden, dass ihre Schleiffläche nicht über die Ebene des Schutzhaubenrandes hinausragt. Eine unsachgemäß montierte Schleifscheibe, die über die Ebene des Schutzhaubenrandes hinausragt, kann nicht ausreichend abgeschirmt werden.

c) Die Schutzhaube muss sicher am Elektrowerkzeug angebracht und für ein Höchstmaß an Sicherheit so eingestellt sein, dass der kleinstmögliche Teil des Schleifkörpers offen zum Bediener zeigt. Die Schutzhaube hilft, die Bedienperson vor Bruchstücken, zufälligem Kontakt mit dem Schleifkörper sowie Funken, die Kleidung entzündend könnten, zu schützen.

d) Schleifkörper dürfen nur für die empfohlenen Einsatzmöglichkeiten verwendet werden. Zum Beispiel: Schleifen Sie nie mit der Seitenfläche einer Trennscheibe. Trennscheiben sind zum Materialabtrag mit der Kante der Scheibe bestimmt. Seitliche Kraffeinwirkung auf diese Schleifkörper kann sie zerbrechen.

e) Verwenden Sie immer unbeschädigte Spannflansche in der richtigen Größe und Form für die von Ihnen gewählte Schleifscheibe. Geeignete Flansche stützen die Schleifscheibe und verringern so die Gefahr eines Schleifscheibenbruchs. Flansche für Trennscheiben können sich von den Flanschen für andere Schleifscheiben unterscheiden.

f) Verwenden Sie keine abgenutzten Schleifscheiben von größeren Elektrowerkzeugen. Schleifscheiben für größere Elektrowerkzeuge sind nicht für die höheren Drehzahlen von kleineren Elektrowerkzeugen ausgelegt und können brechen.

## Weitere besondere Sicherheitshinweise zum Trennschleifen:

a) Vermeiden Sie ein Blockieren der Trennscheibe oder zu hohen Anpressdruck. Führen Sie keine übermäßig tiefen Schnitte aus. Eine Überlastung der Trennscheibe erhöht deren Beanspruchung und die Anfälligkeit zum Verhaken oder Blockieren und damit die Möglichkeit eines Rückschlags oder Schleifkörperbruchs.

b) Meiden Sie den Bereich vor und hinter der rotierenden Trennscheibe. Wenn Sie die Trennscheibe im Werkstück von sich weg bewegen, kann im Falle eines Rückschlags das Elektrowerkzeug mit der sich drehenden Scheibe direkt auf Sie zugeschleudert werden.

c) Falls die Trennscheibe verklemt oder Sie die Arbeit unterbrechen, schalten Sie das Gerät aus und halten Sie es ruhig, bis die Scheibe zum Stillstand gekommen ist. Versuchen Sie nie, die noch laufende Trennscheibe aus dem Schnitt zu ziehen, sonst kann ein Rückschlag erfolgen. Ermitteln und beheben Sie die Ursache für das Verkleben.

d) Schalten Sie das Elektrowerkzeug nicht wieder ein, solange es sich im Werkstück befindet. Lassen Sie die Trennscheibe erst ihre volle Drehzahl erreichen, bevor Sie den Schnitt vorsichtig fortsetzen. Andernfalls kann die Scheibe verhaken, aus dem Werkstück springen oder einen Rückschlag verursachen.

e) Stützen Sie Platten oder große Werkstücke ab, um das Risiko eines Rückschlags durch eine eingeklemmte Trennscheibe zu vermindern. Große Werkstücke können sich unter ihrem eigenen Gewicht durchbiegen. Das Werkstück muss auf beiden Seiten abgestützt werden, und zwar sowohl in der Nähe des Trennschnitts als auch an der Kante.

f) Seien Sie besonders vorsichtig bei „Taschenschnitten“ in bestehende Wände oder andere nicht einsehbare Bereiche. Die eintauchende Trennscheibe kann beim Schneiden in Gas- oder Wasserleitungen, elektrische Leitungen oder andere Objekte einen Rückschlag verursachen.

## Besondere Sicherheitshinweise zum Sandpapierschleifen:

a) Benutzen Sie keine überdimensionierten Schleifblätter, sondern befolgen Sie die Herstellerangaben zur Schleifblattgröße. Schleifblätter, die über den Schleifteller hinausragen, können Verletzungen verursachen sowie zum Blockieren, Zerreißen der Schleifblätter oder zum Rückschlag führen.

## Besondere Sicherheitshinweise zum Arbeiten mit Drahtbürsten:

a) Beachten Sie, dass die Drahtbürste auch während des üblichen Gebrauchs Drahtstücke verliert. Überlasten Sie die Drähte nicht durch zu hohen Anpressdruck. Wegfliegende Drahtstücke können sehr leicht durch dünne Kleidung und/oder die Haut dringen.

b) Wird eine Schutzhaube empfohlen, verhindern Sie, dass sich Schutzhaube und Drahtbürste berühren können. Teller- und Topfbürsten können durch Anpressdruck und Zentrifugalkräfte ihren Durchmesser vergrößern.

## WEITERE SICHERHEITS- UND ARBEITSHINWEISE

Überprüfen Sie stets, ob die Spindelarretierung vollständig gelöst ist, bevor Sie das Werkzeug einschalten! Nach der Verwendung der Spindelarretierung zum Anziehen/Lösen der Schleifscheibe ist es möglich, dass die Taste in der Verriegelungsstellung stecken bleibt.

Beim Schleifen von Metallen entsteht Funkenflug. Darauf achten, dass keine Personen gefährdet werden. Wegen der Brandgefahr dürfen sich keine brennbaren Materialien im Funkenflugbereich befinden. Keine Staubabsaugung verwenden.

Vermeiden Sie, dass Funkenflug und Schleifstaub den Körper treffen.

Nicht in den Gefahrenbereich der laufenden Maschine greifen. Späne oder Splitter dürfen bei laufender Maschine nicht entfernt werden.

Gerät sofort ausschalten, wenn beträchtliche Schwingungen auftreten oder andere Mängel festgestellt werden. Überprüfen Sie die Maschine, um die Ursache festzustellen.

Bei extremen Einsatzbedingungen (z. B. beim Glattschleifen von Metallen mit Stützsteller und Vulkanfieber-Schleifscheibe) kann sich eine starke Verschmutzung im Inneren des Stabschleifers (Metallablagerungen) aufbauen.

Wegen Kurzschlussgefahr dürfen Metallteile nicht in die Lüftungsschlitze gelangen.

WARNUNG! Verbrennungsgefahr! Die Scheibe und das Werkstück werden während der Verwendung heiß. Tragen Sie Handschuhe, wenn Sie Scheiben austauschen oder das Werkstück berühren. Halten Sie Ihre Hände unter keinen Umständen in den Schleiffbereich.

WARNUNG! Um die durch einen Kurzschluss verursachte Gefahr eines Brandes, von Verletzungen oder Produktbeschädigungen zu vermeiden, tauchen Sie das Werkzeug, den Wechselakku oder das Ladegerät nicht in Flüssigkeiten ein und sorgen Sie dafür, dass keine Flüssigkeiten in die Geräte und Akkus eindringen. Korrodierende oder leitfähige Flüssigkeiten, wie Salzwasser, bestimmte Chemikalien und Bleichmittel oder Produkte, die Bleichmittel enthalten, können einen Kurzschluss verursachen. Wechselakkus und Ladegeräte nicht öffnen und nur in trockenen Räumen lagern. Vor Nässe schützen.

Wechselakku des Systems M18 nur mit Ladegeräten des Systems M18 laden. Keine Akkus aus anderen Systemen laden.

## BESTIMMUNGSGEMÄSSE VERWENDUNG

Der Winkelschleifer ist zum Schleifen und Trennen von Metall-, Stein-, Beton- und Keramikmaterialien sowie zum Schmirgeln und Bürsten (mit einer Drahtbürste) vorgesehen.

Für Trennarbeiten Trennschutzkappe aus dem Zubehörprogramm verwenden.

Beachten Sie auch die Hinweise der Zubehöhersteller.

Das Elektrowerkzeug ist nur für Trockenbearbeitung geeignet.

Am Winkelschleifer sollten nur geeignete Schleif- oder Trennscheiben und entsprechende Schutzvorrichtungen (Schleifschutz oder Trennschutz), wie im Abschnitt "Produktspezifikation" dieses Handbuchs beschrieben, angebracht werden. Der Winkelschleifer ist als Handwerkzeug vorgesehen. Er darf nicht auf einer Halterung oder Werkbank montiert werden.

Verwenden Sie das Produkt nur für den bestimmungsgemäßen Gebrauch.

## RESTRISIKEN

Auch bei ordnungsgemäßer Verwendung können nicht alle Restrisiken ausgeschlossen werden. Beim Gebrauch können folgende Gefahren entstehen, auf die der Bediener besonders achten sollte:

- Durch Vibration verursachte Verletzungen. Halten Sie das Gerät an den dafür vorgesehenen Griffen und begrenzen Sie die Arbeits- und Expositionszeit.
- Lärmbelastung kann zu Gehörschädigungen führen. Tragen Sie einen Gehörschutz und schränken Sie die Expositionsdauer ein.
- Durch Schmutzpartikel verursachte Augenverletzungen. Tragen Sie immer eine Schutzbrille, feste lange Hosen, Handschuhe und festes Schuhwerk.
- Einatmen von giftigen Stäuben.

## HINWEISE FÜR LI-ION-AKKUS

### Gebrauch von Li-Ion-Akkus

Längere Zeit nicht benutzte Wechselakkus vor Gebrauch nachladen.

Eine Temperatur über 50°C vermindert die Leistung des Wechselakkus. Längere Erwärmung durch Sonne oder Heizung vermeiden.

Die Anschlusskontakte an Ladegerät und Wechselakku sauber halten.

Für eine optimale Lebensdauer müssen nach dem Gebrauch die Akkus voll geladen werden.

Für eine möglichst lange Lebensdauer sollten die Akkus nach dem Aufladen aus dem Ladegerät entfernt werden.

Bei Lagerung des Akkus länger als 30 Tage:

Akku bei ca. 27°C und trocken lagern.

Akku bei ca. 30%-50% des Ladezustandes lagern.

Akku alle 6 Monate erneut aufladen.

### Akkuüberlastschutz bei Li-Ion-Akkus

Bei Überlastung des Akkus durch sehr hohen Stromverbrauch, z.B. extrem hohe Drehmomente, plötzlichem Stopp oder Kurzschluss, vibriert das Elektrowerkzeug 5 Sekunden lang, die Ladeanzeige blinkt und das Elektrowerkzeug schaltet sich selbsttätig ab.

Zum Wiedereinschalten, den Schalterdrücker loslassen und dann wieder einschalten. Unter extremen Belastungen erhitzt sich der Akku zu stark. In diesem Fall blinken alle Lampen der Ladeanzeige bis der Akku abgekühlt ist. Nach Erlöschen der Ladeanzeige kann weitergearbeitet werden.

### Transport von Lithium-Ionen-Akkus

Lithium-Ionen-Akkus fallen unter die gesetzlichen Bestimmungen zum Gefahrguttransport.

Der Transport dieser Akkus muss unter Einhaltung der lokalen, nationalen und internationalen Vorschriften und Bestimmungen erfolgen.

Verbraucher dürfen diese Akkus ohne Weiteres auf der Straße transportieren.

Der kommerzielle Transport von Lithium-Ionen-Akkus durch Speditionsunternehmen unterliegt den Bestimmungen des Gefahrguttransports. Die Versandvorbereitungen und der Transport dürfen ausschließlich von entsprechend geschulten Personen durchgeführt werden. Der gesamte Prozess muss fachmännisch begleitet werden.

Folgende Punkte sind beim Transport von Akkus zu beachten:

Stellen Sie sicher, dass die Kontakte geschützt und isoliert sind, um Kurzschlüsse zu vermeiden.

Achten Sie darauf, dass der Akkupack innerhalb der Verpackung nicht verrutschen kann. Beschädigte oder auslaufende Akkus dürfen nicht transportiert werden. Wenden Sie sich für weitere Hinweise an Ihr Speditionsunternehmen.

## ARBEITSHINWEISE

### Überlast- und Rückschlag-Schutz

Das Elektrowerkzeug verfügt über eine Überlast- und Rückschlag-Schutzfunktion und stoppt bei entsprechender Überlast. Um weiter zu arbeiten, Elektrowerkzeug aus- und wieder einschalten.

### Sanftanlauf

Elektronischer Sanftanlauf für sichere Handhabung verhindert beim Einschalten ein ruckartiges Anlaufen der Maschine.

Vergewissern Sie sich bei Schleifwerkzeugen mit Gewindeinsatz, dass das Gewinde lang genug ist, um die Spindellänge aufzunehmen.

Trenn- und Schleifscheiben stets gemäß den Angaben des Herstellers verwenden und aufbewahren.

Beim Schruppen und Trennen immer mit Schutzhaube arbeiten.

Gekrüpfte Schleifscheiben müssen so montiert werden, dass ihre Schleiffläche mind. 2 mm unter der Ebene des Schutzhaubenrandes endet.

Die Flanschnutter muss vor Inbetriebnahme der Maschine angezogen sein.

Stets den Zusatzhandgriff verwenden.

Das zu bearbeitende Werkstück muss festgespannt werden, sofern es nicht durch sein Eigengewicht hält. Niemals Werkstück mit der Hand gegen die Scheibe führen.

Die Flanschnutter muss vor Inbetriebnahme der Maschine fest angezogen sein. Sollte das Einsatzwerkzeug mit der Flanschnutter nicht fest angezogen werden, besteht die Möglichkeit, dass das Einsatzwerkzeug beim Abbremsen die notwendige Spannkraft verliert.

## REINIGUNG

Stets die Lüftungsschlitze der Maschine sauber halten.

## WARTUNG

Nur Milwaukeee Zubehör und Milwaukeee Ersatzteile verwenden. Bauteile, deren Austausch nicht beschrieben wurde, bei einer Milwaukeee Kundendienststelle auswechseln lassen (Broschüre Garantie/Kundendienstadressen beachten).

Bei Bedarf kann eine Explosionszeichnung des Gerätes unter Angabe der Maschinen Type und der sechsstelligen Nummer auf dem Leistungsschild bei Ihrer Kundendienststelle oder direkt bei Techtronic Industries GmbH, Max-Eyth-Straße 10, 71364 Winnenden, Germany angefordert werden.

## SYMBOLS



Bitte lesen Sie die Gebrauchsanweisung vor Inbetriebnahme sorgfältig durch.



ACHTUNG! WARNUNG! GEFAHR!



Vor allen Arbeiten am Gerät den Wechselakku herausnehmen.



Den Schutz nicht für das Trennschleifen verwenden.



Keine Kraft anwenden.



Kraft anwenden.



Beim Arbeiten mit der Maschine stets Schutzbrille tragen.



Tragen Sie Gehörschutz.



Geeignete Staubschutzmaske tragen.



Schutzhandschuhe tragen!



Das Werkzeug stets mit zwei Händen bedienen.



Nur für Schleifarbeiten.



Nur für Trennarbeiten.



Auf zulässige Scheibendicke achten.



Zubehör - Im Lieferumfang nicht enthalten, empfohlene Ergänzung aus dem Zubehörprogramm.



Elektrogeräte dürfen nicht zusammen mit dem Hausmüll entsorgt werden. Elektrische und elektronische Geräte sind getrennt zu sammeln und zur umweltgerechten Entsorgung bei einem Verwertungsbetrieb abzugeben. Erkundigen Sie sich bei den örtlichen Behörden oder bei Ihrem Fachhändler nach Recyclinghöfen und Sammelstellen.

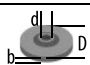
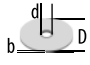

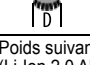
$n_0$

Nenn Drehzahl

V

Spannung

	Gleichstrom
	Europäisches Konformitätszeichen
	Britisches Konformitätszeichen
	Ukrainisches Konformitätszeichen
	Euroasiatisches Konformitätszeichen

CARACTÉRISTIQUES TECHNIQUES	M18 FSAG115X	M18 FSAG125X
Type	Meuleuse d'Angle sans fil	Meuleuse d'Angle sans fil
Numéro de série	4830 49 01 XXXXXX MJJJJ	4830 56 01 XXXXXX MJJJJ
Tension accu interchangeable	18 V	18 V
Vitesse de rotation nominale	8500 min <sup>-1</sup>	8500 min <sup>-1</sup>
Filetage de l'arbre	M14	M14
D=Diamètre de meule max.	115 mm	125 mm
d=Diamètre de perçage	22,2 mm	22,2
 b=Épaisseur disque polisseur max.	6 mm	6 mm
 b=Épaisseur disque de coupe. max. / min.	3 mm / 1 mm	3 mm / 1 mm
 D=Diamètre du disque de ponçage max.	115 mm	125 mm
 D=Diamètre brosse métallique max.	75 mm	75 mm
Poids suivant EPTA-Procédure 01/2014 (Li-Ion 2,0 Ah ... 12,0 Ah)	2,4 ... 3,4 kg	2,4 ... 3,5 kg
Température ambiante conseillée pour le fonctionnement	-18 ... +50 °C	
Batteries conseillées	M18B...; M18HB...	
Chargeurs conseillés	M12-18...; M1418C6	

**Informations sur le bruit:** Valeurs de mesure obtenues conformément à la EN 60745. Les mesures réelles (des niveaux acoustiques de l'appareil) sont :

Niveau de pression acoustique / Incertitude K	82,7 dB(A) / 3 dB(A)	82,7 dB(A) / 3 dB(A)
Niveau d'intensité acoustique / Incertitude K	93,7 dB(A) / 3 dB(A)	93,7 dB(A) / 3 dB(A)

#### Toujours porter une protection acoustique!

**Informations sur les vibrations:** Valeurs totales des vibrations (somme vectorielle de trois sens) établies conformément à EN 60745.

Valeur d'émission vibratoire a <sub>v</sub> / Incertitude K	M18 FSAG115X	M18 FSAG125X
Meulage surfacique	4,8 m/s <sup>2</sup> / 1,5 m/s <sup>2</sup>	5,5 m/s <sup>2</sup> / 1,5 m/s <sup>2</sup>
Polissage avec feuille abrasive	1,1 m/s <sup>2</sup> / 1,5 m/s <sup>2</sup>	1,9 m/s <sup>2</sup> / 1,5 m/s <sup>2</sup>

Des valeurs de vibration différentes peuvent se présenter pendant d'autres applications, comme par exemple le tronçonnage ou le polissage avec la brosse à fils métalliques !

### AVERTISSEMENT!

Le niveau de vibration et d'émissions sonores indiqué dans cette fiche de données a été mesuré en respect d'une méthode standard de test selon la norme EN 60745 et peut être utilisé pour comparer les outils entre eux. Il peut être utilisé pour évaluation préliminaire de l'exposition.

Le niveau de vibration et d'émissions sonores déclaré correspond à l'application principale de l'outil. Cependant, si l'outil est utilisé pour des applications différentes, avec différents accessoires ou est mal entretenu, les vibrations et les émissions sonores peuvent différer. Cela peut augmenter considérablement le niveau d'exposition au cours de la période de travail totale.

Une estimation du niveau d'exposition aux vibrations et au bruit devrait également tenir compte des temps d'arrêt de l'outil ou des périodes où il est en marche mais n'effectue pas réellement le travail. Cela peut réduire considérablement le niveau d'exposition au cours de la période de travail totale.

Identifier des mesures de sécurité supplémentaires pour protéger l'opérateur des effets des vibrations et/ou du bruit tels que : l'entretien de l'outil et des accessoires, le maintien au chaud des mains, l'organisation des processus de travail.

**AVERTISSEMENT!** Lisez toutes les consignes de sécurité et les instructions. Le non-respect des avertissements et instructions indiqués ci après peut entraîner un choc électrique, un incendie et/ou de graves blessures sur les personnes.

**Bien garder tous les avertissements et instructions.**

#### INDICATEUR DE SÉCURITÉ POUR POLISSEUSE D'ANGLE

**Avertissements communs pour le meulage, le ponçage au papier de verre, les travaux avec brosses métalliques le tronçonnage :**

**a) Cet outil électrique est destiné à fonctionner comme meuleuse, ponceuse, brosse métallique, lustruse ou outil à tronçonner. Lire toutes les mises en garde de sécurité, les instructions, les illustrations et les spécifications fournies avec cet outil électrique.** Le fait de ne pas suivre toutes les instructions données cidessous peut provoquer un choc électrique, un incendie et/ou une blessure grave.

**b) Cet outil électrique ne convient pas au meulage à la polissage.** Les cas d'utilisation pour lesquels l'outil électrique n'est pas prévu peuvent présenter des mises en danger et être à l'origine de blessures.

**c) Ne pas utiliser d'accessoires non conçus spécifiquement et recommandés par le fabricant d'outils.** Le simple fait que l'accessoire puisse être fixé à votre outil électrique ne garantit pas un fonctionnement en toute sécurité.

**d) La vitesse assignée de l'accessoire doit être au moins égale à la vitesse maximale indiquée sur l'outil électrique.** Les accessoires fonctionnant plus vite que leur vitesse assignée peuvent se rompre et voler en éclat.

**e) Le diamètre extérieur et l'épaisseur de votre accessoire doivent se situer dans le cadre des caractéristiques de capacité de votre outil électrique.** Les accessoires dimensionnés de façon incorrecte ne peuvent pas être protégés ou commandés de manière appropriée.

**f) Les filetages des accessoires doivent coïncider avec le filetage du mandrin porte-meule. Sur les accessoires équipés de fixation à bride le trou consacré au mandrin de montage doit coïncider avec le diamètre de la bride de fixation.** Des accessoires non aptes au mandrin de fixation du dispositif tourneront d'une manière excentrique, vibreront excessivement et ils pourront comporter la perte du contrôle de l'appareil.

**g) Ne pas utiliser d'accessoire endommagé. Avant chaque utilisation examiner les accessoires comme les meules abrasives pour détecter la présence éventuelle de copeaux et fissures, les patins d'appui pour détecter des traces éventuelles de fissures, de déchirure ou d'usure excessive, ainsi que les brosses métalliques pour détecter des fils desserrés ou fissurés. Si l'outil électrique ou l'accessoire a subi une chute, examiner les dommages éventuels ou installer un accessoire non endommagé. Après examen et installation d'un accessoire, placez-vous ainsi que les personnes présentes à distance du plan de l'accessoire rotatif et faire marcher l'outil électrique à vitesse maximale à vide pendant 1 min.** Les accessoires endommagés seront normalement détruits pendant cette période d'essai.

**h) Porter un équipement de protection individuelle. En fonction de l'application, utiliser un écran facial, des lunettes de sécurité ou des verres de sécurité. Le cas échéant, utiliser un masque antipoussières, des protections auditives, des gants et un tablier capables d'arrêter les petits fragments abrasifs ou des pièces à usiner.** La protection oculaire doit être capable d'arrêter les débris volants produits par les diverses opérations. Le masque antipoussières ou le respirateur doit être capable de filtrer les particules produites par vos travaux. L'exposition prolongée aux bruits de forte intensité peut provoquer une perte de l'audition.

**i) Maintenir les personnes présentes à une distance de sécurité par rapport à la zone de travail. Toute personne entrant dans la zone de travail doit porter un équipement de protection individuelle.** Des fragments de pièce à usiner ou d'un accessoire cassé peuvent être projetés et provoquer des blessures en dehors de la zone immédiate d'opération.

**j) Maintenez l'appareil par les surfaces de poignée isolées lorsque vous exécutez des travaux pendant lesquels l'outil de coupe peut toucher des lignes électriques dissimulées.** Le contact de l'outil de coupe avec un câble qui conduit la tension peut mettre les pièces métalliques de l'appareil sous tension et mener à une décharge électrique.

**k) Ne jamais poser l'appareil électrique avant que l'outil rapporté soit entièrement à l'arrêt.** L'accessoire de rotation peut agripper la surface et arracher l'outil électrique hors de votre contrôle.

**l) Ne pas faire fonctionner l'outil électrique en le portant sur le côté.** Un contact accidentel avec l'accessoire de rotation pourrait accrocher vos vêtements et attirer l'accessoire sur vous.

**m) Nettoyer régulièrement les orifices d'aération de l'outil électrique.** Le ventilateur du moteur attirera la poussière à l'intérieur du boîtier et une accumulation excessive de poudre de métal peut provoquer des dangers électriques.

**n) Ne pas faire fonctionner l'outil électrique à proximité de matériaux inflammables.** Des étincelles pourraient enflammer ces matériaux.

**o) Ne pas utiliser d'accessoires qui nécessitent des réfrigérants fluides.** L'utilisation d'eau ou d'autres réfrigérants fluides peut aboutir à une électrocution ou un choc électrique.

#### Rebonds et mises en garde correspondantes

Le rebond est une réaction soudaine au pincement ou à l'accrochage d'une meule rotative, d'un patin d'appui, d'une brosse ou de tout autre accessoire. Le pincement ou l'accrochage provoque un blocage rapide de l'accessoire en rotation qui, à son tour, contraint l'outil électrique hors de contrôle dans le sens opposé de rotation de l'accessoire au point du grippage.

Par exemple, si une meule abrasive est accrochée ou pincée par la pièce à usiner, le bord de la meule qui entre dans le point de pincement peut creuser la surface du matériau, provoquant des sauts ou l'expulsion de la meule. La meule peut sauter en direction de l'opérateur ou encore en s'en éloignant, selon le sens du mouvement de la meule au point de pincement. Les meules abrasives peuvent également se rompre dans ces conditions.

Le rebond résulte d'un mauvais usage de l'outil et/ou de procédures ou de conditions de fonctionnement incorrectes et peut être évité en prenant les précautions appropriées spécifiées cidessous.

**a) Maintenir fermement l'outil électrique et placer votre corps et vos bras pour vous permettre de résister aux forces de rebond. Toujours utiliser une poignée auxiliaire, le cas échéant, pour une maîtrise maximale du rebond ou de la réaction de couple au cours du démarrage.** L'opérateur peut maîtriser les couples de réaction ou les forces de rebond, si les précautions qui s'imposent sont prises.

**b) Ne jamais placer votre main à proximité de l'accessoire en rotation.** L'accessoire est susceptible de rebondir sur votre main.

**c) Ne pas vous placer dans la zone où l'outil électrique se déplacera en cas de rebond.** Le rebond pousse l'outil dans le sens opposé au mouvement de la meule au point d'accrochage.

**d) Apporter un soin particulier lors de travaux dans les coins, les arêtes vives etc. Éviter les rebondissements et les accrochages de l'accessoire.** Les coins, les arêtes vives ou les rebondissements ont tendance à accrocher l'accessoire en rotation et à provoquer une perte de contrôle ou un rebond.

**e) N'utilisez pas de lames de scie à chaîne ou dentées.** Ce type d'outil rapporté provoque fréquemment des contrecoups et une perte de contrôle de l'outil électrique.

**Mises en garde de sécurité spécifiques aux opérations de meulage et de tronçonnage abrasif :**

**a) Le protecteur doit être solidement fixé à l'outil électrique et placé en vue d'une sécurité maximale, de sorte que l'opérateur soit exposé le moins possible à la meule.** Le protecteur permet de protéger l'opérateur des fragments de meule cassée et d'un contact accidentel avec la meule.

**b) Les disques polisseurs à moyeu déporté devront être montés d'une façon telle que la surface de polissage ne dépasse pas le niveau du bord du protecteur.** Un disque polisseur non correctement monté dépassant le niveau du bord du protecteur ne pourra pas être protégé suffisamment.

**c) Utiliser uniquement des types de meules recommandés pour votre outil électrique et le protecteur spécifique conçu pour la meule choisie.** La protection sécurise l'utilisateur contre les fragments de disque cassé, un contact accidentel avec le disque et les étincelles pouvant provoquer l'inflammation des vêtements.

**d) Les meules doivent être utilisées uniquement pour les applications recommandées. Par exemple : ne pas meuler avec le côté de la meule à tronçonner.** Les meules à tronçonner abrasives sont destinées au meulage périphérique, l'application de forces latérales à ces meules peut les briser en éclats.

**e) Toujours utiliser des flasques de meule non endommagés qui sont de taille et de forme correctes pour la meule que vous avez choisie.** Des flasques de meule appropriés supportent la meule réduisant ainsi la possibilité de rupture de la meule. Les flasques pour les meules à tronçonner peuvent être différents des autres flasques de meule.

**f) Ne pas utiliser de meules usées d'outils électriques plus grands.** La meule destinée à un outil électrique plus grand n'est pas appropriée pour la vitesse plus élevée d'un outil plus petit et elle peut éclater.



## Mises en garde de sécurité additionnelles spécifiques aux opérations de tronçonnage abrasif

**a) Ne pas « coincer » la meule à tronçonner ou ne pas appliquer une pression excessive. Ne pas tenter d'exécuter une profondeur de coupe excessive.** Une contrainte excessive de la meule augmente la charge et la probabilité de torsion ou de blocage de la meule dans la coupe et la possibilité de rebond ou de rupture de la meule.

**b) Ne pas vous placer dans l'alignement de la meule en rotation ni derrière celle-ci.** Lorsque la meule, au point de fonctionnement, s'éloigne de votre corps, le rebond éventuel peut propulser la meule en rotation et l'outil électrique directement sur vous.

**c) Lorsque la meule se bloque ou lorsque la coupe est interrompue pour une raison quelconque, mettre l'outil électrique hors tension et tenir l'outil électrique immobile jusqu'à ce que la meule soit à l'arrêt complet. Ne jamais tenter d'enlever la meule à tronçonner de la coupe tandis que la meule est en mouvement sinon le rebond peut se produire.** Rechercher et prendre des mesures correctives afin d'empêcher que la meule ne se grippe.

**d) Ne pas reprendre l'opération de coupe dans la pièce à usiner. Laisser la meule atteindre sa pleine vitesse et rentrer avec précaution dans le tronçon.** La meule peut se coincer, venir chevaucher la pièce à usiner ou effectuer un rebond si l'on fait redémarrer l'outil électrique dans la pièce à usiner.

**e) Prévoir un support de panneaux ou de toute pièce à usiner surdimensionnée pour réduire le risque de pincement et de rebond de la meule.** Les grandes pièces à usiner ont tendance à fléchir sous leur propre poids. Les supports doivent être placés sous la pièce à usiner près de la ligne de coupe et près du bord de la pièce des deux côtés de la meule.

**f) Procéder avec une précaution supplémentaire pendant l'exécution d'une « coupe de poche » dans des parois existantes ou dans des zones borgnes.** La meule saillante peut couper des tuyaux de gaz ou d'eau, des câblages électriques ou des objets, ce qui peut entraîner des rebonds.

## Mises en garde de sécurité spécifiques aux opérations de ponçage:

**a) Ne pas utiliser de papier abrasif trop surdimensionné pour les disques de ponçage.** Suivre les recommandations des fabricants, lors du choix du papier abrasif. Un papier abrasif plus grand s'étendant au-delà du patin de ponçage présente un danger de lacération et peut provoquer un accrochage, une déchirure du disque ou un rebond.

## Mises en garde de sécurité spécifiques aux opérations de brossage métallique:

**a) Il convient d'être conscient du fait que les crins de brosse sont maintenus par la brosse même pendant une opération ordinaire. Ne pas surcharger les câbles par l'application d'une charge excessive sur la brosse.** Les crins de brosse peuvent pénétrer aisément dans les vêtements légers et/ou dans la peau.

**b) Si l'utilisation d'un protecteur est recommandée pour le brossage métallique, ne permettre aucune gêne du touret ou de la brosse métallique au protecteur.** Le touret ou la brosse métallique peut se dilater en diamètre en raison de la charge de travail et des forces centrifuges.

## AVIS COMPLÉMENTAIRES DE SÉCURITÉ ET DE TRAVAIL

Toujours vérifier que le bouton de verrouillage de la broche soit entièrement relâché avant d'allumer la machine ! Après avoir utilisé le verrouillage de la broche pour serrer / desserrer le disque abrasif, il est possible que le bouton puisse se bloquer dans la position de verrouillage.

L'usinage des métaux génère des étincelles. Veiller à ce que personne ne soit exposé à un danger. En raison du risque d'incendie, aucune matière inflammable ou combustible ne doit se trouver dans la zone de projection des étincelles. Ne pas utiliser d'aspirateur de poussières.

Éviter que les étincelles et la poussière produites lors du polissage

entrent en contact avec le corps.

Ne jamais intervenir dans la zone dangereuse lorsque la machine est en marche.

Ne jamais enlever les copeaux ni les éclats lorsque la machine est en marche.

Arrêter la machine tout de suite lorsqu'il y a des vibrations importantes ou que d'autres défauts surgissent. Contrôler la machine afin d'en trouver les causes.

Dans des conditions extrêmes (p. ex. métaux à meulage doux avec le mandrin et le disque en fibre vulcanisée), des impuretés importantes peuvent s'accumuler à l'intérieur de la meuleuse à matrice.

En raison de risques de court-circuit, veiller à ce qu'aucune pièce métallique ne pénètre dans les ouïes de ventilation.

**AVERTISSEMENT!** Danger de brûlures! Le disque et la pièce usinée deviennent chauds durant l'utilisation. Porter des gants lors du changement de disque ou au contact de la pièce usinée. Garder à tout moment les mains à l'écart de la zone de meulage.

**AVERTISSEMENT!** Pour réduire le risque d'incendie, de blessures corporelles et de dommages causés par un court-circuit, ne jamais immerger l'outil, le bloc-piles ou le chargeur dans un liquide ou laisser couler un fluide à l'intérieur de celui-ci. Les fluides corrosifs ou conducteurs, tels que l'eau de mer, certains produits chimiques industriels, les produits de blanchiment ou de blanchiment, etc., peuvent provoquer un court-circuit.

Ne pas ouvrir les accus interchangeables et les chargeurs et ne les stocker que dans des locaux secs. Les protéger contre l'humidité.

Ne charger les accus interchangeables du système M18 qu'avec le chargeur d'accus du système M18. Ne pas charger des accus d'autres systèmes.

## UTILISATION CONFORME AUX PRESCRIPTIONS

La meuleuse d'angle est destinée au meulage et à la coupe de métaux, de pierres, de béton et de matériaux en céramique ainsi qu'au ponçage et au brossage.

Utilisez pour vos découpes le capuchon de coupe que vous trouvez dans la gamme des accessoires.

Utiliser un capot de protection fermé contenu dans le programme d'accessoires pour les travaux de tronçonnage.

Le dispositif électrique est apte exclusivement à travailler à sec.

Seuls les disques abrasifs ou de coupe appropriés et leurs protecteurs associés (protecteur de meulage ou protecteur de coupe) comme décrit dans la section de spécification du produit de ce manuel doivent être placés sur la meuleuse d'angle. La meuleuse d'angle est conçue pour être portée à la main ; elle ne doit pas être montée sur un dispositif de fixation ou un établi.

Ne pas utiliser le produit d'une autre manière que celle indiquée pour l'usage auquel il est destiné.

## RISQUES RÉSIDUELS

Même en cas d'utilisation correcte, il n'est pas possible d'exclure tous les risques résiduels. Lors de l'utilisation, les risques suivants pourront être présents et l'utilisateur devra prêter une attention particulière en vue de les éviter :

- Blessures causées par les vibrations. Tenir le dispositif à l'aide de ses poignées et limiter les temps de travail et d'exposition.
- L'exposition au bruit peut causer des dommages auditifs. Porter une protection auditive et limiter la durée de l'exposition.
- Lésions oculaires causées par des particules de déchets. Toujours porter des lunettes de sécurité, de pantalon long, des gants et des chaussures robustes.
- Inhalation de gaz toxiques.

## REMARQUE CONCERNANT LES ACCUS LI-ION

### Utilisation d'accus Li-Ion

Recharger les accus avant utilisation après une longue période de non utilisation.

Une température supérieure à 50°C amoindrit la capacité des accus. Éviter les expositions prolongées au soleil ou au chauffage.

Tenir propres les contacts des accus et des chargeurs.

Pour une durée de vie optimale, les accus doivent être chargés à fond après l'utilisation.

Pour une plus longue durée de vie, enlever les batteries du chargeur de batterie quand celles-ci seront chargées.

En cas d'entreposage de la batterie pour plus de 30 jours:

Entreposer la batterie à 27°C environ dans un endroit sec.

Entreposer la batterie avec une charge d'environ 30% - 50%.

Recharger la batterie tous les 6 mois.

## Protection des accus Li-Ion

En cas d'une surcharge de l'accu à cause d'une très haute consommation de courant, par exemple suite à des couples extrêmement élevés, un arrêt soudain ou un court-circuit, l'outil électrique vibre pendant 5 secondes, l'indicateur de charge clignote et l'outil électrique se déconnecte automatiquement.

Pour le ré-enclencher, relâcher le poussoir de l'interrupteur, puis enclencher à nouveau l'appareil. Sous des sollicitations extrêmes, l'accu s'échauffe trop fortement. Dans ce cas, tous les témoins de l'indicateur de charge clignotent jusqu'à ce que l'accu se soit refroidi. Il est possible de continuer à travailler dès que l'indicateur de charge s'est éteint.

## Transport de batteries lithium-ion

Les batteries lithium-ion sont soumises aux dispositions législatives concernant le transport de produits dangereux.

Le transport de ces batteries devra s'effectuer dans le respect des dispositions et des normes locales, nationales et internationales.

Les utilisateurs peuvent transporter ces batteries sans restrictions.

Le transport commercial de batteries lithium-ion est réglé par les dispositions concernant le transport de produits dangereux. La préparation au transport et le transport devront être effectués uniquement par du personnel formé de façon adéquate. Tout le procédé devra être géré d'une manière professionnelle.

Durant le transport de batteries il faut respecter les consignes suivantes :

S'assurer que les contacts soient protégés et isolés en vue d'éviter des courts-circuits.

S'assurer que le groupe de batteries ne puisse pas se déplacer à l'intérieur de son emballage. Des batteries endommagées ou des batteries perdant du liquide ne devront pas être transportées. Pour tout renseignement complémentaire veuillez vous adresser à votre transporteur professionnel.

## CONSIGNES DE TRAVAIL

### Protection surcharge et retour

Le dispositif est pourvu de protection contre la surcharge, avec arrêt automatique, et contre les contre-coups. Éteignez l'outil électrique puis rallumez-le pour continuer à travailler.

### Démarrage en douceur

Démarrage électronique en douceur garantissant un maniement fiable tout en empêchant un démarrage brusque lors de la mise en marche de la machine.

Sur les machines prévues pour les outils abrasifs à orifice fileté, vérifiez que la profondeur du filetage est suffisante pour la longueur de la broche.

Toujours utiliser et conserver les meules polisseuses et à couper conformément aux indications du fabricant.

Ne jamais travailler sans capot protecteur pour des travaux de tronçonnage et de dégrossissage.

Les disques polisseurs à moyeu déporté devront être montés d'une façon telle que la surface de polissage ne dépasse pas le niveau du bord du protecteur.

L'écrou du flasque doit être serré avant de mettre en marche la machine.

Utiliser toujours la poignée supplémentaire.

La pièce à travailler doit être fortement serrée lorsque son propre poids ne suffit pas à la maintenir. Ne jamais guider la pièce à travailler à la main vers la meule.

L'écrou bridé doit être bien serré avant la mise en marche de la machine. Si l'outil à insertion avec écrou bridé n'est pas bien serré, on risque que l'outil à insertion perde la force nécessaire de serrage lors du freinage.

## LAVAGE







Tenir toujours propres les orifices de ventilation de la machine.

## ENTRETIEN

Utiliser uniquement les accessoires Milwaukee et les pièces détachées Milwaukee. Faire remplacer les composants dont le remplacement n'a pas été décrit, par un des centres de service après-vente Milwaukee (observer la brochure avec les adresses de garantie et de service après-vente).

Si besoin est, une vue éclatée de l'appareil peut être fournie. S'adresser, en indiquant bien le numéro porté sur la plaque signalétique, à votre station de service après-vente (voir liste jointe) ou directement à Techtronic Industries GmbH, Max-Eyth-Straße 10, 71364 Winnenden, Germany.

## SYMBOLES

	Veillez lire avec soin le mode d'emploi avant la mise en service
	ATTENTION! AVERTISSEMENT! DANGER!
	Avant tous travaux sur l'appareil retirer l'accu interchangeable.
	Ne pas utiliser le protecteur pour les opérations de coupe.
	Ne pas appliquer de la force.
	Appliquer la force.
	Toujours porter des lunettes protectrices en travaillant avec la machine.
	Portez une protection acoustique.
	Porter un masque de protection approprié contre les poussières.
	Porter des gants de protection!
	Toujours opérer à deux mains.
	Seulement pour des travaux de polissage.



	Seulement pour des travaux de coupe.
	Prendre garde à l'épaisseur de disque autorisée.
	Accessoires - Ces pièces ne font pas partie de la livraison. Il s'agit là de compléments recommandés pour votre machine et énumérés dans le catalogue des accessoires.
	Les dispositifs électriques ne sont pas à éliminer dans les déchets ménagers. Les dispositifs électriques et électroniques sont à collecter séparément et à remettre à un centre de recyclage en vue de leur élimination dans le respect de l'environnement. S'adresser aux autorités locales ou au détaillant spécialisé en vue de connaître l'emplacement des centres de recyclage et des points de collecte.
$n_0$	Vitesse de rotation nominale
V	Tension
	Courant continu
	Marque de conformité européenne
	Marque de conformité britannique
	Marque de conformité ukrainienne
001	
	Marque de conformité d'Eurasie

DATI TECNICI	M18 FSAG115X	M18 FSAG125X
Tipo di costruzione	Smerigliatrice a batteria	Smerigliatrice a batteria
Numero di serie	4830 49 01 XXXXXX MJJJ	4830 56 01 XXXXXX MJJJ
Tensione batteria	18 V	18 V
Numero giri nominale	8500 min <sup>-1</sup>	8500 min <sup>-1</sup>
Passo attacco codolo	M14	M14
D=Diametro disco abrasivo max.	115 mm	125 mm
d=Diametro Foro	22,2 mm	22,2
	b=Spessore disco levigatore max.	6 mm
	b=Spessore disco di taglio max. / min.	3 mm / 1 mm
	D=Diametro del disco abrasivo max.	115 mm
	D=Diametro spazzola metallica max.	75 mm
Peso secondo la procedura EPTA 01/2014 (Li-Ion 2,0 Ah ... 12,0 Ah)	2,4 ... 3,4 kg	2,4 ... 3,5 kg
Temperatura ambiente consigliata per il funzionamento	-18 ... +50 °C	
Batterie consigliate	M18B...; M18HB...	
Caricatori consigliati	M12-18...; M1418C6	
<b>Informazioni sulla rumorosità:</b> Valori misurati conformemente alla norma EN 60745. La misurazione A del livello di pressione acustica dell'utensile è di solito di:	82,7 dB(A) / 3 dB(A)	82,7 dB(A) / 3 dB(A)
Livello di rumorosità / Incertezza della misura K	93,7 dB(A) / 3 dB(A)	93,7 dB(A) / 3 dB(A)
Potenza della rumorosità / Incertezza della misura K		
<b>Utilizzare le protezioni per l'udito!</b>		
<b>Informazioni sulle vibrazioni:</b> Valori totali delle oscillazioni (somma di vettori in tre direzionmisurati conformemente alla norma EN 60745.		
Valore di emissione dell'oscillazione $a_w$ / Incertezza della misura K		
Smerigliatura di superfici	4,8 m/s <sup>2</sup> / 1,5 m/s <sup>2</sup>	5,5 m/s <sup>2</sup> / 1,5 m/s <sup>2</sup>
Levigatura con foglio abrasivo	1,1 m/s <sup>2</sup> / 1,5 m/s <sup>2</sup>	1,9 m/s <sup>2</sup> / 1,5 m/s <sup>2</sup>
Per altre applicazioni, come ad esempio troncatura alla mola o la molatura con spazzola d'acciaio, possono essere prodotti altri livelli di vibrazione!		

### AVVERTENZA!

Il/i valore/i di emissione acustica riportato/i in questa scheda informativa sono stati misurati conformemente a un metodo di prova standard sulla base della norma EN 60745 e possono essere utilizzati per confrontare gli utensili tra loro. Può/possono essere utilizzato/i anche per una valutazione preliminare dell'esposizione.

Il livello di vibrazione ed emissione acustica dichiarato rappresenta le applicazioni principali dell'utensile. Tuttavia, se l'utensile è utilizzato per applicazioni diverse, con accessori differenti o una manutenzione non adeguata, la vibrazione e l'emissione acustica potrebbero variare. Ciò può aumentare significativamente il livello di esposizione durante l'intera durata del lavoro.

Una stima del livello di esposizione alle vibrazioni e al rumore dovrebbe tenere conto anche dei periodi in cui l'utensile è spento o è in funzione ma non sta lavorando. Ciò può ridurre significativamente il livello di esposizione durante l'intera durata del lavoro.

Identificare le misure di sicurezza supplementari per proteggere l'operatore dagli effetti delle vibrazioni e/o del rumore, ad esempio eseguendo la manutenzione dell'utensile e degli accessori, mantenendo le mani calde e organizzando gli schemi di lavoro.

**AVVERTENZA!** E' necessario leggere tutte le indicazioni di sicurezza e le istruzioni. In caso di mancato rispetto delle avvertenze di pericolo e delle istruzioni operative si potrà creare il pericolo di scosse elettriche, incendi e/o incidenti gravi.

**Conservare tutte le avvertenze di pericolo e le istruzioni operative per ogni esigenza futura.**

### INDICAZIONI DI SICUREZZA PER LA SMERIGLIATRICE ANGOLARE

Istruzioni di sicurezza generali per lavori di levigatura, levigatura con carta vetrata, lavori con spazzole metalliche, troncatura:

**a) Questo elettro utensile è previsto per essere utilizzato come levigatrice, levigatrice per carta a vetro, spazzola metallica e troncatrice. Attenersi a tutte le avvertenze di pericolo, istruzioni, rappresentazioni e dati che si ricevono insieme all' elettro utensile.** In caso di mancata osservanza delle seguenti istruzioni vi è il pericolo di provocare una scossa elettrica, di sviluppare incendi e/o di provocare seri incidenti.

**b) Questo attrezzo elettrico non è idoneo per la lucidatura.** Qualsiasi utilizzo non previsto con il presente attrezzo elettrico può causare pericolo e lesioni.

**c) Non utilizzare nessun accessorio che la casa costruttrice non abbia esplicitamente previsto e raccomandato per questo elettro utensile.** Il semplice fatto che un accessorio possa essere fissato al Vostro elettro utensile non è una garanzia per un impiego sicuro.

d) Il numero di giri ammesso dell'accessorio impiegato deve essere almeno tanto alto quanto il numero massimo di giri riportato sull'elettrotensile. Un accessorio che gira più rapidamente di quanto consentito può rompersi in vari pezzi e venir lanciato intorno.

e) Il diametro esterno e lo spessore dell'accessorio montato devono corrispondere ai dati delle dimensioni dell'elettrotensile in dotazione. In caso di utilizzo di portautensili e di accessori di dimensioni sbagliate non sarà possibile schermarli oppure controllarli a sufficienza.

f) Le filettature degli accessori devono coincidere con la filettatura del mandrino portamola. Sugli accessori con fissaggio a flangia il foro per il mandrino di montaggio deve coincidere con il diametro della flangia di fissaggio. Accessori non adatti al mandrino di fissaggio del dispositivo si muoveranno in maniera eccentrica, vibreranno eccessivamente e potranno comportare la perdita del controllo sull'utensile.

g) Non utilizzare mai portautensili od accessori danneggiati. Prima di ogni utilizzo controllare i portautensili e gli accessori ed accertarsi che sui dischi abrasivi non vi siano scheggiature o crepature, che il platorello non sia soggetto ad incrinature, crepature o forte usura e che le spazzole metalliche non abbiano fili metallici allentati oppure rotti. Se l'elettrotensile oppure l'accessorio impiegato dovesse sfuggire dalla mano e cadere, accertarsi che questo non abbia subito nessun danno oppure utilizzare un accessorio intatto. Una volta controllato e montato il portautensile o accessorio, far funzionare l'elettrotensile per la durata di un minuto con il numero massimo di giri avendo cura di tenersi lontani e di impedire anche ad altre persone presenti di avvicinarsi al portautensile o accessorio in rotazione. Nella maggior parte dei casi i portautensili o accessori danneggiati si rompono nel corso di questo periodo di prova.

h) Indossare abbigliamento di protezione. A seconda dell'applicazione in corso utilizzare una visiera completa, maschera di protezione per gli occhi oppure occhiali di sicurezza. Per quanto necessario, portare maschere per polveri, protezione acustica, guanti di protezione oppure un grembiule speciale in grado di proteggervi da piccole particelle di levigatura o di materiale. Gli occhi dovrebbero essere protetti da corpi estranei espulsi in aria nel corso di diverse applicazioni. La maschera antipolvere e la maschera respiratoria devono essere in grado di filtrare la polvere provocata durante l'applicazione. Espo- nendosi per lungo tempo ad un rumore troppo forte vi è il pericolo di perdere l'udito.

i) Avere cura di evitare che altre persone possano avvicinarsi alla zona in cui si sta lavorando. Ogni persona che entra nella zona di operazione deve indossare un abbigliamento protettivo personale. Frammenti del pezzo in lavorazione oppure utensili rotti possono volar via oppure provocare incidenti anche al di fuori della zona diretta di lavoro.

j) Impugnare l'apparecchio sulle superfici di tenuta isolate mentre si eseguono lavori durante i quali l'utensile da taglio potrebbe entrare in contatto con cavi di corrente. L'eventuale contatto dell'utensile da taglio con un cavo sotto tensione potrebbe mettere sotto tensione le parti metalliche dell'apparecchio e provocare una folgorazione.

k) Non depositare mai l'utensile elettrico, prima che questo non si sia fermato completamente. L'utensile in rotazione può entrare in contatto con la superficie di appoggio facendovi perdere il controllo sulla macchina pneumatica.

l) Mai trasportare l'elettrotensile mentre questo dovesse essere ancora in funzione. Attraverso un contatto casuale l'utensile in rotazione potrebbe fare presa sugli indumenti oppure sui capelli dell'operatore e potrebbe arrivare a ferire seriamente il corpo dell'operatore.

m) Pulire regolarmente le feritoie di ventilazione dell'elettrotensile in dotazione. Il ventilatore del motore attira polvere nella carcassa ed una forte raccolta di polvere di metallo può provocare pericoli di origine elettrica.

n) Non utilizzare mai l'elettrotensile nelle vicinanze di materiali infiammabili. Le scintille possono far prendere fuoco questi materiali.

o) Non utilizzare mai accessori che richiedano refrigeranti liquidi. L'utilizzo di acqua o di altri liquidi refrigeranti può provocare una scossa di corrente elettrica.

#### Contraccolpo e relative avvertenze di pericolo

Un contraccolpo è l'improvvisa reazione in seguito ad aggancio-mento oppure blocco di accessorio in rotazione come può essere un disco abrasivo, platorello, spazzola metallica ecc. Aggancian- dosi oppure bloccandosi il portautensile o accessorio provoca un arresto improvviso della rotazione dello stesso. In questo caso l'operatore non è più in grado di controllare l'elettrotensile ed al punto di blocco si provoca un rimbalzo dello stesso che avviene nella direzione opposta a quella della rotazione del portautensile o dell'accessorio.

Se p. es. un disco abrasivo resta agganciato o bloccato nel pezzo in lavorazione, il bordo del disco abrasivo che si abbassa nel pezzo in lavorazione può rimanere impigliato provocando in questo modo una rottura oppure un contraccolpo del disco abrasivo. Il disco abrasivo si avvicina o si allontana dall'operatore a seconda della direzione di rotazione che ha nel momento in cui si blocca. In tali situazioni è possibile che le mole abrasive possano anche rompersi.

Un contraccolpo è la conseguenza di un utilizzo non appropriato oppure non corretto dell'elettrotensile. Esso può essere evitato soltanto prendendo misure adeguate di sicurezza come dalla descrizione che segue.

a) Tenere sempre ben saldo l'elettrotensile e portare il proprio corpo e le proprie braccia in una posizione che Vi permetta di compensare le forze di contraccolpo. Se disponibile, utilizzare sempre l'impugnatura supplementare in modo da poter avere sempre il maggior controllo possibile su forze di contraccolpi oppure momenti di reazione che si sviluppano durante la fase in cui la macchina raggiunge il regime di pieno carico. Prendendo appropriate misure di precauzione l'operatore può essere in grado di tenere sotto controllo le forze di contraccolpo e quelle di reazione a scatti.

b) Mai avvicinare la propria mano alla zona degli utensili in rotazione. L'accessorio potrebbe rimbalzare sulla vostra mano.

c) Evitare di avvicinarsi con il proprio corpo alla zona in cui l'elettrotensile viene mosso in caso di un contraccolpo. Un contraccolpo provoca uno spostamento improvviso dell'elettrotensile che si sviluppa nella direzione opposta a quella della rotazione della mola abrasiva al punto di blocco.

d) Operare con particolare attenzione in prossimità di spigoli, spigoli taglienti ecc. Avere cura di impedire che portautensili o accessori possano rimbalzare dal pezzo in lavorazione oppure possano rimanervi bloccati. L'utensile in rotazione ha la tendenza a rimanere bloccato in angoli, spigoli taglienti oppure in caso di rimbalzo. Ciò provoca una perdita del controllo oppure un contraccolpo.

e) Non utilizzare una lama a catena oppure dentata. Utensili di questo tipo causano spesso contraccolpi oppure comportano la perdita del controllo sull'utensile elettrico.

#### Particolari avvertenze di pericolo per operazioni di levigatura e di tronatura

a) Utilizzare esclusivamente utensili abrasivi che siano esplicitamente ammessi per l'elettrotensile in dotazione e sempre in combinazione con la cuffia di protezione prevista per ogni utensile abrasivo. Utensili abrasivi che non sono previsti per l'elettrotensile non possono essere sufficientemente schermati e sono insicuri.

b) I dischi levigatori con centro ribassato devono essere montati in maniera tale che la loro superficie di molatura non sporga oltre il livello del bordo della cuffia di protezione. Un disco levigatore montato non correttamente che sporga oltre il livello del bordo della cuffia di protezione non potrà essere sufficientemente schermato.

c) Utilizzare sempre la cuffia di protezione prevista per il tipo di utensile abrasivo utilizzato. La cuffia di protezione deve essere applicata con sicurezza all'elettrotensile e regolata in modo tale da poter garantire il massimo possibile di sicurezza, cioè, che la parte dell'utensile abrasivo che senza protezione indica verso l'operatore deve essere ridotta al minimo possibile. La protezione consente di proteggere l'utente dai frammenti del disco rotto, dal contatto accidentale con il disco e dalle scintille che potrebbero dare alla fiamme gli indumenti.

d) Utensili abrasivi possono essere utilizzati esclusivamente per le possibilità applicative esplicitamente raccomandate. P. es.: Mai eseguire lavori di levigatura con la superficie laterale di un disco abrasivo da taglio diritto. Mole abrasive da taglio diritto sono previste per l'asportazione di materiale con il bordo del disco. Esercitando dei carichi laterali su questi utensili abrasivi vi è il pericolo di romperli.

e) Per la mola abrasiva selezionata, utilizzare sempre flange di serraggio che siano in perfetto stato e che siano della corretta dimensione e forma. Flange adatte hanno una funzione di corretto supporto della mola abrasiva riducendo il più possibile il pericolo di una rottura della mola abrasiva. È possibile che vi sia una differenza tra flange per mole abrasive da taglio diritto e flange per mole abrasive di altro tipo.

f) Non utilizzare mai mole abrasive usurate previste per elettrotensili più grandi. Mole abrasive previste per elettrotensili più grandi non sono concepite per le maggiori velocità di elettrotensili più piccoli e possono rompersi.

#### Ulteriori avvertenze di pericolo specifiche per lavori di tronatura

a) Evitare che se bloquee il disco tronizador y una presión de aplicación excesiva. No intente realizar cortes demasiado profundos. Sottoponendo la mola da taglio diritto a carico eccessivo se ne aumenta la sollecitazione e la si rende maggiormente soggetta ad angolature improprie o a blocchi venendo così a creare il pericolo di contraccolpo oppure di rottura dell'utensile abrasivo.

b) Evitare di avvicinarsi alla zona anteriore o posteriore al disco abrasivo da taglio in rotazione. Quando l'operatore manovra la mola da taglio diritto nel pezzo in lavorazione in direzione opposta a quella della propria persona, può capitare che in caso di un contraccolpo il disco in rotazione faccia rimbalzare con violenza l'elettrotensile verso l'operatore.

c) Qualora il disco abrasivo da taglio diritto dovesse incepparsi oppure si dovesse interrompere il lavoro, spegnere l'elettrotensile e tenerlo fermo fino a quando il disco si sarà fermato completamente. Non tentare mai di estrarre il disco abrasivo dal taglio in esecuzione perché si potrebbe provocare un contraccolpo. Rilevare ed eliminare la causa per il blocco.

d) Mai rimettere l'elettrotensile in funzione fintanto che esso si trovi ancora nel pezzo in lavorazione. Prima di continuare ad eseguire il taglio procedendo con la dovuta attenzione, attendere che il disco abrasivo da taglio diritto abbia raggiunto la massima velocità. In caso contrario è possibile che il disco resti agganciato, scelzi dal pezzo in lavorazione oppure provochi un contraccolpo.

e) Dotare di un supporto adatto pannelli oppure pezzi in lavorazione di dimensioni maggiori in modo da ridurre il rischio di un contraccolpo dovuto ad un disco abrasivo da taglio diritto che rimane bloccato. Pezzi in lavorazione di dimensioni maggiori possono piegarsi sotto l'effetto del proprio peso. Provvedere a munire il pezzo in lavorazione di supporti adatti al caso specifico sia nelle vicinanze del taglio di tronatura che in quelle del bordo.

f) Operare con particolare cautela in presenza di "tagli ciechi" in pareti esistenti o altre zone non ispezionabili. Il disco abrasivo da taglio diritto che inizia il taglio sul materiale può provocare un contraccolpo se dovesse arrivare a troncature condutture del gas o dell'acqua, linee elettriche oppure oggetti di altro tipo.

Avvertenze di pericolo specifiche per lavori di levigatura con carta vetro:

a) Non utilizzare mai fogli abrasivi troppo grandi ma attenersi alle indicazioni del rispettivo produttore relative alle dimensioni dei fogli abrasivi. Fogli abrasivi che dovessero sporgere oltre il platorello possono provocare incidenti oppure blocchi, strappi dei fogli abrasivi oppure contraccolpi.

#### Avvertenze di pericolo specifiche per lavori con spazzole metalliche:

a) Tenere presente che le spazzole di fili metallici perdono frammenti di filo di metallo anche durante un uso normale. Non sovraccaricare i fili metallici esercitando una eccessiva pressione. I frammenti di fili metallici eiettati potrebbero facilmente penetrare attraverso abbigliamento leggero e/o la pelle.

b) Impiegando una cuffia di protezione si impedisce che la cuffia di protezione e la spazzola metallica possano toccarsi. I diametri delle spazzole a disco e delle spazzola a tazza possono essere aumentati attraverso forze di pressione e tramite l'azione di forze centrifugali.

#### ULTERIORI AVVISI DI SICUREZZA E DI LAVORO

Controllare sempre se il pulsante del blocco dell'alberino è completamente rilasciato prima di accendere lo strumento! Dopo aver usato il blocco dell'alberino per serrare / allentare il disco abrasivo, è possibile che il pulsante sia in posizione di blocco.

Smerigliando metalli si producono scintille. Attenzione a non mettere in pericolo l'incolumità di persone. Per via del pericolo di incendio, nessun tipo di materiale infiammabile può trovarsi nelle vicinanze (potenziale raggio delle scintille). Non utilizzare aspirapolveri.

Evitare che le scintille o la polvere prodotta durante la smerigliatura entrino in contatto con il corpo.

Non entrare nel raggio d'azione dell'utensile mentre è in funzione. Non rimuovere trucioli o schegge mentre l'utensile è in funzione.

Disinserire immediatamente la macchina in caso che si verificano delle forti oscillazioni oppure se si riscontrano altri difetti. Controllare la macchina per cercare di identificarne le cause.

In condizioni estreme (ad es. rettificazione delicata dei metalli con il mandrino e la mola in fibra vulcanizzata), una contaminazione significativa può accumularsi all'interno della smerigliatrice per stampi.

Non lasciare che nessuna parte metallica venga a contatto con l'apertura dell'areazione - pericolo di corto circuito

AVVERTENZA! Pericolo di ustioni! Il disco e il pezzo in lavorazione diventano roventi durante l'uso. Indossare guanti durante la sostituzione dei dischi o quando si toccano i pezzi da lavorare. Tenere sempre le mani lontano dall'area di rettificazione.

AVVERTENZA! Per ridurre il rischio d'incendio, di lesioni o di danni al prodotto causati da corto circuito, non immergere mai l'utensile, la batteria ricaricabile o il carica batterie in un liquido e non lasciare mai penetrare alcun liquido all'interno dei dispositivi e delle batterie. I fluidi corrosivi o conduttori come acqua salata, alcuni agenti chimici, agenti candeggianti o prodotti contenenti agenti candeggianti potrebbero provocare un corto circuito.

Non aprire né la batteria né il caricatore e conservarli solo in luogo asciutto. Proteggerli dalla umidità.

Le batterie del System M18 sono ricaricabili esclusivamente con i caricatori del System M18. Le batterie di altri sistemi non possono essere ricaricate.

## UTILIZZO CONFORME

La smerigliatrice serve a rettificare e tagliare metallo, pietra, calcestruzzo e materiali in ceramica, nonché per eseguire operazioni di sabbiatura e spazzolatura con spazzola metallica.

Utilizzare il tappo del taglio dalla gamma di accessori per applicazioni da taglio.

In caso di dubbi vanno rispettate indicazioni dei produttori degli accessori.

L'utensile elettrico è idoneo esclusivamente alla lavorazione a secco.

Si raccomanda di fissare nella smerigliatrice solo dischi per molare e dischi di taglio, assieme alle relative protezioni (protezione di rettifica o di taglio), come descritto nella sezione del presente manuale inerente alle specifiche del prodotto. La smerigliatrice è progettata per essere usata a mano; non deve essere montata su un apparecchio o su un banco da lavoro.

Non utilizzare il prodotto in altri modi diversi da quelli indicati per l'uso previsto.

## RISCHI RESIDUI

Anche in caso di utilizzo corretto non è possibile escludere tutti i rischi residui. Durante l'uso possono esistere i seguenti pericoli e l'utilizzatore deve porre particolare attenzione per evitarli:

- Lesioni causate da vibrazioni. Tenere il dispositivo sulle apposite impugnature e limitare i tempi di lavoro e di esposizione.
- L'esposizione al rumore può causare danni all'udito. Indossare una protezione per l'udito e limitare la durata dell'esposizione.
- Lesioni agli occhi causate da particelle di detriti. Indossare sempre occhiali di protezione, pantaloni lunghi pesanti, guanti e scarpe robuste.
- Inalazione di polveri tossiche.

## NOTE PER BATTERIE AGLI IONI DI LITIO

### Uso di batterie agli ioni di litio

Batterie non utilizzate per molto tempo devono essere ricaricate prima dell'uso.

A temperature superiori ai 50°C, la potenza della batteria si riduce.

Evitare di esporre l'accumulatore a surriscaldamento prolungato, dovuto ad esempio ai raggi del sole o ad un impianto di riscaldamento.

Per una ottimale vita utile è necessario ricaricare completamente le batterie dopo l'uso.

Per una più lunga durata, rimuovere le batterie dal caricabatterie quando saranno cariche.

In caso di immagazzinaggio della batteria per più di 30 giorni:

Immagazzinare la batteria a circa 27°C in ambiente asciutto.

Immagazzinare la batteria con carica di circa il 30% - 50%.

Ricaricare la batteria ogni 6 mesi.

### Protezione contro il sovraccarico di batterie agli ioni di litio

In caso di sovraccarico dell'accumulatore dovuto ad un consumo molto elevato di corrente, ad es. momenti di coppia estremamente elevati, arresto improvviso o corto circuito, l'utensile elettrico vibra per 5 secondi, il display di carica lampeggia e l'elettrotensile si spegne automaticamente.

Per riaccenderlo rilasciare l'interruttore e poi riaccenderlo. Se sottoposto a sollecitazioni estreme l'accumulatore si riscalda eccessivamente. In questo caso lampeggiano tutte le spie del display di carica finché l'accumulatore non è raffreddato. Quando il display di carica si spegne si può continuare a lavorare.

## Trasporto di batterie agli ioni di litio

Le batterie agli ioni di litio sono soggette alle disposizioni di legge sul trasporto di merce pericolosa.

Il trasporto di queste batterie deve avvenire rispettando le disposizioni e norme locali, nazionali ed internazionali.

Gli utilizzatori possono trasportare queste batterie su strada senza alcuna restrizione.

Il trasporto commerciale di batterie agli ioni di litio è regolato dalle disposizioni sul trasporto di merce pericolosa. Le preparazioni al trasporto ed il trasporto stesso devono essere svolti esclusivamente da persone idoneamente istruite. Tutto il processo deve essere gestito in maniera professionale.

Durante il trasporto di batterie occorre tenere conto di quanto segue:

Assicurarsi che i contatti siano protetti ed isolati per evitare corto circuiti.

Accertarsi che il gruppo di batterie non possa spostarsi all'interno dell'imballaggio. Batterie danneggiate o batterie che perdono liquido non devono essere trasportate. Per ulteriori informazioni si prega di contattare il proprio trasportatore.

## ISTRUZIONI DI LAVORO

### Protezione da sovraccarico e contraccolpo

Il dispositivo è provvisto di protezione contro il sovraccarico, con arresto automatico, e contro i contraccolpi. Spegnerne l'elettrotensile e poi riaccenderlo per riprendere il lavoro.

### Avviamento graduale

Avviamento elettronico graduale, non brusco, per garantire una presa più sicura

Per gli utensili previsti per il montaggio con mola con foro filettato, verificare che la filettatura della mola sia sufficientemente lunga da consentire l'inserimento del mandrino.

Utilizzare e conservare le mole smerigliatrici e da taglio sempre conformemente alle indicazioni della casa costruttrice.

Per sgrossare e tagliare utilizzare sempre la calotta di protezione.

I dischi levigatori con centro ribassato devono essere montati in maniera tale che la loro superficie di molatura non sporga oltre il livello del bordo della cuffia di protezione.

Il dado flangiato deve essere serrato prima dell'utilizzo della macchina.

Utilizzare sempre l'impugnatura laterale.

Il pezzo in lavorazione deve essere ben bloccato in posizione a meno che non resti stabile per via del proprio peso. Mai applicare a mano sulla mola il pezzo in lavorazione.

Il dado flangiato deve essere ben serrato prima dell'avvio della macchina. Se l'utensile ad inserto con dado flangiato non viene serrato bene, esiste il rischio che l'utensile ad inserto perda la necessaria forza di serraggio durante la frenatura.

## LAVAGGIO E PULIZIA

Tener sempre ben pulite le fessure di ventilazione dell'apparecchio.

## MANUTENZIONE

Usare solo accessori Milwaukee e pezzi di ricambio Milwaukee. Gruppi costruttivi la cui sostituzione non è stata descritta, devono essere fatti cambiare da un punto di servizio di assistenza tecnica al cliente Milwaukee (vedi depliant garanzia/indirizzi assistenza tecnica ai clienti).

In caso di mancanza del disegno esploso, può essere richiesto al seguente indirizzo: Techtronic Industries GmbH, Max-Eyth-Straße 10, 71364 Winnenden, Germany.

## SIMBOLI



Leggere attentamente le istruzioni per l'uso prima di mettere in funzione l'elettrotensile.



ATTENZIONE! AVVERTENZA! PERICOLO!



Prima di iniziare togliere la batteria dalla apparecchio.



Non usare la protezione per operazioni di taglio.



Non applicare forza.



Applicare la forza.



Durante l'uso dell'apparecchio utilizzare sempre gli occhiali di protezione.



Indossare protezioni acustiche adeguate.



Portare un'adeguata mascherina protettiva.



Indossare guanti protettivi!



Usare l'utensile sempre con due mani.



Solo per lavori di smerigliatura.



Solo per lavori di taglio.



Prestare attenzione allo spessore consentito del disco.



Accessorio - Non incluso nella dotazione standard, disponibile a parte come accessorio.



I dispositivi elettrici non devono essere smaltiti con i rifiuti domestici. I dispositivi elettrici ed elettronici devono essere raccolti separatamente e devono essere conferiti ad un centro di riciclaggio per lo smaltimento rispettoso dell'ambiente. Chiedere alle autorità locali o al rivenditore specializzato dove si trovano i centri di riciclaggio e i punti di raccolta.

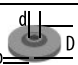
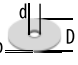

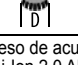
$n_0$

Numero giri nominale

V

Voltaggio

	Corrente continua
	Marchio di conformità europeo
	Marchio di conformità britannico
	Marchio di conformità ucraino
	Marchio di conformità euroasiatico

DATOS TÉCNICOS	M18 FSAG115X	M18 FSAG125X
Tipo de construcción	Amoladora Angular a Batería	Amoladora Angular a Batería
Número de producción	4830 49 01 XXXXXX MJJJJ	4830 56 01 XXXXXX MJJJJ
Voltaje de batería	18 V	18 V
Revoluciones nominales	8500 min <sup>-1</sup>	8500 min <sup>-1</sup>
Rosca de eje de trabajo	M14	M14
D=Diám. disco de amolado máx.	115 mm	125 mm
d=Ø del taladro	22,2 mm	22,2
 b=Espesor del disco abrasivo máx.	6 mm	6 mm
 b=espesor de la muela de tronzar máx. / mín.	3 mm / 1 mm	3 mm / 1 mm
 D=Diámetro del disco de lijado máx.	115 mm	125 mm
 D=Diámetro de los cepillos metálicos máx.	75 mm	75 mm
Peso de acuerdo con el procedimiento EPTA 01/2014 (Li-Ion 2,0 Ah ... 12,0 Ah)	2,4 ... 3,4 kg	2,4 ... 3,5 kg
Temperatura ambiente recomendada para la operación	-18 ... +50 °C	
Juegos de baterías recomendados	M18B...; M18HB...	
Cargadores recomendados	M12-18...; M1418C6	

**Información sobre ruidos:** Determinación de los valores de medición según norma EN 60745. El nivel de ruido típico del aparato determinado con un filtro A corresponde a:

Presión acústica / Tolerancia K	82,7 dB(A) / 3 dB(A)	82,7 dB(A) / 3 dB(A)
Resonancia acústica / Tolerancia K	93,7 dB(A) / 3 dB(A)	93,7 dB(A) / 3 dB(A)

#### Usar protectores auditivos!

**Informaciones sobre vibraciones:** Nivel total de vibraciones (suma vectorial de tres direcciones) determinado según EN 60745.

Valor de vibraciones generadas a<sub>h</sub> / Tolerancia K

Lijado de superficies	4,8 m/s <sup>2</sup> / 1,5 m/s <sup>2</sup>	5,5 m/s <sup>2</sup> / 1,5 m/s <sup>2</sup>
Lijar con hoja lijadora	1,1 m/s <sup>2</sup> / 1,5 m/s <sup>2</sup>	1,9 m/s <sup>2</sup> / 1,5 m/s <sup>2</sup>

En el caso de otras aplicaciones, como p. ej. el tronzamiento con la muela o el esmerilado con cepillo de alambre de acero pueden resultar otros valores de vibración.

## ⚠ ADVERTENCIA!

El nivel de emisión de ruido y vibración indicado en esta hoja informativa se ha medido de acuerdo con una prueba estandarizada que figura en EN 60745 y se puede usar para comparar una herramienta con otra. Puede ser empleado para una evaluación preliminar de la exposición.

El nivel declarado emisión de vibración y ruido representa las principales aplicaciones de la herramienta. Sin embargo, si la herramienta se utiliza para diferentes aplicaciones, con diferentes accesorios o con un mantenimiento deficiente, la emisión de ruido y vibración puede diferir. Esto puede aumentar significativamente el nivel de exposición durante el periodo total de trabajo.

También se debe tener en cuenta una estimación del nivel de exposición a la vibración y el ruido cuando la herramienta está apagada o cuando está funcionando, pero no está haciendo su trabajo. Esto puede reducir significativamente el nivel de exposición durante el periodo total de trabajo.

Identifique medidas de seguridad adicionales para proteger al operador de los efectos de la vibración o el ruido, como realizar mantenimiento de la herramienta y los accesorios, mantener las manos calientes y organizar las pautas de trabajo.

**⚠ ADVERTENCIA!** Rogamos leer las indicaciones de seguridad y las instrucciones. En caso de no atenerse a las advertencias de peligro e instrucciones siguientes, ello puede ocasionar una descarga eléctrica, un incendio y/o lesión grave.

**Guardar todas las advertencias de peligro e instrucciones para futuras consultas.**

### INSTRUCCIONES DE SEGURIDAD PARA LA AMOLADORA DE ANGULO

**Advertencias de peligro generales al realizar trabajos de amolado, lijado, con cepillos de alambre, tronzado:**

**a) Esta herramienta eléctrica ha sido concebida para amolar, lijar, trabajar con cepillos de alambre y tronzar. Observe todas las advertencias de peligro, instrucciones, ilustraciones y especificaciones técnicas que se suministran con la herramienta eléctrica.** En caso de no atenerse a las instrucciones siguientes, ello puede provocar una electrocución, incendio y/o lesiones serias.

**b) Esta herramienta eléctrica no es adecuada para pulir.** El uso de la herramienta para un fin no previsto puede conllevar riesgos y causar heridas.

**c) No emplee accesorios diferentes de aquellos que el fabricante haya previsto o recomendado especialmente para esta herramienta eléctrica.** El mero hecho de que sea acoplable un accesorio a su herramienta eléctrica no implica que su utilización resulte segura.

**d) Las revoluciones admisibles del útil deberán ser como mínimo iguales a las revoluciones máximas indicadas en la herramienta eléctrica.** Aquellos accesorios que giren a unas revoluciones mayores a las admisibles pueden llegar a romperse y salir despedidos.

**e) El diámetro exterior y el grosor del útil deberán corresponder con las medidas indicadas para su herramienta eléctrica.** Los útiles de dimensiones incorrectas no pueden protegerse ni controlarse con suficiente seguridad.

**f) Las roscas de los accesorios deben concordar con las roscas del husillo portamuela. En los accesorios que se sujetan por bridas, el agujero para el mandril de sujeción debe concordar en el accesorio con el diámetro de la brida de localización.** Los accesorios que no se acoplen perfectamente en el mandril de montaje del aparato se desequilibran, vibran excesivamente y pueden causar la pérdida de control sobre la herramienta.

**g) No use útiles dañados. Antes de cada uso inspeccione el estado de los útiles con el fin de detectar, p. ej., si están desportillados o fisurados los útiles de amolar, si está agrietado o muy desgastado el plato lijador, o si las púas de los cepillos de alambre están flojas o rotas. Si se le cae la herramienta eléctrica o el útil, inspeccione si han sufrido algún daño o monte otro útil en correctas condiciones. Una vez controlado y montado el útil sitúese Vd. y las personas circundantes fuera del plano de rotación del útil y deje funcionar la herramienta eléctrica en vacío, a las revoluciones máximas, durante un minuto.** Por lo regular, aquellos útiles que estén dañados suelen romperse al realizar esta comprobación.

**h) Utilice un equipo de protección personal. Dependiendo del trabajo a realizar use una careta, una protección para los ojos, o unas gafas de protección. Si procede, emplee una mascarilla antipolvo, protectores auditivos, guantes de protección o un mandil especial adecuado para protegerle de los pequeños fragmentos que pudieran salir proyectados al desprenderse del útil o pieza.** Las gafas de protección deberán ser indicadas para protegerle de los fragmentos que pudieran salir despedidos al trabajar. La mascarilla antipolvo o respiratoria deberá ser apta para filtrar las partículas producidas al trabajar. La exposición prolongada al ruido puede provocar sordera.

**i) Cuide que las personas en las inmediaciones se mantengan a suficiente distancia de la zona de trabajo. Toda persona que acceda a la zona de trabajo deberá utilizar un equipo de protección personal.** Podrían ser lesionadas, incluso fuera del área de trabajo inmediato, al salir proyectados fragmentos de la pieza de trabajo o del útil.

**j) Sujete el aparato de las superficies aisladas de agarre al efectuar trabajos en los cuales la perforadora de percusión pueda entrar en contacto con conductores de corriente ocultos.** El contacto de la perforadora de percusión con un conducto con energía aplicada también podrá poner bajo tensión partes metálicas del aparato y causar un choque eléctrico.

**k) No deposite jamás la herramienta eléctrica antes de que la herramienta intercambiable haya dejado de girar por completo.** El útil en funcionamiento puede llegar a tocar la base de apoyo y hacerle perder el control sobre la herramienta eléctrica.

**l) No deje funcionar la herramienta eléctrica mientras la transporta.** El útil en funcionamiento podría lesionarle al engancharse accidentalmente con su vestimenta.

**m) Limpie periódicamente las rejillas de refrigeración de su herramienta eléctrica.** El ventilador del motor aspira polvo hacia el interior de la carcasa, por lo que, en caso de una acumulación fuerte de polvo metálico, ello puede provocar una descarga eléctrica.

**n) No utilice la herramienta eléctrica cerca de materiales combustibles.** Las chispas producidas al trabajar pueden llegar a incendiar estos materiales.

**o) No emplee útiles que requieran ser refrigerados con líquidos.** La aplicación de agua u otros refrigerantes líquidos puede comportar una descarga eléctrica.

#### Causas del rechazo y advertencias al respecto

El rechazo es un reacción brusca que se produce al atascarse o engancharse el útil, como un disco de amolar, plato lijador, cepillo, etc. Al atascarse o engancharse el útil en funcionamiento, éste es frenado bruscamente. Ello puede hacerle perder el control sobre la herramienta eléctrica y hacer que ésta salga impulsada en dirección opuesta al sentido de giro que tenía el útil.

En el caso, p. ej., de que un disco amolador se atasque o bloquee en la pieza de trabajo, puede suceder que el canto del útil que penetra en el material se enganche, provocando la rotura del útil o el rechazo del aparato. Según el sentido de giro y la posición del útil en el momento de bloquearse puede que éste resulte despedido hacia, o en sentido opuesto al usuario. En estos casos puede suceder que el útil incluso llegue a romperse.

El rechazo es ocasionado por la aplicación o manejo incorrecto de la herramienta eléctrica. Es posible evitarlo ateniéndose a las medidas preventivas que a continuación se detallan.

**a) Sujete con firmeza la herramienta eléctrica y mantenga su cuerpo y brazos en una posición propicia para resistir las fuerzas de reacción. Si forma parte del aparato, utilice siempre la empuñadura adicional para poder soportar mejor las fuerzas del rechazo, además de los pares de reacción que se presentan en la puesta en marcha.** El usuario puede controlar las fuerzas del rechazo y de reacción si toma unas medidas preventivas oportunas.

**b) Jamás aproxime su mano al útil en funcionamiento.** El accesorio puede hacer un contragolpe en la mano.

**c) No se sitúe dentro del área hacia el que se movería la herramienta eléctrica al ser rechazada.** Al resultar rechazada, la herramienta eléctrica saldrá despedida desde el punto de bloqueo en dirección opuesta al sentido de giro del útil.

**d) Tenga especial precaución al trabajar esquinas, cantos afilados, etc. Evite que el útil de amolar rebote contra la pieza de trabajo o que se atasque.** En las esquinas, cantos afilados, o al rebotar, el útil en funcionamiento tiende a atascarse. Ello puede hacerle perder el control o causar un rechazo del útil.

**e) No use hojas de cadena cortante o dentadas.** Estas herramientas intercambiables generan con frecuencia un contragolpe o la pérdida del control sobre la herramienta eléctrica.

#### Instrucciones de seguridad específicas para operaciones de amolado y tronzado

**a) Use exclusivamente útiles homologados para su herramienta eléctrica, en combinación con la caperuza protectora prevista para estos útiles.** Los útiles que no fueron diseñados para su uso en esta herramienta eléctrica pueden quedar insuficientemente protegidos y suponen un riesgo.

**b) Discos lijadores con centro rebajado deberán montarse de tal forma que su superficie abrasiva no sobresalga la superficie del borde de la cubierta protectora.** Un disco lijador montado de forma no apropiada, que sobresalga de la superficie del borde de la cubierta protectora, no podrá ser protegido de manera suficiente.

**c) Siempre emplee la caperuza protectora prevista para el útil que va a usar.** La caperuza protectora deberá montarse firmemente en la herramienta eléctrica cuidando que quede orientada de manera que ofrezca una seguridad máxima, o sea, cubriendo al máximo la parte del útil a la que queda expuesta el usuario. El protector ayuda a proteger al operario de los fragmentos rotos de disco, del contacto accidental con el disco y las chispas que podrían prender la ropa.

**d) Solamente emplee el útil para aquellos trabajos para los que fue concebido.** Por ejemplo, no emplee las caras de los discos tronzadores para amolar. En los útiles de tronzar, el arranque de material se lleva a cabo con los bordes del disco. Si estos útiles son sometidos a un esfuerzo lateral, ello puede provocar su rotura.

**e) Siempre use para el útil seleccionado una brida en perfecto estado con las dimensiones y forma correctas.** Una brida adecuada soporta convenientemente el útil reduciendo así el peligro de rotura. Las bridas para discos tronanzadores pueden ser diferentes de aquellas para otros discos de amolar.

**f) No intente aprovechar los discos amoladores de otras herramientas eléctricas más grandes, aunque su diámetro exterior se haya reducido suficientemente por el desgaste.** Los discos amoladores destinados para herramientas eléctricas grandes no son aptos para soportar las velocidades periféricas más altas a las que trabajan las herramientas eléctricas más pequeñas, y pueden llegar a romperse.

#### Instrucciones de seguridad adicionales específicas para el tronzado

**a) Evite que se bloquee el disco tronizador y una presión de aplicación excesiva. No intente realizar cortes demasiado profundos.** Al solicitar en exceso el disco tronizador éste es más propenso a ladearse, bloquearse, a ser rechazado, o a romperse.

**b) No se coloque delante o detrás del disco tronizador en funcionamiento, alineado con la trayectoria del corte.** Mientras que al cortar, el disco tronizador es guiado en sentido opuesto a su cuerpo, en caso de un rechazo el disco tronizador y la herramienta eléctrica son impulsados directamente contra Vd.

**c) Si el disco tronizador se bloquea, o si tuviese que interrumpir su trabajo, desconecte la herramienta eléctrica y manténgala en esa posición, sin moverla, hasta que el disco tronizador se haya detenido por completo. Jamás intente sacar el disco tronizador en marcha de la ranura de corte, ya que ello podría provocar un rechazo.** Investigue y subsane la causa del bloqueo.

**d) No intente proseguir el corte, estando insertado el disco tronizador en la ranura de corte. Una vez fuera de la ranura de corte, espere a que el disco tronizador haya alcanzado las revoluciones máximas, y prosiga entonces el corte con cautela.** En caso contrario el disco tronizador podría bloquearse, salirse de la ranura de corte, o resultar rechazado.

**e) Soporte las planchas u otras piezas de trabajo grandes para reducir el riesgo de bloqueo o rechazo del disco tronizador.** Las piezas de trabajo grandes tienden a curvarse por su propio peso. La pieza de trabajo deberá apoyarse desde abajo a ambos lados tanto cerca de la línea de corte como en los bordes.

**f) Proceda con especial cautela al realizar recortes „por inmersión“ en paredes existentes o en zonas de reducida visibilidad.** El disco tronizador puede ser rechazado al tocar tuberías de gas o agua, conductores eléctricos, u otros objetos.

#### Instrucciones de seguridad específicas para trabajos con hojas lijadoras:

**a) No use hojas lijadoras más grandes que el soporte, ateniéndose para ello a las dimensiones que el fabricante recomienda.** Las hojas lijadoras de un diámetro mayor que el plato lijador pueden provocar un accidente, fisurarse, o provocar un rechazo.

#### Instrucciones de seguridad específicas para el trabajo con cepillos de alambre:

**a) Tenga en cuenta que las púas de los cepillos de alambre pueden desprenderse también durante un uso normal. No fuerce las púas ejerciendo una fuerza de aplicación excesiva.** Las púas despreñadas pueden traspasar muy fácilmente tela delgada y/o la piel.

**b) En caso de recomendarse el uso de una caperuza protectora, evite que el cepillo de alambre alcance a rozar contra la caperuza protectora.** Los cepillos de plato y de vaso pueden aumentar su diámetro por efecto de la presión de aplicación y de la fuerza centrífuga.

#### INSTRUCCIONES ADICIONALES DE SEGURIDAD Y LABORALES

¡Siempre verifique que el botón de bloqueo del husillo esté completamente liberado antes de encender la herramienta! Después de usar el bloqueo del husillo para apretar / aflojar el disco abrasivo, puede ser que el botón se quede en la posición de bloqueo.

Al amolar metales se proyectan chispas. Cuidar de no poner

en peligro a personas. Debido al peligro de incendio no deben encontrarse cerca (en el área de alcance de las chispas) materiales inflamables. No utilice extracción de polvo en este caso.

Evite que chispas y polvo de pulido puedan alcanzar el cuerpo.

No manipular en el rodillo ni en las cuchillas con la máquina conectada.

Nunca se debe intentar limpiar el polvo o viruta procedente del taladrado con la máquina en funcionamiento.

Desconectar inmediatamente el aparato al presentarse vibraciones fuertes u otras anomalías. Examine la máquina para determinar las posibles causas.

En condiciones extremas (p. ej., esmerilado liso de metales con el mandril y el disco de fibra vulcanizada), se puede acumular una contaminación significativa en el interior de la esmeriladora.

Evite que cualquier pieza metálica alcance las ranuras de ventilación - ¡peligro de cortocircuito!

**ADVERTENCIA!** ¡Peligro de quemaduras! El disco y la pieza de trabajo se calentarán durante el uso. Use guantes cuando cambie discos o toque la pieza de trabajo. Mantenga las manos alejadas del área de desbaste en todo momento.

**ADVERTENCIA!** Para reducir el riesgo de incendio, lesiones personales y daños al producto debido a un cortocircuito, no sumerja nunca la herramienta, el paquete de baterías o el cargador en líquido ni permita que fluya un fluido dentro de ellos. Los fluidos corrosivos o conductivos, como el agua de mar, ciertos productos químicos industriales y blanqueadores o lejías que contienen, etc., Pueden causar un cortocircuito.

No abra nunca las baterías ni los cargadores y guárdelos sólo en lugares secos. Protéjalos de la humedad en todo momento.

Recargue solamente los acumuladores del Sistema M18 en cargadores M18. No intentar recargar acumuladores de otros sistemas.

#### APLICACIÓN DE ACUERDO A LA FINALIDAD

La amoladora angular está diseñada para moler y cortar metal, piedra, hormigón y materiales cerámicos, así como para lijar y cepillar con alambre.

Utilice la tapa de corte de la gama de accesorios para la aplicación de corte.

En caso de dudas, observe las indicaciones de los fabricantes de los accesorios.

La herramienta eléctrica sirve únicamente para el trabajo en seco

Solo deben montarse discos de desbaste o corte apropiados y protectores relacionados (protector de desbaste o de corte), como se describe en la sección de especificaciones del producto de este manual. La amoladora angular está diseñada para uso portátil; no debe montarse en un dispositivo o banco de trabajo.

No use el producto de ninguna manera que no sea la indicada para el uso previsto.

#### PELIGROS RESIDUALES

Incluso en caso de un uso correcto, no es posible excluir por completo la existencia de riesgos residuales. Durante el uso de la máquina se pueden producir los siguientes riesgos a tener en cuenta especialmente por el operador de la misma.

- Lesiones provocadas por efecto de la vibración. Sujete el dispositivo utilizando las empuñaduras previstas para ello y limite el tiempo de trabajo y de exposición a riesgos.
- La contaminación acústica puede provocar lesiones auditivas. Lleve una protección auditiva y limite el tiempo de exposición a riesgos.
- Lesiones oculares producidas por partículas de suciedad. Lleve siempre gafas protectoras, pantalones resistentes y largos y calzado resistente.
- Inhalación de polvos tóxicos.

#### INDICACIONES PARA BATERÍAS DE IONES DE LITIO

##### Uso de baterías de iones de litio

Las baterías no utilizadas durante cierto tiempo deben ser recargadas antes de usar.

Las temperaturas superiores a 50°C reducen el rendimiento de la batería. Evite una exposición excesiva a fuentes de calor o al sol (riesgo de sobrecalentamiento).

Los puntos de contacto de los cargadores y las baterías se deben mantener limpios.

Para un tiempo óptimo de vida, deberán cargarse las baterías completamente después de su uso.

Para garantizar la máxima capacidad y vida útil, las baterías recargables se deberían retirar del cargador una vez finalizada la carga.

En caso de almacenar la batería recargable más de 30 días:

Almacenar la batería recargable en un lugar seco a una temperatura de aproximadamente 27°C.

Almacenar la batería recargable con un estado de carga del 30% y 50% aproximadamente.

Recargar la batería cada 6 meses.

##### Protección de sobrecarga de baterías en baterías de iones de litio

En caso de sobrecarga de la batería a causa de un consumo de corriente demasiado elevado, por ejemplo, en momentos de torsión extremadamente altos, de una parada o cortocircuito repentinos; el aparato eléctrico vibra durante 5 segundos, el indicador de carga parpadea y el aparato eléctrico se desconecta automáticamente.

Para conectarlo de nuevo, soltar el botón de encendido y después conectarlo otra vez. Bajo cargas extremas la batería se calienta demasiado. En este caso, todas las luces del indicador de carga parpadean hasta que la batería se enfría. Cuando se apaga el indicador de carga se puede trabajar de nuevo.

##### Transporte de baterías de iones de litio

Las baterías de iones de litio caen bajo las disposiciones legales relativas al transporte de mercancías peligrosas.

El transporte de estas baterías recargables debe llevarse a cabo, observando las normas y disposiciones locales, nacionales e internacionales.

Los consumidores pueden transportar estas baterías recargables sin el menor reparo en la calle.

El transporte comercial de baterías recargables de iones de litio por empresas de transportes está sometido a las disposiciones del transporte de mercancías peligrosas. Las preparaciones para el envío y el transporte deben ser llevados a cabo exclusivamente por personas instruidas adecuadamente. El proceso completo debe ser supervisado por personal competente.

Los siguientes puntos se deben observar para el transporte de las baterías recargables:

Se debe asegurar que los contactos estén protegidos y aislados para evitar que se produzcan cortocircuitos.

Preste atención a que el conjunto de baterías recargables no se pueda desplazar dentro del envase. Las baterías recargables deterioradas o derramadas no se deben transportar. Rogamos que para cualquier información adicional se dirija a su empresa de transportes.

#### INDICACIONES PARA EL TRABAJO

##### Protección contra sobrecarga y golpe de retroceso

El equipo dispone de una función protectora contra overload y anti-kickback y se detiene en caso de la correspondiente sobrecarga. Desconectar la herramienta eléctrica y luego volver a encenderla para seguir trabajando.

##### Arranque suave

Arranque suave electrónico, para una segura manejabilidad, evita un brusco retroceso al conectar la máquina.

En las herramientas que llevan una muela con agujero roscado, cerciórese de que la rosca en la muela es lo suficientemente larga para aceptar la longitud del vástago.

Utilice y guarde siempre los discos de amolar y las muelas de tronzar según las indicaciones del fabricante.

Utilice siempre la cubierta de protección en trabajos de desbaste y separación.

Discos lijadores con centro rebajado deberán montarse de tal forma que su superficie abrasiva no sobresalga la superficie del borde de la cubierta protectora.

La tuerca de apriete se debe asegurar antes de comenzar a trabajar con la máquina.

Emplear siempre el asidero adicional.

La pieza de trabajo debe fijarse adecuadamente, a no ser que se mantenga bien fija por su propio peso. Jamás mueva la pieza de trabajo con la mano contra el disco.

La tuerca de brida debe estar apretada firmemente antes de la puesta en marcha de la máquina. En caso de que el útil no se apriete firmemente con la tuerca de brida, existe la posibilidad de que el útil pierda la fuerza de apriete necesaria durante el frenado.

#### LIMPIEZA






Las ranuras de ventilación de la máquina deben estar despejadas en todo momento.

#### MANTENIMIENTO

Utilice solamente accesorios y repuestos Milwaukee. En caso de necesitar reemplazar componentes no descritos, contacte con cualquiera de nuestras estaciones de servicio Milwaukee (consultar lista de servicio técnicos)

En caso necesario, puede solicitar un despiece de la herramienta. Por favor indique el número de impreso que hay en la etiqueta y pida el despiece a la siguiente dirección: Techtronic Industries GmbH, Max-Eyth-Straße 10, 71364 Winnenden, Germany.

#### SÍMBOLOS

	Lea las instrucciones detenidamente antes de conectar la herramienta
	¡ATENCIÓN! ¡ADVERTENCIA! ¡PELIGRO!
	Retire la batería antes de comenzar cualquier trabajo el aparato.
	No utilice la guarda para operaciones de corte.
	No aplique fuerza.

	Aplicar fuerza.
	Para trabajar con la máquina, utilizar siempre gafas de protección.
	¡Utilice protección auditiva!
	Utilice por ello una máscara protectora contra polvo.
	Usar guantes protectores
	Utilice siempre la herramienta con dos manos.
	Únicamente para trabajos de pulido.
	Únicamente para trabajos de separación.
	Preste atención al grosor permitido del disco.
	Accesorio - No incluido en el equipo estándar, disponible en la gama de accesorios.
	Los aparatos eléctricos no se deben eliminar junto con la basura doméstica. Los aparatos eléctricos y electrónicos se deben recoger por separado y se deben entregar a una empresa de reciclaje para una eliminación respetuosa con el medio ambiente. Infórmese en las autoridades locales o en su tienda especializada sobre los centros de reciclaje y puntos de recogida.
	Revoluciones nominales
	Tensión
	Corriente continua
	Marcado de conformidad europeo
	Marcado de conformidad británico
	Marcado de conformidad ucraniano
	Marcado de conformidad euroasiático

CARACTERÍSTICAS TÉCNICAS	M18 FSAG115X	M18 FSAG125X
Tipo	Rebarbadora Angular a Batería	Rebarbadora Angular a Batería
Número de produção	4830 49 01 XXXXXX MJJJ	4830 56 01 XXXXXX MJJJ
Tensão do acumulador	18 V	18 V
Número de rotações nominal	8500 min <sup>-1</sup>	8500 min <sup>-1</sup>
Rosca do veio de trabalho	M14	M14
D=Diámetro do disco no máx.	115 mm	125 mm
d=Ø do orifício	22,2 mm	22,2
	b=Espessura do rebolo de lixa no máx.	6 mm
	b=Espessura do rebolo separador no máx. / no mín.	3 mm / 1 mm
	D=Diámetro do disco abrasivo no máx.	115 mm
	D=Diámetro da superfície da escova tipo copo no máx.	75 mm
Peso nos termos do procedimento-EPTA 01/2014 (Li-Ion 2,0 Ah ... 12,0 Ah)	2,4 ... 3,4 kg	2,4 ... 3,5 kg
Temperatura ambiente recomendada para a operação	-18 ... +50 °C	
Conjuntos de baterias recomendados	M18B...; M18HB...	
Carregadores recomendados	M12-18...; M1418C6	
<b>Informações sobre ruído:</b> Valores de medida de acordo com EN 60745. O nível de ruído avaliado A do aparelho é tipicamente:		
Nível da pressão de ruído / Incerteza K	82,7 dB(A) / 3 dB(A)	82,7 dB(A) / 3 dB(A)
Nível da potência de ruído / Incerteza K	93,7 dB(A) / 3 dB(A)	93,7 dB(A) / 3 dB(A)
<b>Use protectores auriculares!</b>		
<b>Informações sobre vibração:</b> Valores totais de vibração (soma dos vectores das três direcções) determinadas conforme EN 60745.		
Valor de emissão de vibração a <sub>v</sub> / Incerteza K		
Lixamento superficial	4,8 m/s <sup>2</sup> / 1,5 m/s <sup>2</sup>	5,5 m/s <sup>2</sup> / 1,5 m/s <sup>2</sup>
Rectificar com disco abrasivo	1,1 m/s <sup>2</sup> / 1,5 m/s <sup>2</sup>	1,9 m/s <sup>2</sup> / 1,5 m/s <sup>2</sup>
Em caso de outras aplicações, como p.ex. separar por rectificação ou lixar com escova de arame, podem resultar outros valores de vibração!		

### ATENÇÃO!

O nível de emissão de ruído e vibração fornecido nesta ficha de informações foi medido de acordo com um teste padronizado que se encontra na norma EN 60745, podendo ser utilizado para fazer comparações entre ferramentas. Pode ser utilizado para fazer uma avaliação preliminar da exposição.

O nível de emissão de ruído e vibração declarado representa as principais aplicações da ferramenta. No entanto, se a ferramenta for utilizada para aplicações diferentes ou com acessórios distintos, ou se a sua manutenção for deficiente, a emissão de ruídos e vibrações poderá diferir. Isso poderá aumentar significativamente o nível de exposição ao longo do período de trabalho total.

A estimativa do nível de exposição à vibração e ruído também deve ter em conta os tempos em que a ferramenta, quer desligada quer em funcionamento, não está realmente a trabalhar. Isso poderá reduzir significativamente o nível de exposição ao longo do período de trabalho total.

Identifique medidas de segurança adicionais para proteger o operador contra os efeitos da vibração e/ou ruído, tais como: fazer a manutenção da ferramenta e dos acessórios, manter as mãos quentes, organizar padrões de trabalho.

**ATENÇÃO!** Leia todas as instruções de segurança e todas as instruções. O desrespeito das advertências e instruções apresentadas abaixo pode causar choque eléctrico, incêndio e/ou graves lesões.  
**Guarde bem todas as advertências e instruções para futura referência.**

### INSTRUÇÕES DE SEGURANÇA PARA AFIADORAS ANGULARES

Indicações de aviso gerais para lixar, lixar com lixa de papel, trabalhar com escovas de arame, polir e separar por rectificação:

**a) Esta ferramenta eléctrica pode ser utilizada como lixadeira, lixadeira com lixa de papel e máquina para separar por rectificação. Observar todas as indicações de aviso, instruções, apresentações e dados fornecidos com a ferramenta eléctrica.** O desrespeito das seguintes instruções pode levar a um choque eléctrico, incêndio e/ou graves lesões.

**b) Esta ferramenta eléctrica não é adequada para polir.** Utilizações, para as quais a máquina não tenha sido prevista, podem causar perigos e ferimentos.

**c) Não utilizar acessórios, que não foram especialmente previstos e recomendados pelo fabricante para serem utilizados com esta ferramenta eléctrica.** O facto de poder fixar o acessório a esta ferramenta eléctrica, não garante uma aplicação segura.

d) As rotações admissíveis da ferramenta de trabalho devem ser pelo menos tão elevadas como as rotações máximas indicadas na ferramenta eléctrica. Os acessórios que rodam mais rapidamente do que o permitido podem partir-se e ser projectados.

e) O diâmetro exterior e a espessura da ferramenta de trabalho devem corresponder às indicações de medida da sua ferramenta eléctrica. Ferramentas de trabalho incorrectamente medidas podem não ser suficientemente blindadas nem controladas.

f) As rosas das peças de acessório devem corresponder com a rosca do fuso de esmerilhamento. Nas peças de acessório fixadas mediante flange, o furo para o mandrel na peça de acessório deve corresponder com o diâmetro do flange de localização. Peças de acessório que não caibam no mandril de montagem do aparelho, operam de forma desequilibrada, vibram excessivamente e podem levar à perda do controlo sobre a ferramenta.

g) Não utilizar ferramentas de trabalho danificadas. Antes de cada utilização deverá controlar as ferramentas de trabalho, e verificar se por exemplo os discos abrasivos apresentam fissuras e estilhaços, se pratos abrasivos apresentam fissuras, se há desgaste ou forte atrição, se as escovas de arame apresentam arames soltos ou quebrados. Se a ferramenta eléctrica ou a ferramenta de trabalho caírem, deverá verificar se sofreram danos, ou trocar por uma ferramenta de trabalho intacta. Após ter controlado e introduzido a ferramenta de trabalho, deverá manter-se, e as pessoas que se encontrem nas proximidades, fora do nível de rotação da ferramenta de trabalho e permitir que a ferramenta eléctrica funcione durante um minuto com o máximo número de rotação. A maioria das ferramentas de trabalho danificadas quebram durante este período de teste.

h) Utilizar um equipamento de protecção pessoal. De acordo com a aplicação, deverá utilizar uma protecção para todo o rosto, protecção para os olhos ou um óculos protector. Se for necessário, deverá utilizar uma máscara contra pó, protecção auricular, luvas de protecção ou um avental especial, para proteger-se de pequenas partículas de amoladura e de material. Os olhos devem ser protegidos contra partículas a voar, produzidas durante as diversas aplicações. A máscara contra pó ou a máscara de respiração deve ser capaz de filtrar o pó produzido durante a respectiva aplicação. Se for sujeito durante longo tempo a fortes ruídos, poderá sofrer a perda da capacidade auditiva.

i) Observe que as outras pessoas mantenham uma distância segura em relação ao seu local de trabalho. Cada pessoa que entrar na área de trabalho, deverá usar um equipamento de protecção pessoal. Estilhaços da peça a ser trabalhada ou ferramentas de trabalho quebradas podem voar e causar lesões fora da área imediata de trabalho.

j) Segure o aparelho nas superfícies de punho isoladas se estiver a executar trabalhos, nos quais a ferramenta de corte pode tocar em linhas eléctricas escondidas. O contacto da ferramenta de corte com uma linha sob tensão também pode colocar peças metálicas do aparelho sob tensão e levar a um choque eléctrico.

k) Nunca pouse a ferramenta eléctrica antes de a ferramenta de trabalho parar completamente. A ferramenta de trabalho em rotação pode entrar em contacto com a superfície de apoio, provocando uma perda de controlo da ferramenta eléctrica.

l) Não permitir que a ferramenta eléctrica funcione enquanto estiver a transportá-la. A sua roupa pode ser agarrada devido a um contacto accidental com a ferramenta de trabalho em rotação, de modo que a ferramenta de trabalho possa ferir o seu corpo.

m) Limpar regularmente as aberturas de ventilação da sua ferramenta eléctrica. A ventoinha do motor puxa pó para dentro da carcaça, e uma grande quantidade de pó de metal pode causar perigos eléctricos.

n) Não utilizar a ferramenta eléctrica perto de materiais inflamáveis. Faíscas podem incendiar estes materiais.

o) Não utilizar ferramentas de trabalho que necessitem agentes de refrigeração líquidos. A utilização de água ou de outros agentes de refrigeração líquidos pode provocar um choque eléctrico.

## Contra-golpe e respectivas advertências

ContraGolpe é uma repentina reacção devido a uma ferramenta de trabalho travada ou bloqueada, como por exemplo um disco abrasivo, um prato abrasivo, uma escova de arame etc. Um travamento ou um bloqueio levam a uma parada abrupta da ferramenta de trabalho em rotação. Desta maneira, uma ferramenta eléctrica descontrolada pode ser acelerada no local de bloqueio, sendo forçada no sentido contrário da rotação da ferramenta de trabalho.

Se por exemplo um disco abrasivo travar ou bloquear numa peça a ser trabalhada, o canto do disco abrasivo pode mergulhar na peça a ser trabalhada e encruvar-se, quebrando o disco abrasivo ou causando um contra-golpe. O disco abrasivo se movimentar então no sentido do operador ou para longe deste, dependendo do sentido de rotação do disco no local do bloqueio. Sob estas condições os discos abrasivos também podem partir-se.

Um contra-golpe é a consequência de uma utilização incorrecta ou indevida da ferramenta eléctrica. Ele pode ser evitado por apropriadas medidas de precaução como descrito a seguir.

a) Segurar firmemente a ferramenta eléctrica e posicionar o seu corpo e os braços de modo que possa resistir às forças de um contra-golpe. Sempre utilizar o punho adicional, se existente, para assegurar o máximo controlo possível sobre as forças de um contra-golpe ou sobre momentos de reacção durante o arranque. O operador pode controlar as forças de contra-golpe e as forças de reacção através de medidas de precaução apropriadas.

b) Jamais permita que as suas mãos se encontrem perto de ferramentas de trabalho em rotação. O acessório pode recuar e atingir a sua mão.

c) Evite que o seu corpo se encontre na área, na qual a ferramenta eléctrica possa ser movimentada no caso de um contra-golpe. O contra-golpe força a ferramenta eléctrica no sentido contrário ao movimento do disco abrasivo no local do bloqueio.

d) Trabalhar com especial cuidado na área ao redor de esquinas, cantos afiados etc. Evite que ferramentas de trabalho sejam ricocheteadas e travadas pela peça a ser trabalhada. A ferramenta de trabalho em rotação tende a travar em esquinas, em cantos afiados ou se for ricocheteada. Isto causa uma perda de controlo ou um contra-golpe.

e) Não utilize lâminas de corrente ou lâminas de serra dentadas. Estas ferramentas de trabalho provocam frequentemente uma repercussão ou a perda do controlo sobre a ferramenta eléctrica.

## Instruções especiais de segurança específicas para lixar e separar por rectificação

a) Utilizar exclusivamente os corpos abrasivos homologados para a sua ferramenta eléctrica e a capa de protecção prevista para estes corpos abrasivos. Corpos abrasivos não previstos para a ferramenta eléctrica, não podem ser suficientemente protegidos e portanto não são seguros.

b) Discos abrasivos dobrados devem ser montados, de forma que a sua superfície abrasiva não sobressaia além do nível da margem da tampa de protecção. Não é possível blindar suficientemente um disco abrasivo montado incorrectamente, que sobressaia além do nível da margem da tampa de protecção.

c) Sempre utilizar a capa de protecção, prevista para o tipo de corpo abrasivo utilizado. A capa de protecção deve ser firmemente aplicada na ferramenta eléctrica e fixa, de modo que seja alcançado um máximo de segurança, ou seja, que apenas uma mínima parte do corpo abrasivo aponte abertamente na direcção do operador. A protecção ajuda a proteger o operador contra estilhaços do disco de corte, contacto accidental com o disco de corte e faíscas que poderiam incendiar o vestuário.

d) Os corpos abrasivos só devem ser utilizados para as aplicações recomendadas. P. ex.: Jamais lixar com a superfície lateral de um disco de corte. Disco de corte são destinados para o desbaste de material com o canto do disco. Uma força lateral sobre estes corpos abrasivos pode quebrá-los.

e) Sempre utilizar flanges de aperto intactos de tamanho e forma correctos para o disco abrasivo seleccionado. Flanges apropriados apoiam o disco abrasivo e reduzem assim o perigo de uma ruptura do disco abrasivo. Flanges para discos de corte podem diferenciarse de flanges para outros discos abrasivos.

f) Não utilizar discos abrasivos gastos de outras ferramentas eléctricas maiores. Discos abrasivos para ferramentas eléctricas maiores não são apropriados para os números de rotação mais altos de ferramentas eléctricas menores e podem quebrar.

## Outras advertências especiais de segurança para separar por rectificação

a) Evitar um bloqueio do disco de corte ou uma força de pressão demasiado alta. Não efectuar cortes extremamente profundos. Uma sobrecarga do disco de corte aumenta o desgaste e a predisposição para emperrar e bloquear e portanto a possibilidade de um contra-golpe ou uma ruptura do corpo abrasivo.

b) Evitar a área que se encontra na frente ou atrás do disco de corte em rotação. Se o disco de corte for conduzido na peça a ser trabalhada, para frente, afastandose do corpo, é possível que no caso de um contra-golpe a ferramenta eléctrica, junto com o disco em rotação, seja atirada directamente na direcção da pessoa a operar o aparelho.

c) Se o disco de corte emperrar ou se o trabalho for interrompido, deverá desligar a ferramenta eléctrica e mantê-la parada, até o disco parar completamente. Jamais tentar puxar o disco de corte para fora do corte enquanto ainda estiver em rotação, caso contrário poderá ser provocado um contra-golpe. Verificar e eliminar a causa do emperramento.

d) Não ligar novamente a ferramenta eléctrica, enquanto ainda estiver na peça a ser trabalhada. Permita que o disco de corte alcance o seu completo número de rotação, antes de continuar cuidadosamente a cortar. Caso contrário é possível que o disco emperre, pule para fora da peça a ser trabalhada ou cause um contra-golpe.

e) Apoiar placas ou peças grandes, para reduzir um risco de contra-golpe devido a um disco de corte emperrado. Peças grandes podem curvarse devido ao próprio peso. A peça a ser trabalhada deve ser apoiada de ambos os lados, tanto nas proximidades do corte como também nos cantos.

f) Tenha muito cuidado ao fazer “cortes de bolsa” em paredes existentes ou outras áreas não visíveis. O disco de corte pode causar um contra-golpe se cortar accidentalmente tubulações de gás ou de água, cabos eléctricos ou outros objectos.

## Advertências especiais de segurança específicas para lixar com lixa de papel:

a) Não utilizar lixas de papel demasiado grandes, mas sempre seguir as indicações do fabricante sobre o tamanho correcto das lixas de papel. Lixas de papel, que sobressaem dos cantos do prato abrasivo, podem causar lesões, assim como bloquear e rasgar as lixas de papel ou levar a um contra-golpe.

## Advertências especiais de segurança específicas para trabalhar com escovas de arame:

a) Observe que a escova de arame também perde cerdas durante a utilização normal. Não aplique uma força de pressão muito forte nos arames. Cerdas ejectadas podem penetrar facilmente em roupa leve e/ou na pele.

b) Se for recomendável uma capa de protecção, deverá evitar que a escova de arame entre em contacto com a capa de protecção. O diâmetro das escovas em forma de prato ou de tacho pode aumentar devido à força de pressão e às forças centrífugas.

## INSTRUÇÕES DE SEGURANÇA E TRABALHO SUPLEMENTARES

Antes de ligar a ferramenta, verifique sempre se o botão de bloqueio do eixo está completamente solto! Depois de utilizar o bloqueio do eixo para apertar / afrouxar o disco abrasivo, é possível que o botão fique preso na posição de bloqueio.

Ao lixar metais, voam faíscas. Observe que ninguém seja posto em perigo. Devido ao perigo de incêndio não devem encontrar-se materiais inflamáveis nas proximidades (área de voo de faíscas).

Não utilize sistema de extracção de poeiras.

Evitar o contacto de faíscas e pó de lixar com o corpo.

Não introduza as mãos na área perigosa, estando a máquina em funcionamento.

Não remover aparas ou lascas enquanto a máquina trabalha.

Desligar imediatamente o aparelho, se ocorrerem grandes oscilações ou se forem observadas outras avarias. Controlar a máquina para determinar a causa.

Em condições extremas (por exemplo, metais que obriguem a esmeril suave, utilizando o disco com protecção e fibra vulcanizada), é possível que se acumule uma quantidade significativa de material contaminante no interior da rebarbadora.

Não deixe que peças metálicas toquem nas fendas de circulação de ar - perigo de curto-circuitos.

ATENÇÃO! Perigo de queimar-se! Durante a utilização, o disco e a peça trabalhada vão ficar quentes. Ao trocar os discos ou tocar na peça de trabalho, use luvas. Mantenha sempre as mãos afastadas da área que estiver a ser trabalhada com a rebarbadora.

ATENÇÃO! Para evitar o risco de incêndio, de feridas ou de danificação do produto causado por um curto-circuito, não imerja a bateria intercambiável ou o carregador em líquidos e assegure-se de que líquidos não penetrem nos aparelhos ou nas baterias. Líquidos corrosivos ou condutivos como água salgada, determinadas substâncias químicas ou produtos que contenham branqueadores podem causar um curto-circuito.

Carregadores só devem ser utilizados em recintos secos.

Use apenas carregadores do Sistema M18 para recarregar os acumuladores do Sistema M18. Não utilize acumuladores de outros sistemas.

## UTILIZAÇÃO AUTORIZADA

A rebarbadora foi concebida para esmerilar e cortar materiais metálicos, em pedra, cimento e cerâmicos, bem como para operações de decapagem e escovagem com escova de metal.

Para aplicações de corte, utilize o resguardo de corte constante da gama de acessórios.

Em caso de dúvida, observe as indicações do fabricante dos acessórios.

A ferramenta só é apropriada para o processamento a seco.

Só devem ser encaixados na rebarbadora discos de esmeril/ corte e respetivas proteções (protecção de esmeril ou protecção de corte) que sejam adequados, conforme descritos na secção de especificações do produto deste manual. A rebarbadora foi concebida para utilização portátil, não se destinando a ser montada num acessório ou bancada.

Não utilize o produto de qualquer outra forma além das indicadas para a utilização prevista.

## RISCOS RESIDUAIS

Mesmo em caso de utilização correcta não é possível excluir todos os riscos residuais. Na utilização da máquina podem ser causados os seguintes perigos que o utilizador deve observar:

- Feridas causadas pela vibração. Segure o aparelho nos punhos previstos e limite o tempo de trabalho e exposição.
- Os ruídos podem levar à perda de audição. Use um protetor auricular e limite o período de exposição.
- Feridas dos olhos causadas por partículas de sujeira. Sempre use óculos de protecção, calças compridas sólidas e calçados sólidos.
- Inalação de pós tóxicos.

## NOTAS PARA BATERIAS DE ÍONS DE LÍTIU

### Utilização de íons de lítio

Acumuladores não utilizados durante algum tempo devem ser recarregados antes da sua utilização.

Temperaturas acima de 50°C reduzem a capacidade do bloco acumulador. Evitar exposição prolongada ao sol ou a caloríferos.

Manter limpos os contactos eléctricos no carregador e no bloco acumulador.

Para uma vida útil óptima das baterias, terá que carregá-las plenamente após a sua utilização.

Para assegurar uma vida útil longa, o pacote de bateria deve ser removido da carregadora depois do carregamento.

Se o pacote de bateria for armazenado por mais de 30 dias:

Armazene o pacote de bateria com aprox. 27°C em um lugar seco.

Armazene o pacote de bateria com aprox. 30%-50% da carga completa.

Carregue o pacote de bateria novamente de 6 em 6 meses.

#### Proteção contra sobrecarga para baterias de iões de lítio

No caso de sobrecarga da bateria devido a um consumo de corrente demasiado elevado, por exemplo um binário de rotação extremamente elevado, uma paragem repentina ou um curto-circuito, a ferramenta eléctrica vibra durante 5 segundos, o indicador de carregamento de bateria começa a piscar e a ferramenta eléctrica desliga-se automaticamente.

Para a ligar novamente, desligar e voltar a ligar o interruptor Sob condições extremas, a bateria aquece demasiado. Nesse caso, todas as luzes do indicador de carregamento de bateria piscam até que esta arrefeça. Após as luzes do indicador de carregamento de bateria se apagarem, pode-se continuar a trabalhar.

#### Transporte de baterias de ião-lítio

Baterias de ião-lítio estão sujeitas às disposições da legislação relativa às substâncias perigosas.

O transporte destas baterias deve ser efetuado de acordo com as disposições e os regulamentos locais, nacionais e internacionais.

O utilizador pode efetuar o transporte rodoviário destas baterias sem restrições.

O transporte comercial de baterias de ião-lítio por terceiros está sujeito aos regulamentos relativos às substâncias perigosas. A preparação do transporte e o transporte devem ser executados exclusivamente por pessoas instruídas e o processo deve ser acompanhado pelos especialistas correspondentes.

Observe o seguinte no transporte de baterias:

Assegure-se de que os contatos terminais estejam protegidos e isolados para evitar um curto-circuito.

Assegure-se de que o bloco da bateria esteja protegido contra movimentos na embalagem. Não transporte baterias danificadas ou que tenham fuga. Para instruções mais detalhadas consulte a companhia de transportes

#### DICAS DE TRABALHO

##### Proteção contra sobrecarga e recuo

O aparelho dispõe de uma função de protecção contra sobrecarga e anti-retorno e parará quando houver a sobrecarga correspondente. Desligue a ferramenta eléctrica e volte a ligá-la, a fim de poder continuar a trabalhar.

##### Arranque suave

Arranque suave electrónico para manejo seguro; evita o arranque brusco da máquina ao ligá-la.

Para as ferramentas a serem montadas com a roda de orifício roscado, certifique-se de que a rosca na roda é suficientemente longa para receber o fuso em todo o seu comprimento.

Sempre utilizar e guardar os rebolos separadores e os discos abrasivos, de acordo com as indicações do fabricante.

Durante o trabalho com discos de desbastar e de corte sempre deve ser utilizada a placa de protecção.

Discos abrasivos dobrados devem ser montados, de forma que a sua superfície abrasiva não sobressaia além do nível da margem da tampa de protecção.

A porca de ajuste deve ser apertada antes de iniciar o trabalho com a máquina.

Utilizar sempre o punho lateral.

A peça a ser trabalhada deve ser fixada, caso não esteja firme devido ao seu peso próprio. Jamais conduzir a peça a ser trabalhada em direcção do disco com as mãos.

Antes de colocar a máquina em funcionamento, a porca flangeada deve ser apertada para que esteja fixa. Se a ferramenta não for bem apertada com a porca flangeada, é possível que a ferramenta perda a força de tensão necessária na travagem.

#### LIMPEZA

Manter desobstruídos os rasgos de ventilação na carcaça da máquina.

#### MANUTENÇÃO

Utilizar apenas acessórios Milwaukee e peças sobresselentes Milwaukee. Os componentes cuja substituição não esteja descrita devem ser substituídos num serviço de assistência técnica Milwaukee (consultar a brochura relativa à garantia/moradas dos serviços de assistência técnica).

A pedido e mediante indicação da referência que consta da chapa de características da máquina, pode requerer-se um desenho explosivo da ferramenta eléctrica a: Techtronic Industries GmbH, Max-Eyth-Straße 10, 71364 Winnenden, Germany.

#### SYMBOLE



Leia atentamente o manual de instruções antes de colocar a máquina em funcionamento.



ATENÇÃO! PERIGO!



Antes de efectuar qualquer intervenção o aparelho retirar o bloco acumulador.



Não utilize a protecção para operações de corte.



Não aplique força.



Aplique força.



Usar sempre óculos de protecção ao trabalhar com a máquina.



Sempre use a protecção dos ouvidos.



Use uma máscara de protecção contra pó apropriada.



Use luvas de protecção!



Trabalhe sempre com as duas mãos.



Só para trabalhos de lixar.



Só para trabalhos de separação.



Preste atenção à espessura admissível do disco.



Acessório - Não incluído no equipamento normal, disponível como acessório.



Aparelhos eléctricos não devem ser jogados no lixo doméstico. Aparelhos eléctricos e electrónicos devem ser colectados separadamente e entregues a uma empresa de reciclagem para a eliminação correcta. Solicite informações sobre empresas de reciclagem e postos de colecta de lixo das autoridades locais ou do seu vendedor autorizado.

$n_0$

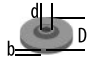



Número de rotações nominal

V

Tensão

	Corrente contínua
	Marca de Conformidade Europeia
	Marca de Conformidade Britânica
	Marca de Conformidade Ucraniana
	Marca de Conformidade Eurasiática



TECHNISCHE GEGEVENS	M18 FSAG115X	M18 FSAG125X
Type	Accu-haakse slijpmachine	Accu-haakse slijpmachine
Productienummer	4830 49 01 XXXXX MJJJ	4830 56 01 XXXXX MJJJ
Spanning wisselakku	18 V	18 V
Nominaal toerental	8500 min <sup>-1</sup>	8500 min <sup>-1</sup>
Asaansluiting	M14	M14
D=Slijpschijf-Ø max.	115 mm	125 mm
d=Asgat-Ø	22,2 mm	22,2
 b=Slijpschijfdikte max.	6 mm	6 mm
 b=Dikte doorslijpschijven max. / min.	3 mm / 1 mm	3 mm / 1 mm
 D=Diameter schuurschijf max.	115 mm	125 mm
 D=Komborstel-Ø max.	75 mm	75 mm
Gewicht volgens de EPTA-procedure 01/2014 (Li-Ion 2,0 Ah ... 12,0 Ah)	2,4 ... 3,4 kg	2,4 ... 3,5 kg
Aanbevolen omgevingstemperatuur voor het bedrijf	-18 ... +50 °C	
Aanbevolen accupacks	M18B...; M18HB...	
Aanbevolen laadtoestellen	M12-18...; M1418C6	
<b>Geluidsinformatie:</b> Meetwaarden vastgesteld volgens EN 60745. Het kenmerkende A-gewogen geluidsniveau van de machine bedraagt:		
Geluidsdruk niveau / Onzekerheid K	82,7 dB(A) / 3 dB(A)	82,7 dB(A) / 3 dB(A)
Geluidsvermogen niveau / Onzekerheid K	93,7 dB(A) / 3 dB(A)	93,7 dB(A) / 3 dB(A)
<b>Draag oorbeschermers!</b>		
<b>Trillingsinformatie:</b> Totale trillingswaarden (vectorsom van drie richtingen) bepaald volgens EN 60745.		
Trillingsemissiewaarde a <sub>v</sub> / Onzekerheid K		
Schuren van oppervlakken	4,8 m/s <sup>2</sup> / 1,5 m/s <sup>2</sup>	5,5 m/s <sup>2</sup> / 1,5 m/s <sup>2</sup>
Schuren met schuurblad	1,1 m/s <sup>2</sup> / 1,5 m/s <sup>2</sup>	1,9 m/s <sup>2</sup> / 1,5 m/s <sup>2</sup>
Bij andere toepassingen zoals bijv. doorslijpen of schuren met de staalborstel, kunnen andere trilwaarden ontstaan!		

## WAARSCHUWING!

De in dit informatieblad vermelde trillings- en geluidsniveaus zijn gemeten in overeenstemming met een standaard testmethode conform EN 60745 en kunnen worden gebruikt om gereedschap met elkaar te vergelijken. Deze kunnen ook worden gebruikt voor het vooraf evalueren van de blootstelling.

De vermelde trillings- en geluidsniveaus gelden voor de meest gebruikelijke toepassingen van het gereedschap. Wanneer het gereedschap echter voor andere doeleinden of met andere hulpstukken gebruikt wordt of niet naar behoren onderhouden wordt, kan de mate van blootstelling over de hele werkperiode aanzienlijk hoger uitvallen.

Voor een nauwkeurige inschatting van de blootstelling aan trillingen en geluid moet ook de tijd in aanmerking worden genomen die het apparaat uitgeschakeld is of weliswaar loopt, maar niet werkelijk in gebruik is. Dit kan de waarde van de mate aan blootstelling over de hele werkperiode aanzienlijk verminderen.

Bepaal extra veiligheidsmaatregelen ter bescherming van de gebruiker tegen de gevolgen van trillingen en/of geluid, bijvoorbeeld: onderhoud van het gereedschap en hulpstukken, warmhouden van de handen, organisatie van de werkprocessen.

**WAARSCHUWING!** Lees alle veiligheidsinstructies en aanwijzingen door. Als de waarschuwingen en voorschriften niet worden opgevolgd, kan dit een elektrische schok, brand of ernstig letsel tot gevolg hebben.

**Bewaar alle waarschuwingen en voorschriften voor toekomstig gebruik.**

## VEILIGHEIDSinSTRUCTIES VOOR HAAKSE SLIJPERS

**Algemene waarschuwingen voor slijpen, schuren, borstelen, polijsten en doorslijpen:**

**a) Dit elektrische gereedschap is bestemd voor gebruik als slijpmachine, schuurmachine, borstelmaschine en doorslijpmachine. Neem alle waarschuwingen, aanwijzingen, afbeeldingen en gegevens die u bij het elektrische gereedschap ontvangt in acht.** Als u de volgende aanwijzingen niet in acht neemt, kunnen een elektrische schok, brand en/of ernstig letsel het gevolg zijn.

**b) Dit elektrische gereedschap is niet geschikt voor het polijsten.** Ondoelmatig gebruik van dit elektrische gereedschap kan leiden tot gevaren en persoonlijk letsel.

**c) Gebruik uitsluitend toebehoren dat door de fabrikant speciaal voor dit elektrische gereedschap is voorzien en geadviseerd.** Het feit dat u het toebehoren aan het elektrische gereedschap kunt bevestigen, waarborgt nog geen veilig gebruik.

**d) Het toelaatbare toerental van het inzetgereedschap moet minstens even hoog zijn als het maximale toerental dat op het elektrische gereedschap is aangegeven.** Toebehoren dat sneller draait dan toegestaan, kan breken en in het rond vliegen.

**e) De buitendiameter en de dikte van het inzetgereedschap moeten overeenkomen met de maatgegevens van het elektrische gereedschap.** Inzetgereedschappen met onjuiste afmetingen kunnen niet voldoende afgeschermd of gecontroleerd worden.

**f) De schroefdraden van het toebehoren moeten overeenstemmen met de schroefdraden van de slijpspil. Bij toebehoren dat moet worden aangflensd, moet de boring op de opspandoorn in het toebehoren overeenstemmen met de diameter van de centreflens.** Toebehoren dat niet op de montagevoorziening van het apparaat past, loopt excentrisch, trilt buitengewoon sterk en kan leiden tot controleverlies over het gereedschap.

**g) Gebruik geen beschadigde inzetgereedschappen. Controleer voor het gebruik altijd inzetgereedschappen zoals slijpschijven op afsplinteringen en scheuren, steunschijven op scheuren of sterke slijtage en draadborstels op losse of gebroken draden.** Als het elektrische gereedschap of het inzetgereedschap valt, dient u te controleren of het beschadigd is, of gebruik een onbeschadigd inzetgereedschap. Als u het inzetgereedschap hebt gecontroleerd en ingezet, laat u het elektrische gereedschap een minuut lang met het maximale toerental lopen. Daarbij dient u en dienen andere personen uit de buurt van het ronddraaiende inzetgereedschap te blijven. Beschadigde inzetgereedschappen breken meestal gedurende deze testtijd.

**h) Draag persoonlijke beschermende uitrusting. Gebruik afhankelijk van de toepassing een volledige gezichtsbescherming, oogbescherming of veiligheidsbril. Draag voor zover van toepassing een stofmasker, een hoorbescherming, werkhandschoenen of een speciaal schoot dat kleine slijp- en materiaaldeeltjes tegenhoudt.** Uw ogen moeten worden beschermd tegen wegvliegende deeltjes die bij verschillende toepassingen ontstaan. Een stof- of adembeschermingsmasker moet het bij de toepassing ontstaande stof filteren. Als u lang wordt blootgesteld aan luid lawaai, kan uw gehoor worden beschadigd.

**i) Let erop dat andere personen zich op een veilige afstand bevinden van de plaats waar u werkt. Iedereen die de werkomgeving betreedt, moet persoonlijke beschermende uitrusting dragen.** Brokstukken van het werkstuk of gebroken inzetgereedschappen kunnen wegvliegen en verwondingen veroorzaken, ook buiten de directe werkomgeving.

**j) Houd het apparaat alléén aan de geïsoleerde grijpvlakken vast, wanneer u werkzaamheden uitvoert waarbij het snijgereedschap verborgen stroomleidingen zou kunnen raken.** Het contact van het snijgereedschap met een spanningvoerende leiding kan de metalen apparaatdelen onder spanning zetten en zo tot een elektrische schok leiden.

**k) Leg het elektrische gereedschap nooit neer, vóór het inzetstuk volledig tot stilstand is gekomen.** Het draaiende inzetgereedschap kan in contact komen met het oppervlak, waardoor u de controle over het elektrische gereedschap kunt verliezen.

**l) Laat het elektrische gereedschap niet lopen terwijl u het draagt.** Uw kleding kan door toevallig contact met het draaiende inzetgereedschap worden meegenomen en het inzetgereedschap kan zich in uw lichaam boren.

**m) Reinig regelmatig de ventilatieopeningen van het elektrische gereedschap.** De motorventilator trekt stof in het huis en een sterke ophoping van metaalstof kan elektrische gevaren veroorzaken.

**n) Gebruik het elektrische gereedschap niet in de buurt van brandbare materialen.** Vonken kunnen deze materialen ontsteken.

**o) Gebruik geen inzetgereedschappen waarvoor vloeibare koelmiddelen vereist zijn.** Het gebruik van water of andere vloeibare koelmiddelen kan tot een elektrische schok leiden.

## Terugslag en bijbehorende waarschuwingen

Terugslag is de plotselinge reactie als gevolg van een vasthakend of geblokkeerd draaiend inzetgereedschap, zoals een slijpschijf, steunschijf, draadborstel, enz. Vasthaken of blokkeren leidt tot abrupte stilstand van het ronddraaiende inzetgereedschap. Daardoor wordt een ongecontroleerd elektrisch gereedschap tegen de draairichting van het inzetgereedschap versneld op de plaats van de blokkering.

Als bijvoorbeeld een slijpschijf in het werkstuk vasthaakt of blokkeert, kan de rand van de slijpschijf die in het werkstuk invalt, zich vastgrijpen. Daardoor kan de slijpschijf uitbreken of een terugslag veroorzaken. De slijpschijf beweegt zich vervolgens naar de bediener toe of van de bediener weg, afhankelijk van de draairichting van de schijf op de plaats van de blokkering. Hierbij kunnen slijpschijven ook breken.

Een terugslag is het gevolg van het verkeerd gebruik of onjuiste gebruiksomstandigheden van het elektrische gereedschap. Terugslag kan worden voorkomen door geschikte voorzorgsmaatregelen, zoals hieronder beschreven.

**a) Houd het elektrische gereedschap goed vast en breng uw lichaam en uw armen in een positie waarin u de terugslagkrachten kunt opvangen.** Gebruik altijd de extra handgreep, indien aanwezig, om de grootst mogelijke controle te hebben over terugslagkrachten of reactiemomenten bij het op toeren komen. De bediener kan door geschikte voorzorgsmaatregelen de terugslag- en reactiekrachten beheersen.

**b) Breng uw hand nooit in de buurt van draaiende inzetgereedschappen.** Accessoires kunnen over uw hand terugslaan.

**c) Mijd met uw lichaam het gebied waarheen het elektrische gereedschap bij een terugslag wordt bewogen.** De terugslag drijft het elektrische gereedschap in de richting die tegengesteld is aan de beweging van de slijpschijf op de plaats van de blokkering.

**d) Werk bijzonder voorzichtig in de buurt van hoeken, scherpe randen, enz. Voorkom dat inzetgereedschappen van het werkstuk terugspringen en vastklemmen.** Het ronddraaiende inzetgereedschap neigt er bij hoeken, scherpe randen of wanneer het terugspringt toe om zich vast te klemmen. Dit veroorzaakt een controleverlies of terugslag.

**e) Gebruik geen ketting- of getand zaagblad.** Dergelijke inzetstukken veroorzaken vaak een terugslag of verlies van controle over het elektrische gereedschap.

## Bijzondere waarschuwingen voor slijp- en doorslijpwerkzaamheden

**a) Gebruik uitsluitend het voor de elektrische gereedschap toegestane slijptoebehoren en de voor dit slijptoebehoren voorziene beschermkap.** Slijptoebehoren dat niet voor het elektrische gereedschap is voorzien, kan niet voldoende worden afgeschermd en is niet veilig.

**b) Gebogen slijpschijven moeten zodanig worden gemonteerd dat het schuuroppervlak niet boven de rand van de veiligheidskap uitsteekt.** Een ondeskundig gemonteerde slijpschijf die boven de rand van de veiligheidskap uitsteekt kan niet afdoende worden afgeschermd.

**c) Gebruik altijd de beschermkap die voor het gebruikte soort slijpgereedschap is voorzien. De beschermkap moet stevig op het elektrische gereedschap zijn aangebracht en zodanig zijn ingesteld dat een maximum aan veiligheid wordt bereikt. Dat wil zeggen dat het kleinste mogelijke deel van het slijpgereedschap open naar de bediener wijst.** De bescherming helpt om de gebruiker te beschermen tegen delen van een gebroken schijf, onbedoeld contact met de schijf en vonken die kleding in brand kunnen zetten.

**d) Slijptoebehoren mag alleen worden gebruikt voor de geadviseerde toepassingsmogelijkheden.** Bijvoorbeeld: slijp nooit met het zijvlak van een doorslijpschijf. Doorslijpschijven zijn bestemd voor materiaalafname met de rand van de schijf. Een zijwaartse krachtinwerking op dit slijptoebehoren kan het toebehoren breken.

**e) Gebruik altijd onbeschadigde spanflenzen in de juiste maat en vorm voor de door u gekozen slijpschijf.** Geschikte flenzen steunen de slijpschijf en verminderen zo het gevaar van een slijpschijfbreuk. Flenzen voor doorslijpschijven kunnen verschillen van de flenzen voor andere slijpschijven.

**f) Gebruik geen versleten slijpschijven van grotere elektrische gereedschappen.** Slijpschijven voor grotere elektrische gereedschappen zijn niet geconstrueerd voor de hogere toerentalen van kleinere elektrische gereedschappen en kunnen breken.

#### Overige bijzondere waarschuwingen voor doorslijpwerkzaamheden

**a) Voorkom blokkeren van de doorslijpschijf en te hoge aandrukkracht. Slijp niet overmatig diep.** Een overbelasting van de doorslijpschijf vergroot de slijtage en de gevoeligheid voor kantelen of blokkeren en daardoor de mogelijkheid van een terugslag of breuk van het slijptoebehooren.

**b) Mijd de omgeving voor en achter de ronddraaiende doorslijpschijf.** Als u de doorslijpschijf in het werkstuk van u weg beweegt, kan in het geval van een terugslag het elektrische gereedschap met de draaiende schijf rechtstreeks naar u toe worden geslingerd.

**c) Als de doorslijpschijf vastklemt of als u de werkzaamheden onderbreekt, schakelt u het elektrische gereedschap uit en houdt u het rustig tot de schijf tot stilstand is gekomen. Probeer nooit om de nog draaiende doorslijpschijf uit de groef te trekken. Anders kan een terugslag het gevolg zijn.** Stel de oorzaak van het vastklemmen vast en maak deze ongedaan.

**d) Schakel het elektrische gereedschap niet opnieuw in zolang het zich in het werkstuk bevindt. Laat de doorslijpschijf eerst het volledige toerental bereiken voordat u het doorslijpen voorzichtig voortzet.** Anders kan de schijf vasthakken, uit het werkstuk springen of een terugslag veroorzaken.

**e) Ondersteun platen of grote werkstukken om het risico van een terugslag door een ingeklemde doorslijpschijf te verminderen.** Grote werkstukken kunnen onder hun eigen gewicht doorbuigen. Het werkstuk moet aan beide zijden worden ondersteund, vlakbij de slijpreef en aan de rand.

**f) Wees bijzonder voorzichtig bij het insteekzagen in bestaande wanden of andere niet-zichtbare bereiken.** De invallende doorslijpschijf kan bij het doorslijpen van gas- of waterleidingen, elektrische leidingen of andere objecten een terugslag veroorzaken.

#### Bijzondere waarschuwingen voor schuurwerkzaamheden:

**a) Gebruik geen schuurbladen met te grote afmetingen, maar houd u aan de voorschriften van de fabrikant voor de maten van schuurbladen.** Schuurbladen die over de rand van de steunschijf uitsteken, kunnen verwondingen veroorzaken en kunnen tot blokkeren, scheuren van de schuurbladen of terugslag leiden.

#### Bijzondere waarschuwingen voor werkzaamheden met draadborstels:

**a) Let op dat de draadborstel ook tijdens het normale gebruik draadstukken verliest. Overbelast de draden niet door een te hoge aanpersdruk.** Wegvliegende draadstukken kunnen probleemloos door dunne kleding en/of de huid dringen.

**b) Als het gebruik van een beschermkap wordt geadviseerd, dient u te voorkomen dat beschermkap en draadborstel elkaar kunnen raken.** Vlakstaal- en komstaalborstels kunnen door aandrukkracht en centrifugaalkrachten hun diameter vergroten.

#### VERDERE VEILIGHEIDS- EN WERKINSTRUCTIES

Kijk voor het inschakelen van het apparaat altijd eerst de spindelvergrendelingsknop volledig vrij staat! Na het gebruik van de spindelvergrendeling voor het vast-/losdraaien van de slijpschijf is het mogelijk dat de knop in de vergrendelingsstand blijft steken.

Bij het schuren van metalen ontstaan vonken. Er op letten dat er geen personen in gevaar worden gebracht. In verband met het brandgevaar mogen zich geen brandbare materialen in de buurt (gebied waar de vonken vallebevinden. Geen stofafzuiging gebruiken

Voorkom dat vonkenregen en slijpstof het lichaam raken.

Niet aan de draaiende delen komen.

Spanen of splinters mogen bij draaiende machine niet worden verwijderd.

Machine onmiddellijk controleren als sterke trillingen optreden of andere gebreken worden vastgesteld. Controleer de machine om de oorzaak vast te stellen.

Onder extreme omstandigheden (bijv. gladlijpen van metaal met steunschijf en slijpstift van vulkaniseerde vezel) kan aan zich de binnenkant van de slijpmachine vuil ophopen.

Vanwege kortsluitingsgevaar mogen metaaldeeltjes niet in de luchtschachten terechtkomen.

**WAARSCHUWING!** Gevaar voor verbrandingen! De schijf en het werkstuk worden tijdens het gebruik heet. Draag handschoenen bij het vervangen van schijven of het aanraken van het werkstuk. Houd uw handen te allen tijde uit de buurt van de te slijpen gebied.

**WAARSCHUWING!** Voorkom brand, persoonlijk letsel of materiële schade door kortsluiting en dampel het gereedschap, de wisselaccu en het laadtoestel niet onder in vloeistoffen en waarborg dat geen vloeistoffen in de apparaten en accu's kunnen dringen. Corrosieve of geleidende vloeistoffen zoals zout water, bepaalde chemicaliën, bleekmiddelen of producten die bleekmiddelen bevatten, kunnen een kortsluiting veroorzaken.

Wisselakku's en laadapparaten niet openen en alleen in droge ruimtes opslaan. Tegen vocht beschermen.

Wisselakku's van het Akku-Systeem M18 alléén met laadapparaten van het Akku-Systeem M18 laden. Geen akku's van andere systemen laden.

#### VOORGESCHREVEN GEBRUIK VAN HET SYSTEEM

De haakse slijpmachine is bedoeld voor het slijpen en snijden van metaal-, steen-, beton- en keramische materialen en voor het schuren en borstelen van kabels.

Gebruik bij het zagen de beschermkap uit het accessoire-assortiment.

Neem in twijfelgevallen deaanwijzingen van de toebehorenfabrikant in acht.

Het elektrische gereedschap is alleen geschikt voor de droge bewerking.

Op de haakse slijpmachine mogen uitsluitend geschikte slijp- of snijschijven en bijbehorende afscherminingen (slijp- of snijbescherming), worden gemonteerd, zoals beschreven in het hoofdstuk productspecificaties van deze handleiding. De haakse slijpmachine is ontworpen voor gebruik met de hand; hij mag niet op een armatuur of werkbank worden gemonteerd.

Gebruik het product op geen andere wijze dan is aangegeven voor het beoogde gebruik.

#### RESTERENDE GEVAREN

Ook als de machine volgens de voorschriften gebruikt wordt, kunnen niet alle risico's worden uitgesloten. Let bij het gebruik op de volgende gevaren:

- Door vibraties veroorzaakt letsel. Houd de machine vast aan de daarvoor bedoelde grepen en beperk de tijd die u met de machine werkt en waarin u aan de vibraties wordt blootgesteld.
- Lawaai kan leiden tot gehoorschade. Draag een gehoorbescherming en beperk de tijd waarin u aan het lawaai wordt blootgesteld.
- Door vuildeeltjes veroorzaakt oogletsel. Draag altijd een veiligheidsbril, nauwsluitende, lange broeken, handschoenen en vast schoeisel.
- Inademen van toxische stoffen.

#### OPMERKINGEN OVER LI-ION-ACCU'S

##### Gebruik van li-ion-accu's

Langere tijd niet toegepaste wisselakku's vóór gebruik altijd naladen.

Een temperatuur boven de 50°C vermindert de capaciteit van de accu. Langdurige verwarming door zon of hitte vermijden.

De aansluitcontacten aan het laadapparaat en de akku schoonhouden.

Voor een optimale levensduur moeten de accu's na het gebruik volledig opgeladen worden.

Voor een zo lang mogelijke levensduur van de accu's dienen deze na het opladen uit het laadtoestel te worden verwijderd.

Bij een langere opslag van de accu dan 30 dagen:

accu bij ca. 27 °C droog bewaren.

accu bij ca. 30 % - 50 % van de laadtoestand bewaren.

accu om de 6 maanden opnieuw opladen.

#### Overbelastingsbeveiliging voor li-ion-accu's

Bij overbelasting van de accu door zeer hoog stroomverbruik, bijv. extreem hoge draaimomenten, plotseling stoppen of kortsluiting, vibreert het elektrische gereedschap gedurende 5 seconden, de laadweergave knippert en het elektrische gereedschap schakelt automatisch uit.

Om het gereedschap weer in te schakelen, moet u de drukschakelaar loslaten en vervolgens weer inschakelen. Onder extreme belastingen wordt de accu te heet. In dit geval knipperen alle lampen van de laadweergave totdat de accu afgekoeld is. Na het doven van de laadweergave kunt u weer verder werken.

#### Transport van lithium-ionen-accu's

Lithium-ionen-accu's vallen onder de wettelijke bepalingen inzake het transport van gevaarlijke goederen.

Voor het transport van deze accu's moeten de lokale, nationale en internationale voorschriften en bepalingen in acht worden genomen.

Verbruikers mogen deze accu's zonder meer over de weg transporteren.

Het commerciële transport van lithium-ionen-accu's door expeditiebedrijven is onderhevig aan de bepalingen inzake het transport van gevaarlijke goederen. De verzendingsvoorbereidingen en het transport mogen uitsluitend worden uitgevoerd door dienovereenkomstig opgeleide personen. Het complete proces moet vakkundig worden begeleid.

Onderstaande punten moeten bij het transport van accu's in acht worden genomen:

Waarborg ter vermijding van kortsluitingen dat de contacten beschermd en geïsoleerd zijn.

Let op dat het accupack in de verpakking niet kan verschuiven. Beschadigde of lekkende accu's mogen niet worden getransporteerd. Neem voor meer informatie contact op met uw expeditiebedrijf.

#### ARBEIDSINSTRUCTIES

##### Bescherming tegen overbelasting en terugslag

Het apparaat beschikt over een overload- en terugslagbeveiliging en stopt in geval van een dienovereenkomstige overbelasting. Schakel het elektrisch gereedschap uit en opnieuw in om verder te gaan met uw werkzaamheden.

##### Zachte aanloop

De elektronische zachte aanloop zorgt voor een veilig vasthouden van de machine wanneer deze wordt ingeschakeld.

Bij gebruik van gereedschappen die bedoeld zijn voor wielen met schroefgaten, dient men te controleren dat de schroefdraad in het wiel lang

Doorslijp- en slijpschijven altijd volgens de voorschriften van de fabrikant gebruiken en bewaren.

Bij schuren en doorslijpen altijd met de beschermkap werken.

Gebogen slijpschijven moeten zodanig worden gemonteerd dat het schuuroppervlak niet boven de rand van de veiligheidskap uitsteekt.

De flensmoer moet vóór de ingebruikname van de machine aangetrokken zijn.

Altijd de zijhandgreep gebruiken.

Het te bewerken werkstuk moet vast worden ingespannen als het niet door het eigen gewicht stabiel ligt. Nooit het werkstuk met de

hand tegen de schijf houden.

De flensmoer moet vóór inbedrijfstelling van de machine vast aangedraaid zijn. Als het inzetgereedschap met de flensmoer niet vast wordt aangedraaid, kan het zijn dat het insteekgereedschap bij het afremmen de vereiste spankracht verliest.

#### ONDERHOUD

Altijd de luchtspleten van de machine schoonhouden.

#### ONDERHOUD

Gebruik uitsluitend Milwaukee toebehoren en onderdelen. Indien componenten die moeten worden vervangen niet zijn beschreven, neem dan contact op met een officieel Milwaukee servicecentrum (zie onze lijst met servicecentra).

Onder vermelding van het nummer op het machineplaatje is desgewenst een doorsnedetekening van de machine verkrijgbaar bij: Technronic Industries GmbH, Max-Eyth-Straße 10, 71364 Winnenden, Germany

#### SYMBOLEN

	Graag instructies zorgvuldig doorlezen vóórdat u de machine in gebruik neemt.
	OPGELET! WAARSCHUWING! GEVAAR!
	Voor alle werkzaamheden aan de apparat de akku verwijderen.
	De beschermkap niet gebruiken bij doorslijpen.
	Geen kracht uitoefenen.
	Kracht uitoefenen.
	Bij het werken met de machine altijd een veiligheidsbril dragen.
	Draag oorbeschermers.
	Draag derhalve een geschikt stofbeschermingsmasker.
	Draag veiligheidshandschoenen!
	Altijd met twee handen gebruiken.
	Alleen voor het schuren.
	Alleen voor het doorslijpen.

	Let op de toegestane schijfdikte.
	Toebehoren - Wordt niet meegeleverd. Is apart leverbaar. Zie hiervoor het toebehorenprogramma.
	Elektrische apparaten mogen niet via het huisafval worden afgevoerd. Elektrische en elektronische apparaten moeten gescheiden worden verzameld en voor een milieuvriendelijke afvoer worden afgegeven bij een recyclingbedrijf. Informeer bij uw gemeente of bij uw vakhandelaar naar recyclingbedrijven en inzamelpunten.
$n_0$	Nominaal toerental
$V$	Spanning
	Gelijkstroom
	Europees symbool van overeenstemming
	Brits symbool van overeenstemming
	Oekraïens symbool van overeenstemming
	Euro-Aziatisch symbool van overeenstemming

TEKNISCHE DATA	M18 FSAG115X	M18 FSAG125X
Type	Akku vinkelsliber	Akku vinkelsliber
Produktionsnummer	4830 49 01 XXXXXX MJJJ	4830 56 01 XXXXXX MJJJ
Udskiftningsbatteriets spænding	18 V	18 V
Nominelt omdrejningstal	8500 min <sup>-1</sup>	8500 min <sup>-1</sup>
Spindelgevind	M14	M14
D=Slibeskive-Ø maks.	115 mm	125 mm
d=borings-Ø	22,2 mm	22,2
 b=Slibeskivetykkelse maks.	6 mm	6 mm
 b=Skæreskive tykkelse maks. / min.	3 mm / 1 mm	3 mm / 1 mm
 D=Slibeskive diameter maks.	115 mm	125 mm
 D=Kopbørstens diameter maks.	75 mm	75 mm
Vægt svarer til EPTA-procedure 01/2014 (Li-Ion 2,0 Ah ... 12,0 Ah)	2,4 ... 3,4 kg	2,4 ... 3,5 kg
Anbefalet omgivelsestemperatur til driften	-18 ... +50 °C	
Anbefalede batteripakker	M18B...; M18HB...	
Anbefalede opladere	M12-18...; M1418C6	
<b>Støjinformation:</b> Måleværdier beregnes iht. EN 60745. Værktøjets A-vurderede støjniveau er typisk:		
Lydrykniveau / Usikkerhed K	82,7 dB(A) / 3 dB(A)	82,7 dB(A) / 3 dB(A)
Lydeffekt niveau / Usikkerhed K	93,7 dB(A) / 3 dB(A)	93,7 dB(A) / 3 dB(A)
<b>Brug høreværn!</b>		
<b>Vibrationsinformation:</b> Samlede vibrationsværdier (værdi for tre retninger) beregnet iht. EN 60745.		
Vibrationseksponering $a_h$ / Usikkerhed K		
Overfladeslibning	4,8 m/s <sup>2</sup> / 1,5 m/s <sup>2</sup>	5,5 m/s <sup>2</sup> / 1,5 m/s <sup>2</sup>
Slibning med slibebled	1,1 m/s <sup>2</sup> / 1,5 m/s <sup>2</sup>	1,9 m/s <sup>2</sup> / 1,5 m/s <sup>2</sup>

Ved anden anvendelse, f.eks. kapskæring eller slibning med ståltrådsbørste, kan andre vibrationsværdier forekomme!

### ADVARSEL!

Det vibrations- og støjemissionsniveau, der nævnes i dette oplysningsskema, er blevet målt i overensstemmelse med en standardiseret test fra EN 60745, og det kan bruges til at sammenligne ét værktøj med et andet. Det kan bruges til en foreløbig bedømmelse af eksponeringen.

Det erklærede vibrations- og støjemissionsniveau repræsenterer værktøjets primære anvendelsesformål. Det er dog sådan, at hvis værktøjet bruges til andre formål, med forskelligt tilbehør eller dårlig vedligehold, så kan vibrations- og støjemissionen variere. Det kan evt. øge eksponeringsniveauet markant i løbet af det samlede arbejdsrum.

En vurdering af eksponeringsniveauet ift. vibration og støj bør også tage hensyn til de tidspunkter, hvor værktøjet er slukket eller hvor det kører, men rent faktisk ikke udfører jobbet. Det kan evt. mindske eksponeringsniveauet markant i løbet af det samlede arbejdsrum.

Identificér yderligere sikkerhedsforanstaltninger med henblik på at beskytte brugeren mod effekten af vibration og/eller støj, som fx: vedligehold værktøjet og tilbehøret, hold hænderne varme, organisering af arbejdsmønstre.

**ADVARSEL!** Læs alle sikkerhedsanvisninger og øvrige vejledninger. I tilfælde af manglende overholdelse af advarselshenvisningerne og instrukserne er der risiko for elektrisk stød, brand og/eller alvorlige kvæstelser.

Opbevar alle advarselshenvisninger og instrukser til senere brug.

### SIKKERHEDSINFORMATIONER FOR VINKELSLIBERE

Fælles advarselshenvisninger til slibning, sandpapirslibning, arbejde med trådbørster, polering og skærearbejde:

a) Dette elværktøj kan anvendes som sliber, sandpapirsliber, trådbørste og skæremaskine. Læs og overhold alle advarsler, instruktioner, illustrationer og data, som du modtager i forbindelse med elværktøjet. Overholder du ikke følgende instruktioner, kan du få elektrisk stød, der kan opstå brand og/eller du kan blive kvæstet alvorligt.

b) Dette el-værktøj er ikke egnet til polering. Anvendes el-værktøjet til formål, det ikke er beregnet til, kan der opstå farlige situationer, som kan medføre kvæstelser.

c) Anvend kun tilbehør, hvis det er beregnet til dette elværktøj og anbefalet af fabrikanten. En mulig fastgørelse af tilbehøret til elværktøjet sikrer ikke en sikker anvendelse.

d) Den tilladte hastighed for indsatsværktøjet skal mindst være så høj som den maksimale hastighed, der er angivet på elværværktøjet. Tilbehør, der drejer hurtigere end tilladt, kan brække og de enkelte dele flyve fra hinanden.

e) Indsatsværktøjets udvendige diameter og tykkelse skal svare til målene på dit elværktøj. Forkert målt indsatsværktøj kan ikke afskærme eller kontrolleres tilstrækkeligt.

f) Gevindene på tilbehørsdelene skal passe nøjagtigt til slibespindlens gevind. Ved tilbehørsdele, der monteres med flange, skal borehullet til opspændingsdornen i tilbehørsdelen passe nøjagtigt til lokaliseringsflangens diameter.

Tilbehørsdele, der ikke passer på værktøjets monteringsdorn, roterer excentrisk, vibrerer meget kraftigt og kan føre til, at brugeren mister kontrollen over værktøjet.

g) **Brug ikke el-værktøjet, hvis det er beskadiget. Kontrollér altid før brug indsatsværktøj som f.eks. slibeskiver for afsplintninger og revner, slibebagskiver for revner, slid eller stærkt slid, trådbørster for løse eller brækkede tråde. Tabes el-værktøjet eller indsatsværktøjet på jorden, skal du kontrollere, om det er beskadiget; anvend evt. et ubeskadiget indsatsværktøj. Når indsatsværktøjet er kontrolleret og indsat, skal du holde dig selv og personer, der befinder sig i nærheden, uden for det niveau, hvor indsatsværktøjet roterer, og lad el-værktøjet køre i et minut ved højeste hastighed. Beskadiget indsatsværktøj brækker for det meste i denne testtid.**

h) **Brug personligt beskyttelsesudstyr. Brug helmaske til ansigtet, øjenværn eller beskyttelsesbriller, afhængigt af det udførte arbejde. Brug afhængigt af arbejdets art støvmaske, høreværn, beskyttelseshandsker eller specialforklæde, der beskytter dig mod små slibe- og materialepartikler. Øjenene skal beskyttes mod fremmede genstande, der flyver rundt i luften og som opstår i forbindelse med forskelligt arbejde. Støv- eller åndedrætsmaske skal filtrere det støv, der opstår under arbejdet. Udsættes du for høj støj i længere tid, kan du lide høretab.**

i) **Sørg for tilstrækkelig afstand til andre personer under arbejdet. Enhver, der betræder arbejdsområdet, skal bruge personligt beskyttelsesudstyr. Brudstykker fra emnet eller brækket indsatsværktøj kan flyve væk og føre til kvæstelser også uden for det direkte arbejdsområde.**

j) **Hold maskinen fast i de isolerede gribeplader, når du udfører arbejde, hvor der er risiko for, at skæreværktøjet kan ramme skjulte strømledninger. Kommer skæreværktøjet i kontakt med en strømførende ledning, kan maskinens metaldele komme under spænding og give elektrisk stød.**

k) **Læg aldrig elværktøjet fra dig, før indsatsværktøjet er standstet helt. Det roterende indsatsværktøj kan komme i kontakt med frægningsfladen, hvorved du kan tabe kontrollen over elværktøjet.**

l) **Lad ikke elværktøjet køre, mens det bæres. Dit tøj kan blive fanget ved en tilfældig kontakt med det roterende indsatsværktøj, hvorved indsatsværktøjet kan bore sig ind i din krop.**

m) **Rengør ventilationsåbningerne på dit el-værktøj med regelmæssige mellemrum. Motorhuset trækker støv ind i huset, og store mængder metalstøv kan være farligt rent elektrisk.**

n) **Brug ikke el-værktøjet i nærheden af brændbare materialer. Gnister kan sætte ild i materialer.**

o) **Brug ikke indsatsværktøj, der transporterer flydende kølemiddel. Brug af vand eller andre flydende kølemidler kan føre til elektrisk stød.**

#### Tilbageslag og tilsvarende advarsler

Tilbageslag er en pludselig reaktion, som skyldes, at et roterende indsatsværktøj (slibemaskine, slibebagskive, trådbørste osv.) har sat sig fast eller blokerer. Fastsættelse eller blokering fører til et pludseligt stop af det roterende indsatsværktøj. Derved accelereres et ukontrolleret el-værktøj mod indsatsværktøjets omningsretning på blokeringsstedet.

Sidder f.eks. en slibeskive fast eller blokerer i et emne, kan kanten på slibeskiven, der dykker ned i emnet, blive siddende, hvorved slibeskiven brækker af eller fører til et tilbageslag. Slibeskiven bevæger sig så hen imod eller væk fra betjeningspersonen, afhængigt af skivens drejerejretning på blokeringsstedet. Derved kan slibeskiver også brække.

Et tilbageslag skyldes forkert eller fejlbæret brug af el-værktøjet. Det kan forhindres ved at træffe egnede forsigtighedsforanstaltninger, der beskrives i det følgende.

a) **Hold godt fast i el-værktøjet og sørg for at både krop og arme befinder sig i en position, der kan klare tilbageslagskræfterne. Anvend altid ekstrahåndtaget, hvis et sådant findes, for at have så meget kontrol som muligt over tilbageslagskræfterne eller reaktionsmomenterne, når maskinen kører op i hastighed. Betjeningspersonen kan beherske tilbageslag- og reaktionskræfterne med egnede forsigtighedsforanstaltninger.**

b) **Sørg for at din hånd aldrig kommer i nærheden af det roterende indsatsværktøj. Tilbehør kan evt. springe tilbage på din hånd.**

c) **Undgå at din krop befinder sig i det område, hvor el-værktøjet bevæger sig i forbindelse med et tilbageslag. Tilbageslaget driver elværktøjet i modsat retning af slibeskivens bevægelse på blokeringsstedet.**

d) **Arbejd særlig forsigtig i områder som f.eks. hjørner, skarpe kanter osv. Forhindre at indsatsværktøjet slår tilbage fra emnet og sætter sig fast. Det roterende indsatsværktøj har tendens til at sætte sig fast, når det anvendes i hjørner, skarpe kanter eller hvis det springer tilbage. Dette medfører, at man taber kontrollen eller tilbageslag.**

e) **Anvend ikke en kædesavklinge eller en tandet savklinge. Et sådant indsatsværktøj fører ofte til et tilbageslag eller at man mister kontrollen over elværktøjet.**

#### Særlige advarselshenvisninger til slibning og skærearbejde

a) **Brug udelukkende slibeskiver/slibestifter, der er godkendt til dit elværktøj, og den beskyttelseskappe, der er beregnet til disse slibeskiver/slibestifter. Slibeskiver/slibestifter, der ikke er beregnet til el-værktøjet, kan ikke beskyttes tilstrækkeligt og er usikre.**

b) **Forkrøppede slibeskiver skal monteres sådan, at deres slibeflade ikke rager ud over niveauet på beskyttelseskærmens kant. En ukorrekt monteret slibeskive, der rager ud over niveauet på beskyttelseskærmens kant, kan ikke afskærmes tilstrækkeligt.**

c) **Anvend altid beskyttelseskappen, der er beregnet til den anvendte type slibeskiver/slibestifter. Beskyttelseskappen skal være anbragt sikkert på elværktøjet og være indstillet på en sådan måde, at der nås max. sikkerhed, dvs. at den mindst mulige del af slibeskiven skal pege hen imod betjeningspersonen. Skærmen hjælper med at beskytte operatøren mod ødelagte klingedele, kontakt med klingens ved et uheld og gnister, som kan sætte tøj i brand.**

d) **Slibeskiver/slibestifter må kun anvendes til de anbefalede formål. F.eks.: Slib aldrig med sidefladen på en skæreskive. Skæreskiver er bestemt til materialeafslibning med kanten på skiven. Udsættes disse slibeskiver/slibestifter for sidevendt kraftpåvirkning, kan de ødelægges.**

e) **Anvend altid ubeskadigede spændeflanger i den rigtige størrelse og form, der passer til den valgte slibeskive. Egnede flanger støtter slibeskiven og forringer således faren for brud på slibeskiven. Flanger til skæreskiver kan være forskellige fra flanger for andre slibeskiver.**

f) **Brug ikke slidte slibeskiver, der passer til større elværktøj. Slibeskiver til større elværktøj kan brække, da de ikke er egnet til de højere omdrejningstal, som småt elværktøj arbejder med.**

#### Yderligere særlige advarselshenvisninger til skærearbejde

a) **Undgå at skæreskiven blokerer eller får for højt modtryk. Foretag ikke meget dybe snit. Overbelastes skæreskiven, øges skivens belastning og der er større tendens til, at skiven kan sætte sig i klemme eller blokere, hvilket igen kan føre til tilbageslag eller brud på slibeskiven/slibestiften.**

b) **Undgå området for og bag ved den roterende skæreskive. Bevæger du skæreskiven i emnet væk fra dig selv, kan elværktøjets roterende skive slynges direkte ind mod dig i tilfælde af et tilbageslag.**

c) **Sidder skæreskiven i klemme eller afbryder du arbejdet, slukkes elværktøjet og maskinen holdes roligt, til skiven er stoppet. Forsøg aldrig at trække skæreskiven ud af snittet, mens den roterer, da dette kan føre til et tilbageslag. Lokalisér og afhjælp fejlen.**

d) **Tænd ikke for elværktøjet, så længe det befinder sig i emnet. Sørg for at skæreskiven når op på sit fulde omdrejningstal, før du forsigtigt fortsætter snittet. Ellers kan skiven sætte sig i klemme, springe ud af emnet eller forårsage et tilbageslag.**

e) **Understøt plader eller store emner for at reducere risikoen for et tilbageslag som følge af en fastklemt skæreskive. Store plader kan bøje sig under deres egen vægt. Emnet skal støttes på begge sider, både i nærheden af skæresnittet og ved kanten.**

f) **Vær særlig forsigtig med „lommensnit“ i eksisterende vægge eller andre områder, du ikke har indblik til. Den neddykkende skæreskive kan forårsage et tilbageslag, når der skæres i gas- eller vandledninger, elektriske ledninger eller andre genstande.**

#### Særlige advarselshenvisninger til sandpapirslibning:

a) **Anvend ikke overdimensioneret slibepapir, men læs og overhold fabrikantens forskrifter mht. slibepapirets størrelse. Slibepapirer, der rager ud over slibebagskiven, kan føre til kvæstelser eller blokering eller iturivning af slibepapirerne eller til tilbageslag.**

#### Særlige advarselshenvisninger i forbindelse med arbejde med trådbørster:

a) **Bemærk, at trådbørsten mister trådstykker også under almindelig brug. Undgå at overbelaste trådene ved for kraftigt et tryk. Udslyngede trådstykker kan meget let trænge gennem tynd beklædning og/eller huden.**

b) **Anbefales det at bruge en beskyttelseskappe, skal du forhindre, at beskyttelseskappe og trådbørste kan berøre huden. Tallerken- og kopbørster kan øge deres diameter med tryk og centrifugalkraft.**

#### YDERLIGERE SIKKERHEDS- OG ARBEJDSINFORMATIONER

Kontrollér altid bunden på spindellåsen i helt løs tilstand, før værktøjet tændes! Efter at have brugt spindellåsen til at stramme / løsne slibeskiven, kan bunden eventuelt befinde sig i låst position.

Gnistregn opstår ved slibning af metal. Vær opmærksom på, at personer ikke kommer til skade. På grund af brandfare må brændbare materialer ikke opbevares i nærheden (gnistregnområde). Brug ikke støvsuger.

Undgå at gnistregn og slibestøv rammer din krop.

Pas på ikke at få hånden ind i maskinen.

Spåner eller splinter må ikke fjernes, medens maskinen kører.

Slib skrås for værktøjet, hvis der opstår betydelige svingninger eller der konstateres andre mangler. Kontrollér værktøjet og find frem til årsagen.

Under ekstreme forhold (f.eks. glatslibning af metaller med arbor og vulkaniseret fiberskive) er der risiko for ophobning af snavs på indersiden af sliberen.

Metaldele må ikke trænge ind i ventilationsåbningerne, da dette kan føre til kortslutning

ADVARSEL! Fare for forbrændinger! Skiven og arbejdsemnet kan blive varme under brug. Bær handsker når skiven skal udkliffes eller arbejdsemnet skal brøkses. Hold altid hænderne væk fra slibeområdet.

ADVARSEL! For at undgå risiko for brand, kvæstelser eller beskadigelse af produktet forårsaget af kortslutning må værktøjet, batteripakken eller opladeren ikke nedsænkes i vand. Sørg ligeledes for, at der ikke trænger væske ind i enhederne og batterierne. Korroderende eller ledende væsker, f.eks. saltvand, bestemte kemikalier, blegestoffer eller produkter, som indeholder blegestoffer, kan forårsage kortslutning.

Udkliffningsbatterier og opladere må ikke åbnes og skal opbevares i tørre rum. Beskyt dem mod fugtighed.

Brug kun M18 ladeapparater for opladning af System M18 batterier.

#### TILTÆNKT FORMÅL

Vinkelsliberen er beregnet til slibning og skæring af metal, sten, cement og keramisk materiale, samt sand- og trådbørstning.

Brug skæringshætten fra tilbehøret til skæringsarbejde.

Er du i tvivl, så læs vejledningen fra producenten af tilbehøret.

Det elektriske værktøj er kun egnet til tørslibning og -skæring.

Der må kun anvendes passende slibe- og skæreskiver, og dertilhørende beskyttelsesudstyr (slibe- og skæringsbeskyttelse), som beskrevet i produktspecifikationen i denne vejledning. Vinkelsliberen er udviklet til manuel brug; den må ikke monteres på en fastgørelsesenhed eller arbejdsbænk.

Brug ikke produktet til andre formål, end de her beskrevne.

#### RESTRISICI

Selv ved korrekt brug kan alle restrisici ikke udelukkes. Brugen kan medføre følgende farer, som operatøren bør være særlig opmærksom på:

- Kvæstelser, som forårsages af vibration. Hold maskinen fast i de dertil beregnede greb og begræns arbejds- og ekspositionstiden.
- Støjbelastning kan medføre høreskader. Brug høreværn og begræns ekspositionstiden.
- Øjenskader på grund af snavspartikler. Brug altid beskyttelsesbriller, faste lange bukser, handsker og fast fodtøj.
- Indånding af giftigt støv.

#### BEMÆRKNINGER VEDRØRENDE LI-ION-BATTERIER

##### Brug af Li-ion-batterier

Udkliffningsbatterier, der ikke har været brugt i længere tid, efterlades inden brug.

Ved temperaturer over 50°C forminskes batteriets effekt. Undgå direkte sollys og stærk varme.

Tilslutningskontaktterne på oplader og udkliffningsbatterier skal holdes rene.

For at opnå en optimal levetid skal de genopladelige batterier oplades fuldt efter brug.

For at sikre en så lang levetid som muligt skal batterierne tages ud af ladeaggregatet efter opladning.

Skal batterierne opbevares længere end 30 dage:

Temperatur ca. 27°C i tørre omgivelser.

Opbevares ved ca. 30%-50% af ladetilstanden.

Batteri skal genoplades hver 6. måned.

##### Overbelastningsbeskyttelse vedrørende Li-ion-batterier

Overbelastningsbatterier på grund af meget højt strømforbrug, f.eks. som følge af ekstremt høje drejningsmomenter, pludseligt stop eller kortslutning, vibrerer el-værktøjet i 5 sekunder, ladeindikatoren blinker, og el-værktøjet slukker af sig selv.

For at tænde igen slippes trykknappen, hvorefter du tænder el-værktøjet igen. Ved ekstreme belastninger bliver batteriet for varmt. I så fald blinker alle lamper på ladeindikatoren, indtil batteriet er kølet af. Når ladeindikatoren går ud, kan arbejdet genoptages.

##### Transport af lithium-batterier

Lithium-batterier er omfattet af lovgivningen om transport af farligt gods.

Transporten af disse batterier skal ske under overholdelse af lokale, nationale og internationale regler og bestemmelser.

Forbrugere må transportere disse batterier på veje uden yderligere krav.

Den kommercielle transport af lithium-batterier ved speditorsfirmaer er omfattet af reglerne for transport af farligt gods. Forberedelsen af forsendelse og transport må kun udføres af tilsvarende trænedede personer. Den samlede proces skal følges af fagfolk.

Følgende punkter skal overholdes ved transport af batterier:

Sørg for at kontakterne er beskyttet og isoleret for at forhindre kortslutninger.

Sørg for at batteripakken ikke kan bevæge sig inden for emballagen. Beskadigede eller lækende batterier må ikke transporteres. Kontakt dit speditorsfirma for at få yderligere oplysninger.

## ARBEJDSANVISNINGER

### Overbelastnings- og kickback-beskyttelse

Maskinen er udstyret med en overload- og anti kickback-beskyttelsesfunktion og stopper i tilfælde af overbelastning. Sluk for el-værktøjet og tænd derefter igen for el-værktøjet for at fortsætte arbejdet.

### Blød opstart

Elektronisk blød opstart til sikker håndtering; hindrer ved indkobling en maskinstart i ryk.

For værktøj hvorpå der skal monteres hjul med gevindskåret hul, skal De sikre, at gevindet i hjulet er langt nok til at rumme aksellængden.

Benyt og opbevar kun skære- og slibeskiver iht. fabrikantens angivelser.

Anvend altid sikkerhedsskærm ved skrubning og skæring.

Forkrøpede slibeskiver skal monteres sådan, at deres slibeflade ikke rager ud over niveaueet på beskyttelsesskærmens kant.

Flangemøtrikken skal spændes inden maskinen tages i brug.

Brug altid støttetrebet.

Det arbejdsøse, som skal bearbejdes, fastspændes, medmindre det holdes på plads af arbejdsøsets egenvægt. Før aldrig emnet mod skiven med hånden.

Flangemøtrikken skal være spændt godt, inden maskinen tages i brug. Hvis indsatsværktøjet ikke er spændt godt fast med flangemøtrikken, er der mulighed for, at indsatsværktøjet vil miste den nødvendige spændkraft ved bremsningen.

## RENGØRING

Hold altid maskinens ventilationsåbninger rene.

## VEDLIGEHOLDELSE

Brug kun Milwaukee-tilbehør og Milwaukee-reservedele. Komponenter, hvor udskiftningsproceduren ikke er beskrevet, skal skiftes ud hos et Milwaukee-servicested (se brochure garanti/kundeserviceadresser).

Ved opgivelse af type nr. der er angivet på maskinens effektskilt, kan de rekvirere en reservedelstegning, ved henvendelse til: Techtronic Industries GmbH, Max-Eyth-Strasse 10, 71364 Winnenden, Germany.

## SYMBOLER

	Læs brugsanvisningen nøje før ibrugtagning.
	VIGTIGT! ADVARSEL! FARE!
	Ved arbejde inden i maskinen, bør batteriet tages ud.
	Brug ikke værnet til afskæringsopgaver.
	Brug ikke kraft.
	Anvend magt.

	Når der arbejdes med maskinen, skal man have beskyttelsesbriller på.
	Bær høreværn.
	Benyt egnet åndedrætsværn.
	Brug beskyttelseshandsker!
	Arbejd altid med begge hænder.
	Kun til slibearbejder.
	Kun til skærearbejder.
	Vær opmærksom på den tilladte skivetykkelse.
	Tilbehør - ikke inkluderet i leveringsomfanget, køb købes som tilbehør.
	Elektrisk udstyr må ikke bortskaffes sammen med det almindelige husholdningsaffald. Elektrisk og elektronisk udstyr skal indsamles særskilt og afleveres hos en genbrugsvirksomhed til en miljømæssig forsvarlig bortskaffelse. Spørg de lokale myndigheder eller din forhandler om genbrugsstationer og indsamlingssteder til sådant affald.
	Nominelt omdrejningstal
	Spænding
	Jævnstrøm
	Europæisk konformitetsmærke
	Britisk konformitetsmærke
	Ukrainsk konformitetsmærke
	Eurasisk konformitetsmærke

## TEKNISKE DATA

	M18 FSAG115X	M18 FSAG125X
Type	Batteridrevne vinkelsliper	Batteridrevne vinkelsliper
Produktionsnummer	4830 49 01 XXXXXX MJJJJ	4830 56 01 XXXXXX MJJJJ
Spænding vekselbatteri	18 V	18 V
Nominelt turtall	8500 min <sup>-1</sup>	8500 min <sup>-1</sup>
Spindelgjenge	M14	M14
D=slipeskive-Ø maks.	115 mm	125 mm
d=hull-Ø	22,2 mm	22,2
	b=Slipeskivetykkelse maks.	6 mm
	b=Tykkelse av kappeskiver. maks. / minimum	3 mm / 1 mm
	D=Diameter på slipeskiven maks.	115 mm
	D=Stålbørster-Ø maks.	75 mm

Vekt i henhold til EPTA-Proseduren 01/2014 (Li-Ion 2,0 Ah ... 12,0 Ah)	2,4 ... 3,4 kg	2,4 ... 3,5 kg
Anbefalt omgivelsestemperatur for drift	-18 ... +50 °C	
Anbefalte batteripakker	M18B...; M18HB...	
Anbefalte ladere	M12-18...; M1418C6	

**Støyniveauinformasjon:** Måleverdier fastslått i samsvar med EN 60745. Det typiske A-bedømte støynivået for maskinen er:

Lydtryknivå / Usikkerhet K	82,7 dB(A) / 3 dB(A)	82,7 dB(A) / 3 dB(A)
Lydeffektnivå / Usikkerhet K	93,7 dB(A) / 3 dB(A)	93,7 dB(A) / 3 dB(A)

### Bruk hørselsvern!

**Vibrasjonsinformasjon:** Totale svingningsverdier (vektorsum fra tre retninger) beregnet jf. EN 60745.

Svingningsemissionsverdi a<sub>n</sub> / Usikkerhet K

Sliping av overflater	4,8 m/s <sup>2</sup> / 1,5 m/s <sup>2</sup>	5,5 m/s <sup>2</sup> / 1,5 m/s <sup>2</sup>
Sliping med slipeblad	1,1 m/s <sup>2</sup> / 1,5 m/s <sup>2</sup>	1,9 m/s <sup>2</sup> / 1,5 m/s <sup>2</sup>

Ved andre anvendelser, som f.eks. kutting eller sliping med stålbørste, kan andre vibrasjonsverdier oppstås!

## ADVARSEL!

De angitte vibrasjonseksposering- og støynivåverdiene har blitt målt i samsvar med standardiserte målemetoder jamfør EN 60745 og kan brukes til å sammenligne et verktøy med et annet. De kan brukes til en foreløpig eksponeringsvurdering.

De angitte vibrasjonseksposering- og støyemisjonsverdiene gjelder for vanlig bruk av verktøyet. Dersom verktøyet blir brukt til noe annet, sammen med annet utstyr eller er dårlig vedlikeholdt kan de angitte vibrasjonseksposering- og støyeverdiene variere. Dette kan øke eksponerings- og emisjonsverdiene betraktelig for hele perioden du bruker verktøyet.

Når en vurderer vibrasjonseksposeringsnivået og støyeverdi må en inkludere den perioden som verktøyet er slått av eller når verktøyet går, men ikke direkte brukes til noe. Dette kan redusere eksponeringsnivået betraktelig over hele perioden som verktøyet er i bruk.

Det er viktig å etablere ytterligere sikkerhetstiltak for å beskytte brukeren mot påvirkning av vibrasjon og/eller støy, slik som: vedlikehold av verktøyet og tilleggsutstyr, hold hendene varme, organiserte arbeidsrutiner.

**ADVARSEL!** Les alle sikkerhetsinstruksjoner og bruksanvisninger. Feil ved overholdelsen av advarslene og nedenstående anvisninger kan medføre elektriske støt, brann og/eller alvorlige skader.

**Ta godt vare på alle advarslene og informasjonene.**

## SIKKERHETSINSTRUKSJONER FOR VINKELSLIPER

**Felles advarsler om sliping, sandpapirsliping, arbeid med stålbørster, polering og kapping:**

**a) Dette elektroverktøyet skal brukes som sliper, sandpapirsliper, stålbørste og kutteliper. Følg alle advarsler, anvisninger, bilder og data som du får levert sammen med elektroverktøyet. Hvis du ikke følger følgende anvisninger, kan det oppstå elektriske støt, ild og/eller store skader.**

**b) Dette elektroverktøyet er ikke egnet til polering.** Bruk som elektroverktøyet ikke er konstruert for, kan forårsake farer og skader.

**c) Ikke bruk tilbehør som ikke er spesielt beregnet og anbefalt av produsenten for dette elektroverktøyet.** Selv om du kan feste tilbehøret på elektroverktøyet ditt, garanterer dette ingen sikker bruk.

**d) Det tillatte omdreiningstallet til elektroverktøyet må være minst så høyt som det maksimale omdreiningstallet som er oppgitt på elektroverktøyet.** Tilbehør som dreier seg raskere enn tillatt kan brenne eller slynges rundt.

**e) Utvendig diameter og tykkelse på innsatsverktøyet må tilsvare målene for elektroverktøyet.** Gale innsatsverktøy kan ikke sikres eller kontrolleres tilstrekkelig.

**f) Gjengene til tilbehørsdelene skal stemme overens med gjenget til slipespindelen. Ved tilbehørsdeler som flenses på, skal boringen for oppspenningstabben i tilbehørsdelen stemme overens med diameteren til lokaliseringsskruen.** Tilbehørsdeler som ikke passer på montasje tabben til apparatet går ikke sentrisk, vibrerer overstadig sterkt og derfor kan det føre til at man mister kontrollen over verktøyet.

g) Ikke bruk skadede innsatsverktøy. Sjekk før hver bruk om innsatsverktøy slik som slipeskiver er splintret eller revnet, om slipetallerener er revnet eller svært slitt, om stålborster har løse eller har brukkede tråder. Hvis elektroverktøyet eller innsatsverktøyet faller ned, må du kontrollere om det er skadet eller bruk er ikke skadet innsatsverktøyet. Når du har kontrollert og satt inn innsatsverktøyet, må du holde personer som oppholder seg i nærheten unna det roterende innsatsverktøyet og la elektroverktøyet gå i ett minutt med maksimalt turtall. Som regel brykker skadede innsatsverktøy i løpet av denne testtiden.

h) Bruk personlig beskyttelsesutstyr. Avhengig av typen bruk må du bruke visir, øyebeskyttelse eller vernebriller. Om nødvendig må du bruke støvmaske, hørselvern, vernehansker eller spesialforikle som holder små slipe- og materialpartikler unna kroppen din. Øynene bør beskyttes mot fremmedlegemer som kan fly rundt ved visse typer bruk. Støv- eller pustevernmasker må filtrere den typen støv som oppstår ved denne bruken. Hvis du er utsatt for sterk støv over lengre tid, kan du miste hørselen.

i) Pass på at andre personer holder tilstrekkelig avstand til arbeidsområdet ditt. Alle som går inn i arbeidsområdet må bruke personlig verneutstyr. Brukne deler til verktøyet eller brukne innsatsverktøy kan slynges ut og derfor også forårsake skader utenfor det direkte arbeidsområdet.

j) Hold apparatet i de isolerte holdeflatene, når det arbeides på steder hvor elektroverktøyet kan treffe skjulte strømlødnings. Kontakt med en ledning som er under spenning, kan også sette metalldele til apparatet under spenning og føre til et elektrisk slag.

k) Legg aldri fra deg elektroverktøyet før verktøyet har stanset helt. Det roterende innsatsverktøyet kan komme i kontakt med overflaten der maskinen legges ned, slik at du kan miste kontrollen over elektroverktøyet.

l) La aldri elektroverktøyet være innkoblet mens du bærer det. Tøyet ditt kan komme inn i det roterende innsatsverktøyet hvis det tilfeldigvis kommer i kontakt med verktøyet og innsatsverktøyet kan da bore seg inn i kroppen din.

m) Rengjør ventilasjonsåpningene til elektroverktøyet med jevne mellomrom. Motorviften trekker støv inn i huset, og en stor oppsamling av metallstøv kan medføre elektrisk fare.

n) Ikke bruk elektroverktøyet i nærheten av brennbare materialer. Gnister kan antenne disse materialene.

o) Bruk ikke innsatsverktøy som krever flytende kjølemidler. Bruk av vann eller andre flytende kjølemidler kan føre til elektriske støt.

#### Tilbakeslag og tilsvarende advarsler

Tilbakeslag er innsatsverktøyet plutselig reaksjon etter at det har hengt seg opp eller blokkerer. Dette kan gjelde slipeskiven, slipetallerekenen, stålborsten osv. Opphenging eller blokkering fører til at det roterende innsatsverktøyet stanser helt plutselig. Slik akselereres et ukontrollert elektroverktøy mot innsatsverktøyet dreieretning på blokkeringstedet.

Hvis f. eks. en slipeskive henger seg opp eller blokkerer i arbeidsstykket, kan kanten på slipeskiven som dykker inn i arbeidsstykket, henge seg opp og slik brykker slipeskiven eller forårsaker et tilbakeslag. Slipeskiven beveger seg da mot eller bort fra brukeren, avhengig av skivens dreieretning på blokkeringstedet. Slik kan slipeskiver også brykke.

Et tilbakeslag er resultat av en gal eller feilaktig bruk av elektroverktøyet. Det kan unngås ved å følge egnede sikkerhetstiltak som beskrevet nedenstående.

a) Hold elektroverktøyet godt fast og plasser kroppen og armene dine i en stilling som kan ta imot tilbakeslagskrefter. Bruk alltid ekstrahåndtaket – hvis dette finnes – for å ha størst mulig kontroll over tilbakeslagskrefter eller reaksjonsmomenter ved oppkjøring. Brukeren kan beherske tilbakeslags- og reaksjonsmomenter med egnede tiltak.

b) Hold aldri hånden i nærheten av det roterende innsatsverktøyet. Tilleggsutstyr kan kastes over hånden din.

c) Unngå at kroppen din befinner seg i området der elektroverktøyet vil bevege seg ved et tilbakeslag. Tilbakeslaget driver elektroverktøyet i motsatt retning av slipeskivens dreieretning på blokkeringstedet.

d) Vær spesielt forsiktig i hjørner, på skarpe kanter osv. Du må forhindre at innsatsverktøyet avprelles fra arbeidsstykke eller klemmes fast. Det roterende innsatsverktøyet har en tendens til å klemmes fast i hjørner, på skarpe kanter eller hvis det avprelles. Dette forårsaker kontrolltap eller tilbakeslag.

e) Ikke bruk sagbleadet med kjeder eller tenner. Slike verktøy forårsaker ofte et tilbakeslag eller at man mister kontrollen over elektroverktøyet.

#### Spesielle advarsler om sliping og kapping

a) Bruk kun slipeskiver som er godkjent for dette elektroverktøyet og et verneedekele som er konstruert for denne typen slipeskive. Slipeskiver som ikke ble konstruert for dette elektroverktøyet, kan ikke beskyttes tilsvarende og er ikke sikre.

b) Bøye slipeskiver skal monteres slik at slifeplaten ikke rager ut over kanten av vernehettens flate. Usakkyndig monterte slipeskiver som rager utover kanten på vernehettens flate kan ikke bli tilstrekkelig avskjermet.

c) Bruk alltid verneedekele som ble konstruert for den slipeskivetyper du bruker. Verneedekelet må monteres sikkert på elektroverktøyet og innstilles slik at det oppnås så stor sikkerhet som mulig, dvs. den minste delen på slipeskiven skal peke åpent mot brukeren. Vernet beskytter brukeren mot bruddstykker fra skiven, utilsikket kontakt med skiven og mot at gnister kan sette fyr på klærne.

d) Kappeskivene får kun benyttes for de anbefalte bruksmulighetene f. eks.: Slip aldri med kappeskivens sideflate. Kappeskivene er ment brukt til materialsliping med skivekanten. Hvis slipelegemet påvirkes fra siden, kan det brykke. Slipeskiver må kun brukes til anbefalt type bruk. F. eks.: Ikke slip med sideflaten til en kappeskive. Kappeskiver er beregnet til materialfjerning med kanten på skiven. Innvirkning av krefter fra siden kan føre til at slipeskivene brykker.

e) Bruk alltid uskadede spennflenser i riktig størrelse og form for den slipeskiven du har valgt. Egnede flenser støtter slipeskiven og reduserer slik faren for at slipeskiven brykker. Flenser for kappeskiver kan være annerledes enn flenser for andre slipeskiver.

f) Ikke bruk slitte slipeskiver fra større elektroverktøy. Slipeskiver for større elektroverktøy er ikke beregnet til de høyere turtall på mindre elektroverktøy og kan brykke.

#### Ytterligere spesielle advarsler for kappesliping

a) Unngå blokkering av kappeskiven eller for sterkt presstrykk. Ikke utfør for dype snitt. En overbelastning av kappeskiven øker siltasjen og tendensen til fastklinging eller blokkering og dermed også muligheten til tilbakeslag eller brudd på slipeskiven.

b) Unngå området foran og bak den roterende kappeskiven. Hvis kappeskiven beveger seg bort fra deg i arbeidsstykket, kan elektroverktøyet med den roterende skiven ved tilbakeslag slynges direkte mot kroppen din.

c) Hvis kappeskiven blokkerer eller du avbryter arbeidet, slår du av elektroverktøyet og holder det rolig til skiven er stanset helt. Forsøk aldri å trekke den roterende kappeskiven ut av snittet, ellers kan det oppstå et tilbakeslag. Finn og fjern årsaken til blokkeringen.

d) Ikke start elektroverktøyet igjen så lenge det befinner seg i arbeidsstykket. La kappeskiven oppnå det maksimale turtallet før du fortsetter forsiktig med snittet. Ellers kan skiven henge seg opp, springe ut av arbeidsstykke eller forårsake tilbakeslag.

e) Støtt plater eller store arbeidsstykker for å redusere risikoen for tilbakeslag fra en fastklemt kappeskive. Store arbeidsstykker kan bøyes av sin egen vekt. Arbeidsstykke må støttes på begge sider, både nær kappesnittet og på kanten.

f) Vær spesielt forsiktig ved „lommekutt“ i ferdige vegger eller andre områder som ikke kan sees inn i. Den inntrengende kappeskiven kan treffe på gass- eller vannledninger, elektriske ledninger eller gjenstander som kan forårsake tilbakeslag.

#### Spesielle advarsler om sandpapiersliping:

a) Ikke bruk overdimensjonerte slipeskiver, følg produsentens informasjonen om slipepapir-størrelsen. Slipeskiver som peker ut over slipetallerekenen kan forårsake skader og føre til at slipeskivene blokkerer eller revner eller til at det oppstår tilbakeslag.

#### Spesielle advarsler for arbeid med stålborster:

a) Vær oppmerksom på at stålborsten også ved normal bruk mister deler. Ikke overbelast borsten med for høyt trykk. Stålpartikkelene som løsner kan lett trenge gjennom tynne klær og/eller inn i huden.

b) Hvis det anbefales å bruke et verneedekele, må du forhindre at verneedekelet og stålborsten kan berøre hverandre. Tallerkene- og kobbborster kan få større diameter med presstrykk og sentrifugalkrefter.

#### YTTERLIGE SIKKERHETS- OG ARBEIDSSINSTRUKSJONER

Kontroller alltid at spindellåseknappen er helt frigjort før du slår på verktøyet! Etter bruk av spindellåsen for å stramme / løse slipeskiven, er det mulig at knappen kan holde seg i låsestillingen.

Ved sliping av metall flyr det gnister. Pass på at ingen personer blir utsatt for fare. På grunn av brannfaren må det ikke finnes noen brennbare materialer i nærheten (gnistområdet). Ikke bruk støvavslug.

Unngå at flyvende gnister og slipestøv treffer kroppen.

Gode grip inn i fareområdet mens maskinen er i gang.

Spon eller fliser må ikke fjernes mens maskinen er i gang.

Slå straks av apparat når det oppstår store svingninger eller du fastslår andre mangler. Kontroller maskinen for å fastslå årsaken.

Under ekstreme forhold (f.eks. ved glattsliping av metaller med doren og vulkanfiber-slipeskiven), kan det bygge seg opp en betydelig mengde smuss på innsiden av slipemaskinen.

På grunn av kortslutningsfare må metalldele ikke komme inn i lufteåpningene.

ADVARSEL! Brannfare! Skiven og arbeidsstykket blir varmt under bruk. Bruk hansker når du skifter skiver eller berører arbeidsstykke. Hold hendene vekk fra slipeområdet til enhver tid.

ADVARSEL! For å unngå fare for en brann forårsaket av en kortslutning, av personskader eller skader av produktet, må det forhindres at batteripakken eller laderen dyppes i væsker og også sørges for at ingen væsker kan komme inn i apparatene eller batteriene. Korroderende og ledende væsker som saltvann, visse kjemikalier og blekemidler eller produkt som inneholder blekemidler kan forårsake en kortslutning.

Ikke åpne vekselbatterier og ladere, de skal oppbevares i tørre rom. Beskyttes mot fuktighet.

Vekselbatterier av systemet M18 skal kun lades med lader av systemet M18. Ikke lad opp batterier fra andre systemer.

#### FORMÅLSMESSIG BRUK

Vinkelsliperen er beregnet for sliping og skjæring av metall, stein, betong og keramiske materialer samt sliping og stålborsting.

Bruk en sageslette fra tilbehørslisten når du sager.

I tvilstilfeller ta hensyn til instruksjonene til produsenten av tilbehøret.

Elektroverktøyet er kun egnet for tørr bearbeiding.

Bare hensiktsmessige slipe- eller skjæreskiver og relaterte vern (slipevern eller skjæreværn) som beskrevet i produktspesifikasjonsdelen i denne håndboken, skal monteres på vinkelsliperen. Vinkelsliperen er utformet for håndholdt bruk; den skal ikke monteres på en fiktur eller arbeidsbenk.

Ikke bruk produktet på annen måte enn det som er angitt for beregnet bruk.

#### RESTFARER

Også ved sakkyndig bruk kan ikke alle restrisikoer utelukkes. Ved bruk kan følgende farer oppstå og som bruker spesielt skulle ta hensyn til:

- Skader forårsaket av vibrasjon. Hold alltid apparatet i håndtakene som er konstruert for dette og begrens arbeids- og eksponeringstiden.
- Støy kan føre til hørselsskader. Bruk hørselvern og begrens eksponeringens varighet.
- Øyeskader forårsaket av smusspartikler. Bruk alltid vernebriller, solide langbukser, hansker og stødige sko.
- Innånding av giftig støv

#### INFORMASJON SOM GJELDER LI-ION BATTERIPAKKER

##### Bruk av Li-Ion batteripakker

Vekselbatterier som ikke er brukt over lengre tid skal etterlades for bruk.

En temperatur over 50°C reduserer vekselbatteriets kapasitet. Unngå oppvarming i sol eller ved varmeovner (fyring) i lengre tid.

Hold tilkopplingskontaktene på lader og vekselbatteri rene.

For optimal holdbarhet må batteriene lades opp helt etter bruk.

For å sikre en lengst mulig bruketid av batteriene skal disse etter oppladning taes ut av laderen.

Ved lagring av batteriene lengre enn 30 dager:

Lagre batteriet tørt ved ca. 27°C.

Lagre batteriet ved en oppladningstilstand på ca. 30%-50%.

Lade opp batteriet igjen etter 6 måneder.

##### Overlastvern i Li-Ion batteripakker

Ved overbelastning av det oppladbare batteriet p.g.a. svært høyt strømforbruk; f.eks. ekstrem høye dreiemoment, plutselig stopp eller kortslutning, vibrert elektroverktøyet 5 sekunder, displayet for opplading blinker og elektroverktøyet utkobler seg automatisk.

For gjeninnkobling, slipp løs bryteren og slå så på igjen. Ved ekstreme belastninger opphører det oppladbare batteriet seg for sterkt. I slike tilfeller blinker alle lampene på displayet til batteriet er avkjølt. Når lampene har sluttet å blinke, kan man fortsette å arbeide.

##### Transport av Litium-Ion-Batterier

Litium-ion-batterier faller under de lovfastede forskriftene om transport av farlig gods.

Transporten av disse batteriene må rette seg etter lokale, nasjonale og internasjonale forskrifter og bestemmelser.

Forbruker har lov å transportere disse batteriene på gaten uten reglementering.

Den kommersielle transport av Litium-ion-batterier av spedisjonsfirma faller under bestemmelsene om transport av farlig gods. Forberedningene av forsendelsen og transport skal utelukkende gjennomføres av personer som har blitt skolert til dette. Hele prosessen skal følges opp av fagfolk.

Følgende punkter skal tas hensyn til ved transport:

Kontroller at kontaktene er beskyttet og isolert for å unngå kortslutninger.

Pass på at batteripakken i forpakningen ikke kan skli fram og tilbake. Skadede eller batterier som lekker er det ikke lov å transportere. Ta kontakt med spedisjonsfirma for ytterlige henvisninger.

#### ARBEIDSSINSTRUKSJONER

##### Beskyttelse mot overbelastning og kast

Apparatet har en overlastnings- og Anti-Kickback vernefunksjon og stopper ved tilsvarende overvekt. Skru av elektroverktøyet og skru det så på igjen for å fortsette med jobben.

##### Lettoppstarting

Gjennom elektronisk lettoppstarting aksellererer maskinen kontinuerlig til det som er blitt valgt

For verktøy som skal tilpasses hjul med gjengete hull, påse at jengren i hjulet er langt nok til spindellengden.

Brug og oppbevar kappe- og slipeskiver alltid i henhold til produsentens anvisninger.

Arbeide alltid med vernebeskyttelse ved rubbing og kapping.

Bøyde slipeskiver skal monteres slik at slipeflaten ikke rager ut over kanten av vernehettens flate.

Flensmutteren må være trukket til før maskinen startes.

Brug alltid ekstrahåndtaket.

Det emnet som skal bearbejdes må være fastspent, hvis det ikke blir holdt av sin egen vekt. Før aldri emnet med hånden mot skiven.

Flensmutteren må skrues skikkelig fast før maskinen igangsettes. Dersom isettingsverktøyet ikke skrues fast med flensmutteren, består muligheten at isettingsverktøyet taper den nødvendige spennkraften ved nedbremsingen.

## RENGJØRING

Hold alltid lufteåpningene på maskinen rene.

## VEDLIKEHOLD

Brug kun Milwaukee tilbehør og Milwaukee reservedeler. Komponenter der utskifting ikke er beskrevet skal skiftes ut hos Milwaukee kundeservice (se brosjyre garanti/kundeserviceadresser).

Ved behov kan du be om en eksplosjonstegning av apparatet hos din kundeservice eller direkte hos Techtronic Industries GmbH, Max-Eyth-Straße 10, 71364 Winnenden, Germany. Oppgi maskintype og det nummeret på typeskiltet.

## SYMBOLER

	Les nøye gjennom bruksanvisningen før maskinen tas i bruk.
	OBS! ADVARSEL! FARE!
	Ta ut vekselbatteriet før du arbeider på maskinen
	Ikke bruk beskyttelsen til avskjæringsoperasjoner.
	Ikke bruk kraft.
	Brug makt.
	Brug alltid vernebrille når du arbeider med maskinen.
	Brug hørselsvern.
	Brug derfor verneemaske som er egnet for støv.
	Brug vernehansker!
	Brug alltid to hender.

	Kun for sliping.
	Kun for kapping.
	Vær oppmerksom på tillatt platetykkelse.
	Tilbehør - inngår ikke i leveransen, anbefalt komplettering fra tilbehørsprogrammet.
	Elektriske apparat skal ikke kastes sammen med vanlig husholdningsavfall. Elektriske og elektroniske apparat skal samles separat og leveres til miljøvennlig deponering til en avfall bedrift. Informer deg hos myndighetene på stedet eller hos din fagforhandler hvor det finnes recycling bedrifter oppsamlingssteder.
	Nomineelt turtall
	Spenning
	Likestrøm
	Europeisk samsvarsmerke
	Britisk samsvarsmerke
	Ukrainsk samsvarsmerke
	Euroasiatisk samsvarsmerke

TEKNISKA DATA	M18 FSAG115X	M18 FSAG125X
Typ	Batteridrevne vinkelslip	Batteridrevne vinkelslip
Produktionsnummer	4830 49 01 XXXXXX MJJJ	4830 56 01 XXXXXX MJJJ
Batterispänning	18 V	18 V
Märkvarvtal	8500 min <sup>-1</sup>	8500 min <sup>-1</sup>
Spindelgänga	M14	M14
D=Slipskivor-Ø max.	115 mm	125 mm
d=Ø hål	22,2 mm	22,2
	b=Slipskivstjocklek max.	6 mm
	b=Kapskivstjocklek max. / min.	3 mm / 1 mm
	D=Slipskivans diameter max.	115 mm
	D=Stålbörste Ø max.	75 mm
Vikt enligt EPTA 01/2014 (Li-Ion 2,0 Ah ... 12,0 Ah)	2,4 ... 3,4 kg	2,4 ... 3,5 kg
Rekommenderad omgivningstemperatur för driften	-18 ... +50 °C	
Rekommenderade batterier (Akkupacks)	M18B...; M18HB...	
Rekommenderade laddare	M12-18...; M1418C6	

**Bullerinformation:** Mätvärdena har tagits fram baserande på EN 60745. A-värdet av maskinens ljudnivå utgår:

Ljudtrycksnivå / Onoggrannhet K	82,7 dB(A) / 3 dB(A)	82,7 dB(A) / 3 dB(A)
Ljudeffektsnivå / Onoggrannhet K	93,7 dB(A) / 3 dB(A)	93,7 dB(A) / 3 dB(A)

### Använd hörselskydd!

**Vibrationsinformation:** Totala vibrationsvärden (vektorsumma ur tre riktningar) framtaget enligt EN 60745.

Vibrationsemissionsvärde a<sub>h</sub> / Onoggrannhet K

Ytslipning	4,8 m/s <sup>2</sup> / 1,5 m/s <sup>2</sup>	5,5 m/s <sup>2</sup> / 1,5 m/s <sup>2</sup>
Slipning med slipblad	1,1 m/s <sup>2</sup> / 1,5 m/s <sup>2</sup>	1,9 m/s <sup>2</sup> / 1,5 m/s <sup>2</sup>

Om man använder verktyget för andra ändamål, t ex för kappning eller slipning med stålbörste, kan man få andra vibrationsvärden!

## VARNING!

De deklarerade vibrations- och bullernivåerna på detta informationsblad har uppmätts i enlighet med en standardiserad testmetod enligt EN 60745 och kan användas för att jämföra ett verktyg med ett annat. Det kan användas för en preliminär bedömning av exponeringen.

Den angivna vibrations- och bullernivån representerar verktygets huvudsakliga tillämpningar. Om verktyget emellertid används för olika tillämpningar, med olika eller dåligt underhållna tillbehör, kan vibrations- och bullerutsläppet variera. Detta kan öka exponeringsnivån avsevärt över den totala arbetsperioden.

En uppskattning av exponeringsnivån för vibrationer och buller bör även ta hänsyn till de tider då verktyget är avstängt eller när det körs utan att faktiskt arbeta. Detta kan avsevärt minska exponeringsnivån över den totala arbetsperioden.

Identifiera ytterligare säkerhetsåtgärder för att skydda operatören mot effekterna av vibrationer och/eller buller såsom: underhåll av verktyget och tillbehören, hålla händerna varma, organisation av arbetsmönster.

**VARNING!** Läs alla säkerhetsanvisningar och andra tillhörande anvisningar. Fel som uppstår till följd av att anvisningarna nedan inte följs kan orsaka elstöt, brand och/eller allvarliga kroppsskador.

Förvara alla varningar och anvisningar för framtida bruk.

## SÄKERHETSINSTRUKTIONER FÖR VINKELSLIP

**Gemensamma säkerhetsanvisningar för slipning, sandpappersslipning, arbeten med stålbörste, polering och kapslipning:**

a) Elverket kan användas som slip-, slippappersslip-, stålbörste-, och kapslipmaskin. Beakta alla säkerhetsanvisningar, anvisningar, illustrationer och data som levereras med elverket. Om nedanstående anvisningar ignoreras finns risk för att elstöt, brand och/eller allvarliga personskador uppstår.

b) Den här maskinen är inte avsedd för polering. Tillämpningar som maskinen inte är avsedd för kan förorsaka faror och personskador.

c) Använd inte tillbehör som tillverkaren inte uttryckligen godkännt och rekommenderat för detta elverktyg. Även om tillbehör kan fästas på elverktyget finns det ingen garanti för en säker användning.

d) Det tillåtna varvtal för insatsverktyget måste minst vara så högt som angivet högsta varvtal på elektroverktyget. Tillbehör som roterar snabbare än tillåtet, kan gå sönder och flyga omkring.

e) Insatsverktygets yttre diameter och tjocklek måste motsvara elverktygets dimensioner. Feldimensionerade insatsverktyg kan inte på tryggande sätt avskäras och kontrolleras.



f) Gången på respektive tillbehör ska stämma överens med gången på slippindeln. Hos tillbehör som flänsas på ska borrhålet för spännstiftet på respektive tillbehör stämma överens med lokaliseringsflänsens diameter. Tillbehör som inte passar på verktygets montagestift har en excentrisk rörelse, vibrerar mycket kraftigt och kan leda till att man förlorar kontrollen över verktyget.

g) Använd aldrig skadade insatsverktyg. Kontrollera före varje användning insatsverktyget som t. ex. slipskivor avseende splitterskador och sprickor, sliprondeller avseende sprickor repor eller kraftig nedslitning, stålborstar avseende lösa eller brustna trådar. Om elverktyget eller insatsverktyget skulle falla ned kontrollera om skada uppstått eller montera ett oskadat insatsverktyg. Du och andra personer i närheten ska efter kontroll och montering av insatsverktyg ställa er utanför insatsverktygets rotationsradie och sedan låta elverktyget rotera en minut med högsta varvtal. Skadade insatsverktyg går i de flesta fall sönder vid denna provkörning.

h) Använd personlig skyddsutrustning. Använd alltefter avsett arbete ansiktsskärm, ögonskydd eller skyddsglasögon. Om så behövs, använd dammfiltermask, hörselskydd, skyddshandskar eller skyddsförkläde som skyddar mot små utslungade slip- och materialpartiklar. Ögonen ska skyddas mot utslungade främmande partiklar som kan uppstå under arbetet. Damm- och andningsskydd måste kunna filtrera bort det damm som eventuellt uppstår under arbetet. Risk finns för hörselskada under en längre tids kraftigt buller.

i) Se till att obehöriga personer hålls på trygghetsavstånd från arbetsområdet. Alla som rör sig inom arbetsområdet måste använda personlig skyddsutrustning. Brottstycken från arbetsstycket eller insatsverktygen kan slungas ut och orsaka personskada även utanför arbetsområdet.

j) Håll fast apparaten med hjälp av de isolerade greppytorna när du utför arbeten där arbetsverktyget skulle kunna träffa på dolda elledningar. Om man kommer i kontakt med en spänningsförande ledning, så kan även de delar på verktyget som är av metall bli spänningsförande och leda till att man får en elektrisk stöt.

k) Lagg aldrig ifrån dig elverktyget förrän insatsverktyget är helt stillastående. Det roterande insatsverktyget kan komma i beröring med underlaget varvid risk finns för att du förlorar kontrollen över verktyget.

l) Elverktyget får inte rotera när det bärs. Kläder kan vid tillfällig kontakt med det roterande insatsverktyget dras in varvid insatsverktyget dras mot din kropp.

m) Rengör regelbundet elverktygets ventilationsöppningar. Motorfläkten drar in damm i huset och en kraftig anhopning av metalldamm kan orsaka farliga elströmmar.

n) Använd inte elverktyget i närheten av brännbara material. Risk finns för att gnistor antänder materialet.

o) Använd inte insatsverktyg som kräver flytande kylmedel. Vatten eller andra kylvätskor kan medföra elstöt.

#### Varning för bakslag

Ett bakslag är en plötslig reaktion hos insatsverktyget när t. ex. slipskivan, sliprondellen, stålborsten hakar upp sig eller blockerar. Detta leder till abrupt uppbromsning av det roterande insatsverktyget. Härvid accelererar ett okontrollerat elverktyg mot insatsverktygets rotationsriktning vid inklämningsstället.

Om t. ex. en slipskiva hakar upp sig eller blockerar i arbetsstycket kan slipskivans kant i arbetsstycket klämmas fast varvid slipskivan bryts sönder eller orsakar bakslag. Slipskivan rör sig nu mot eller bort från användaren beroende på skivans rotationsriktning vid inklämningsstället. Härvid kan slivskivor även brista.

Bakslag uppstår till följd av missbruk eller felaktig hantering av elverktyget. Detta kan undvikas genom skyddsåtgärder som beskrivs nedan.

a) Håll stadigt i elverktyget samt kroppen och armarna i ett läge som är lämpligt för att motstå bakslagskrafter. Använd alltid stödhandtaget för bästa möjliga kontroll av bakslagskrafter och reaktionsmoment vid start. Användaren kan genom lämpliga försiktighetsåtgärder bättre behärska bakslags- och reaktionskrafterna.

b) Håll alltid handen på trygghetsavstånd från det roterande insatsverktyget. Tillbehör kan ge bakslag över din hand.

c) Undvik att hålla kroppen inom det område elverktyget vid ett bakslag rör sig. Bakslaget kommer att driva elverktyget i motsatt riktning till slipskivans rörelse vid inklämningsstället.

d) Var särskilt försiktig vid bearbetning av hörn, skarpa kanter osv. Håll emot så att insatsverktyget inte studsar ut från arbetsstycket eller kommer i kläm. På hörn, skarpa kanter eller vid studsning tenderar det roterande insatsverktyget att komma i kläm. Detta kan leda till att kontrollen förloras eller att bakslag uppstår.

e) Använd inte kedje- eller tandat sågblad. Sådana insatsverktyg orsakar ofta bakslag eller gör att du förlorar kontrollen över elverktyget.

#### Speciella varningar för slipning och kapslipning

a) Använd endast slippkroppar som godkännts för aktuell elverktyg och de sprängskydd som är avsedda för dessa slippkroppar. Slippkroppar som inte är avsedda för aktuell tryckluftverktyg kan inte på trygghetsavstånd skyddas och är därför farliga.

b) Vinkelböjda slipskivor ska monteras så, att deras slipyta inte står ut över skyddskåpens kant. En felaktigt monterad slipskiva som står ut över skyddskåpens kant kan inte skämmas av på tillfredsställande sätt.

c) Använd alltid det sprängskydd som är avsett för aktuell slippkropp. Sprängskyddet måste monteras ordentligt på tryckluftverktyget och vara infäst så att högsta möjliga säkerhet uppnås, dvs den del av slippkroppen som är vämd mot användaren måste vara skyddad. Skyddsanordningen hjälper att skydda operatören mot splitter från en trasig skiva, oavsiktlig kontakt med skivan och gnistor som kan sätta eld på kläder.

d) Slippkroppar får användas endast för rekommenderade arbeten. T. ex.: Slipa aldrig med kapskivans sidoyta. Kapskivor är avsedda för materialavverkning med skivans kant. Om tryck från sidan utövas mot slippkroppen kan den spricka.

e) För vald slipskiva ska alltid oskadade spännflänsar i korrekt storlek och form användas. Lämpliga flänsar stöder slipskivan och reducerar sålunda risken för slivskivabrott. Flänsar för kapskivor och andra slipskivor kan ha olika utseende och form.

f) Använd inte nedslitna slipskivor från större elverktyg. Slipskivor för större elverktyg är inte konstruerade för de mindre elverktygens högre varvtal och kan därför spricka.

#### Andra speciella säkerhetsanvisningar för kapslipning

a) Se till att kapskivan inte kommer i kläm och att den inte utsätts för högt mottryck. Försök inte skära för djupt. Om kapskivan överbelastas ökar dess påfrestning och risk finns för att den snedvrids eller blockerar som sedan kan resultera i bakslag eller slippkroppsbrott.

b) Undvik området framför och bakom den roterande kapskivan. Om du rör kapskivan i arbetsstycket bort från kroppen kan i händelse av ett bakslag elverktyget med roterande skiva slungas mot din kropp.

c) Om kapskivan kommer i kläm eller arbetet avbryts, koppla från elverktyget och håll det lugnt tills skivan stannat fullständigt. Försök aldrig dra ut en roterande kapskiva ur skärspåret då detta kan leda till bakslag. Lokalisera och åtgärda orsaken för inklämning.

d) Koppla inte åter på elverktyget om det sitter i arbetsstycket. Låt kapskivan öppna fullt varvtal innan den försiktigt förs in i skärspåret för fortsatt kapning. I annat fall kan skivan haka upp sig, hoppa ur arbetsstycket eller orsaka bakslag.

e) För att reducera risken för ett bakslag till följd av inklämd kapskiva ska skivor och andra stora arbetsstycken stödas. Stora arbetsstycken kan böjas ut till följd av hög egenvikt. Arbetsstycket måste därför stödas på båda sidorna både i närheten av skärspåret och vid kanten.

f) Var alltid extra försiktig om du „skär ut“ något i en vägg eller på andra ställen som du inte direkt kan se. Där risk finns att kapskivan kommer i kontakt med gas- eller vattenledningar, elledningar eller andra föremål som kan orsaka bakslag.

Speciella säkerhetsanvisningar för sandpappersslipning:

a) Använd inte för stora slippapper, se tillverkarens uppgifter om slippapperets storlek. Slippapper som står ut över sliprondellen kan leda till personskada, blockera, rivas sönder eller också orsaka bakslag.

#### Speciella säkerhetsanvisningar för arbeten med trädborstar:

a) Observera att en metallborste förlorar små metallbitar även vid normal användning. Överbelasta aldrig en metallborste genom att trycka den kraftigt mot materialet som ska bearbetas. Små metallbitar som går av kan lätt tränga genom tunna kläder och/eller huden.

b) När sprängskydd används bör man se till att sprängskyddet och trädborsten inte berör varandra. Tallriks- och koppborstarnas diameter kan till följd av anläggningstryck och centrifugalkrafter öka.

#### ÖVRIGA SÄKERHETS- OCH ANVÄNDNINGSPÅTÄLLNINGAR

Kontrollera alltid att spindelläsknappen är helt frigjord innan du slår på verktyget! När du har använt spindelläset för att dra åt/lossa slipskivan, är det möjligt att knappen fastnar i läst läge.

Vid slipning av metall uppstår gnistor. Se till att personer inte skadas. Pga brandrisken får inga brännbara material finnas i närheten (inom gnistområdet). Använd inte dammsugning!

Förhindra att du kommer i kontakt med gnistor och slippdamm.

Lakttag största försiktighet när maskinen är igång.

Avlägsna aldrig spån eller flisor när maskinen är igång.

Frånkoppla maskinen omedelbart om kraftiga vibrationer uppstår eller andra defektfunktioner registreras. Kontrollera maskinen för lokalisering av orsak.

Under extrema förhållanden (till exempel slätslipning av metall med stödrondell och slipskiva av vulkanfiber) kan starka föroreningar uppstå på vinkelslipens insida.

OBS! Undvik att metalldelar hamnar i luftsliitsarna - risk för kortslutning!

WARNING! Risk att bränna sig! Skivan och arbetsstycket blir heta under användningen. Använd handskar när du byter skivor eller vidrör arbetsstycket. Håll alltid händerna borta från slippområdet.

WARNING! För att undvika den fara för brand, personskador eller produktskador som orsakas av en kortslutning, doppa inte ner verktyget, utbytesbatteriet eller laddaren i vätskor och se till att ingen vätska kan tränga in i apparaterna eller batterierna. Korroderande eller ledande vätskor, som saltvatten, vissa kemikalier, blekningsmedel eller produkter som innehåller blekmedel, kan orsaka en kortslutning.

Batterier lagras torrt och skyddas för fukt.

System M18 batterier laddas endast i System M18 laddare. Ladda inte batterier från andra system.

#### ANVÄND MASKINEN ENLIGT ANVISNINGARNA

Vinkelslipen är avsedd för slipning och kapning av metall, sten, betong och keramiska material samt för sandpappersslipning och stålborstning.

Använd skyddslocket för kapning ur tillbehörsprogrammet.

Följ vidtveksamma fall anvisningarna från tillverkaren av tillbehöret.

Detta elverktyg ska endast användas för torr bearbetning.

Endast lämpliga slip- eller kapskivor och tillhörande skyddsanordningar (slipskydd eller kapskydd) enligt beskrivningen i avsnittet för produktspecifikation i den här bruksanvisningen får monteras på den här vinkelslipen. Vinkelslipen är konstruerad för handhållen användning. Den får inte monteras på någon fastspänningsanordning eller arbetsbänk.

Använd inte produkten på något annat sätt än vad som anges som avsedd användning.

#### KVARSTÅENDE RISKER

Även vid föreskriftsenlig användning kan inte alla restriktioner uteslutas. Vid användning kan följande faror, på vilka användaren måste vara särskilt uppmärksam:

• Personskador orsakade av vibration. Håll fast maskinen i de därför

avsedda handtagen och begränsa arbets- och exponeringstiden.

- Bullerbelastning kan leda till hörselskador. Bär hörselskydd och begränsa exponeringstiden.
- Ögonskador orsakade av smutspartiklar. Använd alltid skyddsglasögon, stabila långbyxor, handskar och stabila skor.
- Inandning av giftigt damm.

#### ANVISNINGAR AVSEENDE LITIJONBATTERIER

##### Användning av litiumjonbatterier

Batteri som ej använts på länge måste laddas före nytt bruk.

En temperatur över 50°C reducerar batteriets effekt. Undvik längre uppvärmning tex i solen eller nära ett element.

Se till att anslutningskontaktarna i laddaren och på batteriet är rena.

För att batterierna ska få lång livslängd ska de laddas fulla efter användning.

För att få en så lång livslängd som möjligt bör laddningsbara batterier avlägsnas från laddaren när de är laddade.

Om laddningsbara batterier lagras längre än 30 dagar:

Lagra batteriet torrt och vid ca 27°C.

Lagra batteriet vid ca 30%-50% av laddningskapaciteten.

Ladda batterierna på nytt var 6:e månad.

##### Batteri-överbelastningsskydd för litiumjonbatterier

Om det laddningsbara batteriet överbelastas genom en mycket hög strömförbrukning, t.ex. extremt höga vridmoment, ett plötsligt stopp eller en kortslutning, så vibrerar elverktyget i 5 sekunder, laddningsindikeringen blinkar och elverktyget frånkopplas automatiskt.

För att sedan sätta på elverktyget igen släpper du tryckbrytaren och tillkopplar sedan verktyget igen. Vid en extrem belastning blir det laddningsbara batteriet för varmt. I detta fall blinkar alla lampor på laddningsindikeringen så länge tills batteriet har svalnat. När laddningsindikeringen har slocknat kan du fortsätta med arbetet.

##### Transportera litiumjon-batterier

För litiumjon-batterier gäller de lagliga föreskrifterna för transport av farligt gods på väg.

Därför får dessa batterier endast transporteras enligt gällande lokala, nationella och internationella föreskrifter och bestämmelser.

Konsumenter får transportera dessa batterier på allmän väg utan att behöva beakta särskilda föreskrifter.

För kommersiell transport av litiumjon-batterier genom en speditiönsfirma gäller emellertid bestämmelserna för transport av farligt gods på väg. Endast personal som känner till alla tillämpliga föreskrifter och bestämmelser får förbereda och genomföra transporten. Hela processen ska följas upp på fackmässigt sätt.

Följande ska beaktas i samband med transporten av batterier:

Säkerställ att alla kontakter är skyddade och isolerade för att undvika kortslutning.

Se till att batteripacken inte kan glida fram och tillbaka i förpackningen. Transportera aldrig batterier som läcker, har runnit ut eller är skadade. För mer information vänligen kontakta din speditiönsfirma.



## ARBETSANVISNINGAR

### Skydd mot överbelastning och bakslag

Verktyget har en overload- och anti kickback-funktion och stannar vid överbelastning. Stäng av elverktyget, och slå sedan på elverktyget igen för att fortsätta arbeta.

### Mjukstart

Mjukstart för säker hantering, inget ryck vid uppstart av maskinen.

För verktyg avsedda att förses med skivor med gängat hål, bör man kontrollera att skivans gängning är tillräckligt lång att hantera spindelns

Använd och förvara alltid kap- och slipskivorna enligt tillverkarens anvisningar.

Använd alltid skyddskåpa vid slipning och kapning.

Vinkelböjda slipskivor ska monteras så, att deras slipyta inte står ut över skyddskåpans kant.

Flämsmuttern skall vara åtdragen innan start av maskinen.

Använd alltid stödhandtag.

Spänn fast arbetsstycket om det inte ligger stadigt till följd av egen vikt. För aldrig arbetsstycket för hand mot slipskivan.

Se till att flämsmuttern är ordentligt åtdragen innan du tar maskinen i drift. Om insatsverktyget inte är ordentligt åtdraget med flämsmuttern finns risk att insatsverktyget vid inbromsning förlorar den spännkraft som krävs.

## TVÄTTTRÄD

Se till att motorhöljets luftslitsar är rena.

## SKÖTSEL

Använd endast Milwaukee-tillbehör och Milwaukee-reservdelar. Komponenter, för vilka inget byte beskrivs, skall bytas ut hos Milwaukee-kundtjänst (se broschyren garanti-/kundtjänstadresser).

Vid behov av sprängskiss, kan en sådan, genom att uppge maskinens art. nr. (som finns på typskylten) erhållas från: Techtronic Industries GmbH, Max-Eyth-Strasse 10, 71364 Winnenden, Germany.

## SYMBOLER

	Läs instruktionen noga innan du startar maskinen.
	OBSERVERA! VARNING! FARA!
	Drag ur batteripaket innan arbete utföres på maskinen.
	Använd inte skyddet för kapning.
	Använd ingen kraft.
	Använd kraft.
	Använd alltid skyddsglasögon.

	Bär hörselskydd.
	Bär därför lämplig skyddsmask.
	Bär skyddshandskar!
	Arbeta alltid med båda händerna.
	Endast för slipning.
	Endast för kapning.
	Beakta den tillåtna tjockleken på skivor.
	Tillbehör - Ingår ej i leveransomfånget, erhålles som tillbehör.
	Elektriska maskiner och elverktyg som kasseras får inte slängas tillsammans med de vanliga hushålls-soporna. Elektriska maskiner och verktyg samt elektronisk utrustning som kasseras ska samlas separat och lämnas till en avfallsstation för miljövänlig avfallshantering. Kontakta den lokala myndigheten respektive kommunen eller fråga återförsäljare var det finns speciella avfallsstationer för elskrot.
	Märkvarvtal
	Spänning
	Likström
	Europeiskt konformitetsmärke
	Britiskt konformitetsmärke
	Ukrainskt konformitetsmärke
	001
	Euroasiatiskt konformitetsmärke

## TEKNISET ARVOT

	M18 FSAG115X	M18 FSAG125X
Tyyp	Akkukulmahiomakone	Akkukulmahiomakone
Tuotantonumero	4830 49 01 XXXXXX MJJJ	4830 56 01 XXXXXX MJJJ
Jännite vaihtoakku	18 V	18 V
Nimellinen kierrosluku	8500 min <sup>-1</sup>	8500 min <sup>-1</sup>
Karan kierre	M14	M14
D=Hiomalaikan Ø maks.	115 mm	125 mm
d=porausreikä-ø	22,2 mm	22,2
	b=Hiomalaikan paksuus maks.	6 mm
	b=Katkaisulaikan paksuus maks. / min.	3 mm / 1 mm
	D=Hiomalaikan halkaisija maks.	115 mm
	D=Kuppiharjan ø maks.	75 mm
Paino EPTA-menettelyn 01/2014 mukaan (Li-Ion 2,0 Ah ... 12,0 Ah)	2,4 ... 3,4 kg	2,4 ... 3,5 kg
Suosittelun ympäristön lämpötila käytön aikana	-18 ... +50 °C	
Suosittelut akkusarjat	M18B...; M18HB...	
Suosittelut latauslaitteet	M12-18...; M1418C6	

**Melunpäästö tiedot:** Mitta-arvot määritetty EN 60745 mukaan. Koneen tyyppilinen A-luokitettu melutaso:

Melutaso / Epävarmuus K	82,7 dB(A) / 3 dB(A)	82,7 dB(A) / 3 dB(A)
Äänenvoimakkuus / Epävarmuus K	93,7 dB(A) / 3 dB(A)	93,7 dB(A) / 3 dB(A)

### Käytä kuulosuojaimia!

**Tärinä tiedot:** Värähtelyn yhteisarvot (kolmen suunnan vektorisummitattuna EN 60745 mukaan.

Värähtelyemissioarvo a<sub>n</sub> / Epävarmuus K

Pintahionta	4,8 m/s <sup>2</sup> / 1,5 m/s <sup>2</sup>	5,5 m/s <sup>2</sup> / 1,5 m/s <sup>2</sup>
Hionta hiomapaperilla	1,1 m/s <sup>2</sup> / 1,5 m/s <sup>2</sup>	1,9 m/s <sup>2</sup> / 1,5 m/s <sup>2</sup>

Muilla käyttötaivoilla, esim. katkaisussa tai teräslankaharjalla hiottaessa, saattaa esiintyä muunlaisia tärinäarvoja!

## VAROITUS!

Tässä tiedotteessa ilmoitettu (ilmoitetut) tärinä- ja melupäästöarvo(t) on mitattu standardisoidulla testimenetelmällä SFS-EN 60745 mukaisesti ja sitä voidaan käyttää työkalun vertailumiseen toisen työkalun kanssa. Sitä voidaan käyttää alustavaan alitistuksen arviointiin. Ilmoitettu tärinä- ja melupäästöarvo koskee työkalun pääkäyttötarkoituksia. Jos kuitenkin työkalua käytetään eri käyttötarkoituksiin eri varusteiden kanssa tai huonosti huollettuna, voi tärinä- ja melupäästö erota ilmoitetusta. Tämä voi merkittävästi nostaa altistumistasoa koko työskentelyjakson ajaksi.

Arvioidussa tärinä- ja meluallistustasossa tulisi ottaa huomioon myös työkalun sammutuskerrat tai sen tyhjäkäynti. Tämä voi merkittävästi laskea altistumistasoa koko työskentelyjakson ajaksi.

Tunnista esimerkiksi seuraavat lisävarotoimet, joilla voidaan suojata käyttäjää tärinän ja/tai melun vaikutuksilta: työkalun ja varusteiden ylläpito, käsien lämpimänä pito, työnkulun organisointi.

**VAROITUS!** Lue kaikki, myös annetut turvallisuusmääräykset ja käyttöohjeet. Turvallisuusohjeiden noudattamisen laiminlyönti saattaa johtaa sähköiskuun, tulipaloon ja/tai vakavaan loukkaantumiseen.

Säilytä kaikki turvallisuus- ja muut ohjeet tulevaisuutta varten.

## KULMAHIOMAKONEEN TURVALLISUUSMÄÄRÄYKSET

**Yhteiset turvallisuusohjeet hiomista, hiekkapaperihiomista, työskentelyä teräsharjan kanssa, kiillotusta ja katkaisuhi-ontaa varten:**

a) Tätä sähkötyökalua tulee käyttää hiomakoneena, hiekkapaperihiomakoneena, teräsharja- ja katkaisuhiomakoneena. Ota huomioon kaikki varoohjeet, ohjeet, piirustukset ja tiedot, joita saat sähkötyökalun kanssa. Ellet noudata seuraavia ohjeita, saattaa se johtaa sähköiskuun, tulipaloon ja/tai vaikeisiin loukkaantumisiin.

b) Tämä sähkötyökalu ei sovellu kiillottamiseen. Sellainen käyttö, jota varten sähkötyökalua ei ole tehty, saattaa aiheuttaa vaaratilanteita ja vammoja.

c) Älä käytä mitään lisälaitteita, joita ei valmistaja ole tarkoitannut tai suositellut nimenomaan tälle sähkötyökalulle. Vain se, että pystyt kiinnittämään laitetta sähkötyökaluun ei takaa sen turvallista käyttöä.

d) Käyttötyökalun sallitun kierrosluvun täytyy olla vähintään yhtä korkea kuin sähkötyökalulla ilmoitettu korkein kierrosluku. Salliittua nopeammin pyörivät lisävarusteet voivat rikkoutua ja lentää ympäriinsä.

e) Vaihdotyökalun ulkohalkaisijan ja paksuuden tulee vastata sähkötyökalun mittatietoja. Väärin mitoitettuja vaihtotyökaluja ei voida suojata tai hallita riittävästi.

f) Lisävarusteiden kierteiden täytyy sopia hiomakaran kier-teisiin. Jos varusteet liitetään laipan avulla, niin varusteen kiinnitystuurnan porareian läpimitan tulee olla sama kuin kiinnityslaipan läpimita. Jos varusteet eivät sovi laitteen asen-nusturnaun, niin ne pyörivät epäkeskisesti, tärkevät liian voimak-kaasti ja saattavat aiheuttaa laitteen hallinnan menettämisen.

g) Älä käytä vaurioituneita vaihtotyökaluja. Tarkista ennen jokaista käyttöä, ettei vaihtotyökalussa, kuten hiomalaikoissa ole pirstoutumia tai halkemia, hiomalautasessa halkeamia tai voimakasta kulumista, teräsharjassa irtanaisia tai katkenneita lankoja. Jos sähkötyökalu tai vaihtotyökalu putoaa, tulee tarkistaa, että se on kunnossa tai sitten käyttää ehjää vaihtotyö-ökalua. Kun olet tarkistanut ja asentanut vaihtotyökalun, pidä itsesi ja lähistöllä olevat henkilöt loitolla pyörivän vaihtotyö-ökalun tasosta ja anna sähkötyökalun käydä minuutti täydellä kierrosluvulla. Vaurioituneet vaihtotyökalut menevät yleensä rikki tässä ajassa.

h) Käytä henkilökohtaisia suojavarusteita. Käytä käytöstä riippuen kokokasvonaamiota, silmäsuojusta tai suojalaseja. Jos mahdollista, käytä pölynaamaria, kuulonsuojainta, suo-jakäsineitä tai erikoissuojavaateita, joka suojaa sinut pieniltä hioma- ja materiaalihiukkasilta. Silmät tulee suojata lenteleviltä vierailta esineiltä, jotka saattavat syntyä erilaisessa käytössä. Pöly- tai hengityssuojanaamareiden täytyy suodattaa pois työstössä syntyvä pöly. Jos olet pitkään alttiina voimakkaalle melulle, saattaa se vaikuttaa heikentävästi kuuloon.

i) Varmista, että muut henkilöt pysyvät turvallisella etäisyy-dellä työalueelta. Jokaisella, joka tulee työalueelle, tulee olla henkilökohtaiset suojavarusteet. Työkappaleen tai murtuneen vaihtotyökalun osia saattavat sinkoutua kauemmas ja vahingoittaa ihmisiä myös varsinaisen työalueen ulkopuolella.

j) Pitele laitetta vain eristetystä tarttumapinnosta, kun suori-tat sellaisia töitä, joissa leikkaustyökalu saattaa osua piilossa oleviin sähköjohtoihin. Leikkaustyökalun yhteys jännitteelliseen johtoon saattaa tehdä laitteen metalliset osat jännitteellisiksi ja aiheuttaa sähköiskun.

k) Älä koskaan laske sähkötyökalua pois, ennen kuin käyttotyö-ökalu on pysähtynyt täydellisesti. Pyörivä vaihtotyökalu saattaa koskettaa leppäntä ja voit menettää sähkötyökalusi hallinnan.

l) Älä koskaan pidä sähkötyökalua käynnissä sitä kantaessasi. Vaatteesi voi hetkellisen kosketuksen seurauksena tarttua kiinni pyörivään vaihtotyökaluun, joka saattaa porautua kehoosi.

m) Puhdista sähkötyökalusi tuuletusaukot säännöllisesti. Moottorin tuuletin imee pölyä työkalun koteloon, ja voimakas metal-lipölyn kasautuma voi synnyttää sähköisiä vaaratilanteita.

n) Älä käytä sähkötyökalua palavien aineiden lähellä. Kipinat voivat sytyttää näitä aineita.

o) Älä käytä vaihtotyökaluja, jotka tarvitsevat nestemäistä jäähdytysainetta. Veden tai muiden nestemäisten jäähdytysaineiden käyttö saattaa johtaa sähköiskuun.

## Takaisku ja vastaavat varo-ohjeet

Takaisku on äkillinen reaktio, joka syntyy pyörivän vaihtotyökalun, kuten hiomalaikan, hiomalautasen tai teräsharjan tarttuessa kiinni tai jäädessä puristukseen. Tarttuminen tai puristukseen joutu-minen johtaa pyörivän vaihtotyökalun äkilliseen pysähtymiseen. Tällöin hallitsematon sähkötyökalu sinkoutuu tarttumakohdasta vaihtotyökalun kiertosuunnasta vastakkaiseen suuntaan.

Jos esim. hiomalaikka tarttuu tai joutuu puristukseen työkappa-leeseen, saattaa hiomalaikan reuna, joka on uponnut työkappa-leeseen, juuttua kiinni aiheuttaen hiomalaikan ponnahduksen ulos työkappaleesta tai aiheuttaa takaiskun. Hiomalaikka liikkuu silloin käyttävää henkilöä vasten tai pois päin hänestä, riippuen laikan kiertosuunnasta tarttumakohdassa. Tällöin hiomalaikka voi myös murtua.

Takaisku johtuu sähkötyökalun väärinkäytöstä tai käytöstä väärään tarkoitukseen. Se voidaan estää sopivin varotoimin, joita selos-tetaan seuraavassa.

a) Pitele sähkötyökalua tukevasti ja saata kehosi ja käsivar-tesi asentoon, jossa pystyt vastaamaan takaiskuvoimiin. Käytä aina lisäkävää, jos sinulla on sellainen, jotta pystyisit parhaalla mahdollisella tavalla hallitsemaan takaiskuvoimia tai vastamomentteja työkalun rynnäköinnissä. Käyttävä henkilö pystyy hallitsemaan takaisku ja vastamomenttivoimat noudattamalla sopivia suojatoimenpiteitä.

b) Älä koskaan tuo kättäsi lähelle pyörivää vaihtotyökalua. Leikkurin takaisku voi kohdistua käteesi.

c) Vältä pitämästä kehoasi alueella, johon sähkötyökalu liikkuu takaiskun sattuessa. Takaisku pakottaa sähkötyöka-lun vastakkaiseen suuntaan hiomalaikan liikkeeseen nähden tarttumiskohdassa.

d) Työkentele erityisen varovasti kulmien, terävien reunojen jne. alueella, estä vaihtotyökalua ponnahtamasta takaisin työkappaleesta ja juuttumasta kiinni. Pyörivällä vaihtotyöka-lulla on taipumus juuttua kiinni kulmissa, terävissä reunoissa tai saadessaan kimmokkeen. Tämä johtaa hallinnan pettämiseen tai takaiskuun.

e) Älä käytä ketjusahan tai hammastettua sahan terää. Sellaiset käyttötyökalut aiheuttavat usein takaiskun tai sähkötyökalun hal-linnan menettämisen.

## Erityiset varoohjeet hiontaan ja katkaisuhiontaan

a) Käytä yksinomaan sähkötyökalullesi sallittuja hiomatyö-ökaluja ja näitä hiomatyökaluja varten tarkoitettuja suojuksia. Hiomatyökaluja, jotka eivät ole tarkoitettuja sähkötyökalun kanssa käytettäväksi ei voida suojata riittävästi ja ne ovat turvattomia.

b) Taivutetut hiomalaikat täytyy asentaa niin, ettei niiden hiomapinta ulotu suojujakuun reunatason ulkopuolelle. Virheellisesti asennettua hiomalaikkaa, joka ulottuu suojujakuun reunatason ulkopuolelle, ei voida suojata riittävästi hyvin.

c) Käytä aina suojusta, joka on tarkoitettu käytettävälle hiomatyökalulle. Suojuksen täytyy olla tukevasti kiinni sähkötyökalussa ja niin asennettu, että suurin mahdollinen turvallisuus saavutetaan. Hiomatyökalun tulee siis olla mahdollisimman vähän avoin käyttäjää kohti. Suojus suojaa käyttäjää rikkoutuneen laikan pirstaleilta, tahattomalla kosketuk-siin joutumiselta laikan kanssa ja kipinöiltä, jotka voivat sytyttää vaatetuksen.

d) Hiomatyökaluja saa käyttää ainoastaan siihen käyttöön mihin niitä suositellaan. Esim.: Älä koskaan hio hiomalaikan sivupintaa käyttäen. Hiomalaikat on tarkoitettu hiontaan laikan ulkokehällä. Sivuttain kohdistuva voima saattaa murtaa hiomalaikan.

e) Käytä aina virheetöntä, oikean kokoista ja muotoista kiin-nityslaippaa valitsemallesi hiomalaikalle. Sopivat laipat tukevat hiomalaikkaa ja vähentävät näin hiomalaikan murtumisriskiä. Katkai-sulaikkojen laipat saattavat poiketa muitten hiomalaikkojen laipoista.

f) Älä käytä isompiin sähkötyökaluihin kuuluneita kuluneita hiomalaikkoja. Suurempien sähkötyökalujen hiomalaikat eivät sovellu pienempien sähkötyökalujen suuremmille kierrosluvuille, ja ne voivat murtua.

## Muita katkaisuhiontaan liittyviä erityisvaro-ohjeita

a) Vältä katkaisulaikan juuttumista kiinni ja liian suurta syöttöpainetta. Älä tee liian syviä leikkauksia. Katkaisulaikan yli-kuormitus kasvattaa sen rasitusta ja sen alttiutta kallistua tai juuttua kiinni ja siten takaiskun ja laikan murtumisen mahdollisuutta.

b) Vältä aluetta pyörivän katkaisulaikan edessä ja takana. Jos katkaisulaikka liikkuu työkappaleessa sinusta pois päin, saattaa sähkötyökalu takaiskun sattuessa singota suoraan sinua kohti pyörivällä laikalla.

c) Jos katkaisulaikka joutuu puristukseen tai keskeytät työn, tulee sinun pysäyttää sähkötyökalu ja pitää se rauhallisesti paikollaan, kunnes laikka on pysähtynyt. Älä koskaan koeta poistaa vielä pyörivää katkaisulaikkaa leikkauksesta, se saattaa aiheuttaa takaiskun. Määrittele ja poista puristukseen joutumisen syy.

d) Älä käynnistä sähkötyökalua uudelleen, jos laikka on kiinni työkappaleessa. Anna katkaisulaikan ensin saavuttaa täysi kierroslukunsa, ennen kuin varovasta jatkat leikkausta. Muussa tapauksessa saattaa laikka tarttua kiinni, ponnahtaa ulos työkappa-leesta tai aiheuttaa takaiskun.

e) Tue liitettä tai isot työkappaleet, katkaisulaikan puristuksen aiheuttaman takaisuvaaran minimoimiseksi. Suuret työ-kappaleet voivat taipua oman painonsa takia. Työkappaleita tulee tukea molemmilta puolilta, sekä katkaisuleikkauksen vierestä, että runoista.

f) Ole erityisen varovainen tehdessäsi „taskuleikkauksia“ pystyssä oleviin seiniiin tai muihin alueisiin, joita et voi nähdä. Uppoava katkaisulaikka saattaa aiheuttaa takaiskun osuessaan kaasutai vesiputkiin, sähköjohtoihin tai muihin kohteisiin.

## Erityiset varoohjeet hiekkapaperihiontaan:

a) Älä käytä ylisuuria hiomapyöröjä, vaan noudata valmistajan ohjeita hiomapyöröjen koosta. Hiomapyörät jotka ulottuvat hiomalautasen ulkopuolelle, saattavat aiheuttaa loukkaantumista tai johtaa kiinnijoutumiseen, hiomapyörön repeytymiseen tai takaiskuun.

## Erityiset varo-ohjeet työskentelyyn teräsharjan kanssa:

a) Muista, että teräsharjasta irtotoilee langanpätkiä myös taval-lisen käytön aikana. Älä yllirasita teräslankoja liian voimakkaalla puristuksella. Poissinkoitet langanpalat voivat tunkeutua hyvin helposti ohuiden vaatteiden jat'ai ihon läpi.

b) Jos suojusta suositellaan, tulee sinun varmistaa, ettei suojuj ja teräsharja voi koskettaa toisiaan. Lautas- ja kuppihar-jojen halkaisijat voivat laajeta puristuspuoleen ja keskipakovoiman johdosta.

## TÄYDENTÄVIÄ TURVALLISUUSMÄÄRÄYKSIÄ JA TYÖSKENTELYOHJEITA

Tarkasta aina, että karan rajoitinnappi on täysin vapautettu ennen työkalun käynnistämistä! On mahdollista, että karan rajoitinnappi jumittuu lukitusasentoon, kun karan rajoittimella on kiertetty/ löysytetty hiontalaiikkaa.

Metallien hionnassa syntyy kipinöintiä. Tarkista, ettei kenellekään aiheuteta vaaraa. Tulipalovaaran takia ei lähistöllä saa olla mitään palavia aineita (kipinäetäisyysdellä). Pölynpoistoa ei käytetä.

Vältä sinkoilevien kipinöiden ja hiomapölyn osumista kehoosi.

Älä tartu käynnistetyyn laitteeseen työskentelyalueelle.

Lastuja tai puria ei saa poistaa kenen kädestä.

Pysäytä laite välittömästi jos siinä esiintyy huomattavaa värähtelyä tai huomaat muuta puutetta. Tarkista kone vian aiheuttajan määrittelemiseksi.

Viihauskoneen sisälle voi kertyä merkittävää saastumista ääriolosuhteissa (esim. tasaisesti hiottaessa metalleja vulkanisoitua kuitua olevan hiomalaikan kanssa).

Älä päästä metalliesineitä tuuletusaukkoihin - oikosulkuvaara

VAROITUS! Palovamman vaara! Laikka ja työkappale kuumentuvat käytössä. Käytä käsineitä vaihtaessasi laikkoja tai koskettaessasi työkappaleita. Pidä kädet aina loitolla hioittavasta alueesta.

VAROITUS! Jotta vältetään lyhytsuolun aiheuttama tulipalon, loukkaantumisen tai tuotteen vahingoittumisen vaara, älä koskaan upota työkalua, vaihtokakua tai latauslaitetta nesteeseen ja huolehdi siitä, ettei mitään nesteitä pääse tunkeutumaan laitteiden tai akkujen sisään. Sövyttävät tai sähköä johtavat nesteet, kuten suolavesi, tietyt kemikaalit ja lalkaisuaineet tai valkaisuaineita sisältävät tuotteet voivat aiheuttaa lyhytsuolun.

Vaihtokakua ja latauslaitteita ei saa avata. Säilytys vain kuivissa tiloissa. Suojattava kosteudelta.

Käytä ainoastaan System M18 latauslaitetta System M18 akkujen lataukseen. Älä käytä muiden järjestelmien akkuja.

## TARKOITUKSENMUKAINEN KÄYTTÖ

Kulmahiomakone on tarkoitettu metallin, kiven, betonin ja keraamisten materiaalien karkeaan hionmiseen ja leikkaamiseen sekä hienoon hionmiseen ja teräsharjaukseen.

Käytä lisävarustevalikoiman leikkaussuojusta leikkaustarkoituksiin.

Epäselvissä tapauksissa noudata lisävarusteiden valmistajienantamia ohjeita.

Konetta saa käyttää ainoastaan kuivatyöskentelyyn.

Kulmahiomakoneesta tulisi käyttää ainoastaan asianmukaisia,

tämän ohjeen tuote-erittelyyn kuvauksen mukaisia hioma- tai leikkauslaikkoja ja niihin kuuluvia suojuksia (hionta- tai leikkuusuojus). Kulmahiomakone on tarkoitettu käsin pidettäväksi, eikä sitä tule asentaa armatuuriin tai työpyötyään.

Älä käytä tuotetta muuhun kuin sille tarkoitettuun käyttöön.

## JÄÄMÄRISKIT

Kaikkia jäämäriskejä ei voida sulkea pois myöskään määräysten mukaisen käytön aikana. Käytössä saattaa syntyä seuraavia vaaroja, joita käyttäjän tulisi varoa erityisen huolella:

- Tärinän aiheuttamat vammat. Pitele laitetta tähän tarkoitetuista kahvoista ja rajoita työskentely- ja altistumisaikasi.
- Melurasisus saattaa aiheuttaa kuulovaurioita. Käytä kuulosuojaimia ja rajoita altistumisen kesto.
- Likahiuikkasten aiheuttamat silmävammat. Käytä aina suojalaseja, tukevia pitkälahkeisia housuja, käsineitä ja tukevia jalkineita.
- Myrkyllisten pölyjen sisäänhengittäminen.

## LI-IONIAKKujen OHJEITA

### Li-ioniakkujen käyttö

Pitkään käyttämättä olleet vaihtoakut on ladattava ennen käyttöä. Yli 50°C lämpötilassa akun suorituskyky heikkenee. Välttähän akkujen säilyttämistä auringossa tai kuumissa tiloissa.

Pidä aina latauslaitteen ja akun kosketinpinnat puhtaina.

Optimaalisen käyttöiän saavuttamiseksi akut on ladattava täyteen käytön jälkeen.

Mahdollisimman pitkän elinajan takaamiseksi akut tulee poistaa laturista lataamisen jälkeen.

Akkuja yli 30 päivää säilytettäessä:

Säilytä akku yli 27 °C:ssa ja kuivassa.

Säilytä akku sen latauksen ollessa 30 % - 50 %.

Lataa akku 6 kuukauden välein uudelleen.

### Li-ioniakkujen ylläpitämissuojat

Jos akku ylikuormittuu erittäin suuren virrankulutuksen takia, esim. erittäin voimakkaiden vääntömomenttien, äkillisen pysähtymisen tai oikosulun vuoksi, niin sähkötyökalu tärisee 5 sekunnin ajan, latausnäyttö vilkkuu ja sähkötyökalu sammuu omatoimisesti.

Käynnistä laite uudelleen päästämällä katkaisinpainikkeen irti ja käynnistämällä laitteen sitten uudelleen. Erittäin suuressa kuormituksessa akku kuumenee liikaa. Tässä tapauksessa latausnäytön kaikki lamput vilkuvat, kunnes akku on jäähtynyt. Kun latausnäyttö on sammunut, voi työtä jatkaa.

### Litiumi-ioniakkujen kuljettaminen

Litiumi-ioniakut kuuluvat vaarallisten aineiden kuljetuksesta annettujen lakien piiriin.

Näiden akkujen kuljettaminen täytyy suorittaa noudattaen paikallisia, kansallisia ja kansainvälisiä määräyksiä ja säädöksiä.

Kuluttajat saavat ilman muuta kuljettaa näitä akkuja teitä pitkin.

Kaupallisissa kuljetuksissa huolintaliikkeiden täytyy kuljettaa litiumi-ioniakkuja vaarallisten aineiden kuljetuksesta annettujen määräysten mukaisesti. Ainoastaan tähän vastaavasti koulutetut henkilöt saavat suorittaa kuljetuksen valmisteluvoimet ja itse kuljetuksen. Koko prosessia tulee valvoa asiantuntevasti.

Seuraavat kohdat tulee huomioida akkuja kuljetettaessa:

Varmista, että akkujen kontaktit on suojattu ja eristetty, jotta vältetään lyhytsuolun.

Huolehdi siitä, ettei akkusarja voi luiskahtaa paikaltaan pakkauksen sisällä. Vahingoittuneita tai vuotavia akkuja ei saa kuljettaa. Pyydä tarkemmat tiedot huolintaliikkeeltäsi.

## TYÖSKENTELYOHJEITA

### Ylikuormitus- ja takaiskusoja

Laite on varustettu ylikuormitusuojauksella ja takapotkunestotoiminnolla ja pysähtyy, jos sitä rasitetaan liikaa. Kytke sähkötyökalu pois päältä ja sitten takaisin päälle jatkaaksesi työskentelyä.

### Pehmeäkäynnistyksen

Elektronisen pehmeäkäynnistyksen vuoksi kone kiihtyy jatkuvasti kunnes ennalta valittu nopeus on saavutettu

Varmista sellaisissa työkaluissa, joihin on tarkoitus kiinnittää kiertaisreikäinen laikka, että laikan kierre on riittävän pitkä sopimaan karan pituuteen.

Käytä ja säilytä katkaisu- ja hiomalaikat aina valmistajan ohjeiden mukaan.

Rouhehionta- ja katkaisutyössä on aina käytettävä laikan suojakupua.

Taivutetut hiomalaikat täytyy asentaa niin, ettei niiden hiomapinta ulotu suojakuvun reunatason ulkopuolelle.

Laippamutterin on oltava kunnolla kiristetty ennen koneen käyttöönottoa.

Käytä aina lisäkädensijaa.

Työstettävä kappale on kiinnitettävä, ellei se omapainonsa vuoksi pysy paikallaan. Älä koskaan vie työkalua kädelläsi hiomalaikkaa vasten.

Laipan mutteri täytyy kiristää tiukkaan ennen koneen käyttöönottoa. Jos käytetty työkalua ei kiristetä tiukkaan laippamutterilla, on mahdollista, että työkalu menettää jarrutettaessa tarvittavan kiinnitystekon.

## PUHDISTUS

Pidä moottorin ilmanottoaukut puhtaina.



## HUOLTO

Käytä ainoastaan Milwaukee lisätarvikkeita ja Milwaukee varaosa. Mikäli jokin komponentti, jota ei ole kuvailtu, tarvitsee vaihtoa ota yhteys johonkin Milwaukee palvelupisteistä (kts. listamme takuuhuoltoilikkeiden/ palvelupisteiden osoitteista).


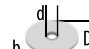


Tarpeen vaatiessa voit pyytää lähettämään laitteen kokoonpanopiirustuksen ilmoittamalla arvokilven numeron seuraavasta osoitteesta: Techtronic Industries GmbH, Max-Eyth-Straße 10, 71364 Winnenden, Germany.

## SYMBOLIT

	Lue käyttöohjeet huolellisesti, ennen koneen käynnistämistä.
	HUOMIO! VAROITUS! VAARA!
	Ota akku pois ennen kaikkia koneeseen tehtäviä toimenpiteitä.
	Älä käytä suojusta leikkaamiseen.
	Älä käytä väkivoimaa.
	Käytä voimaa.

	Käytä laitteella työskennellessäsi aina suojalaseja.
	Käytä korvasuojia.
	Koneella työskennellessä on käytettävä sopivaa suojainta.
	Käytä suojakäsineitä!
	Käytä laitetta aina kahdella kädellä.
	Vain hiontatöihin.
	Vain katkaisutöihin.
	Huomioi sallittu laikan paksuus.
	Lisälaite - Ei sisälly vakiovarustukseen, saatavana lisätarvikkeena.
	Sähkölaitteita ei saa hävittää yhdessä kotitalousjätteiden kanssa. Sähkö- ja elektroniset laitteet tulee kerätä erikseen ja toimittaa kierrätysliikkeeseen ympäristöystävällistä hävittämistä varten. Pyydä paikallisilta viranomaisilta tai alan kauppiailtasi tarkemmat tiedot kierrätyspisteistä ja keräyspaikoista.
	Nimellinen kierrosluku
	Jännite
	Tasavirta
	Euroopan säännönmukaisuusmerkki
	Britannian säännönmukaisuusmerkki
	Ukrainan säännönmukaisuusmerkki
	Euraasian säännönmukaisuusmerkki

## TEKNIKA SITOIEIA

	M18 FSAG115X	M18 FSAG125X
Kataskaueastikó eidós	ΓΩΝΙΑΚΟΣ ΤΡΟΧΟΣ ΜΠΑΤΑΡΙΑΣ	ΓΩΝΙΑΚΟΣ ΤΡΟΧΟΣ ΜΠΑΤΑΡΙΑΣ
Αριθμός παραγωγής	4830 49 01 XXXXXX MJJJJ	4830 56 01 XXXXXX MJJJJ
Τάση ανταλλακτικής μπαταρίας	18 V	18 V
Ονομαστικός αριθμός στροφών	8500 min <sup>-1</sup>	8500 min <sup>-1</sup>
Σπείρωμα απράκτου	M14	M14
D=Μέγιστη διάμετρος δίσκου λείανσης Μέγ.	115 mm	125 mm
d=διάμετρος οπής	22,2 mm	22,2
 b=Πάχος τροχού λείανσης Μέγ.	6 mm	6 mm
 b=Πάχος δίσκου κοπής Μέγ. / Ελάχ.	3 mm / 1 mm	3 mm / 1 mm
 D=Διάμετρος δίσκου λείανσης Μέγ.	115 mm	125 mm
 D=Διάμετρος συρματόβουρτσας Μέγ.	75 mm	75 mm
Βάρος σύμφωνα με τη διαδικασία EPTA 01/2014 (Li-Ion 2,0 Ah ... 12,0 Ah)	2,4 ... 3,4 kg	2,4 ... 3,5 kg
Συνιστώμενη θερμοκρασία περιβάλλοντος για τη λειτουργία		-18 ... +50 °C
Συνιστώμενη δέσμη συσσωρευτών		M18B...; M18HB...
Συνιστώμενη συσκευή φόρτισης		M12-18...; M1418C6
<b>Πληροφορίες θορύβου:</b> Τιμές μέτρησης εξακριβωμένες κατά EN 60745. Η σύμφωνα με την καμπύλη Α εκτιμηθείσα στάθμη θορύβου του μηχανήματος αναφέρεται σε:	82,7 dB(A) / 3 dB(A)	82,7 dB(A) / 3 dB(A)
Στάθμη ηχητικής πίεσης / Ανασφάλεια K	93,7 dB(A) / 3 dB(A)	93,7 dB(A) / 3 dB(A)
Στάθμη ηχητικής ισχύος / Ανασφάλεια K		
<b>Φοράτε προστασία ακοής (ωασιπίδες)!</b>		
<b>Πληροφορίες δόνησεων:</b> Υλικές τιμές κραδασμών (άθροισμα διανυσμάτων τριών διευθύνσεων) εξακριβώθηκαν σύμφωνα με τα πρότυπα EN 60745.		
Τιμή εκπομπής δόνησεων a <sub>n</sub> / Ανασφάλεια K	4,8 m/s <sup>2</sup> / 1,5 m/s <sup>2</sup>	5,5 m/s <sup>2</sup> / 1,5 m/s <sup>2</sup>
Λείανση επιφανειών	1,1 m/s <sup>2</sup> / 1,5 m/s <sup>2</sup>	1,9 m/s <sup>2</sup> / 1,5 m/s <sup>2</sup>
Λείανση με γυαλόχαρτο		

Σε άλλες εφαρμογές, όπως π.χ. διαχωριστική λείανση ή λείανση με τη συρματόβουρτσα μπορεί να προκύψουν άλλες τιμές ταλαντώσεων!

## ΠΡΟΕΙΔΟΠΟΙΗΣΗ!

Το αναφερόμενο στο παρόν φυλλάδιο επίπεδο τιμών δόνησης και εκπομπής θορύβου έχει μετρηθεί σύμφωνα με μια τυπική μέθοδο δοκιμών κατά το πρότυπο EN 60745 και μπορεί να χρησιμοποιηθεί για τη σύγκριση εργαλείων μεταξύ τους. Μπορεί να χρησιμοποιηθεί για μια προκαταρκτική αξιολόγηση της έκθεσης.

Ο αναφερόμενος τιμές επιπέδων δόνησης και εκπομπής θορύβου αντιστοιχούν στις βασικές εφαρμογές του εργαλείου. Στην περίπτωση χρήσης του εργαλείου σε διαφορετικές εφαρμογές, με διαφορετικά εξαρτήματα ή ανεπαρκή συντήρηση, τα επίπεδα δόνησης και εκπομπών θορύβου ενδέχεται να διαφέρουν. Αυτό μπορεί να έχει ως συνέπεια μία σημαντική αύξηση των επιπέδων έκθεσης καθόλη τη διάρκεια εκτέλεσης των εργασιών.

Για μία εκτίμηση των επιπέδων έκθεσης σε δόνηση και θόρυβο πρέπει να συνυπολογίζονται οι χρόνοι απενεργοποίησης του εργαλείου ή αυτοί κατά τους οποίους παραμένει ενεργό χωρίς να εκτελείται κάποια εργασία. Αυτό μπορεί να μειώσει σημαντικά τα επίπεδα έκθεσης καθόλη τη διάρκεια εκτέλεσης των εργασιών.

Ορίστε πρόσθετα μέτρα προστασίας του χειριστή από την έκθεση στη δόνηση ή/και στον θόρυβο όπως: συντήρηση του εργαλείου και των παρελκόμενων εξαρτημάτων, διατήρηση θερμότητας των χεριών, οργάνωση μπίβων εργασιών.

**ΠΡΟΕΙΔΟΠΟΙΗΣΗ!** Διαβάστε όλες τις Υποδείξεις ασφαλείας και τις Οδηγίες. Αμέλειες κατά την τήρηση των προειδοποιητικών υποδείξεων μπορεί να προκαλέσουν ηλεκτροπληξία, κίνδυνο πυρκαγιάς ή/και σοβαρούς τραυματισμούς. **Φυλάξτε όλες τις προειδοποιητικές υποδείξεις και οδηγίες για κάθε μελλοντική χρήση.**

## ΟΔΗΓΙΕΣ ΑΣΦΑΛΕΙΑΣ ΓΙΑ ΤΡΙΒΕΙΟ ΓΩΝΙΑΣ.

**Κοινές προειδοποιητικές υποδείξεις για λείανση και λείανση με σμιριδόχαρτο, για εργασίες με συρματόβουρτσα, για στίλβωση και για εργασίες κοπή**

**a) Αυτό το ηλεκτρικό εργαλείο πρέπει να χρησιμοποιείται σαν λειαντήρας με σμιριδόχαρτο, για εργασίες με συρματόβουρτσα και σαν μηχανήμα κοπής. Να λαμβάνετε πάντοτε υπόψη σας όλες τις προειδοποιητικές υποδείξεις, τις οδηγίες, τις απεικονίσεις και τα στοιχεία που σας παραδίδονται μαζί με το ηλεκτρικό εργαλείο. Η μη τήρηση των οδηγιών που ακολουθούν, μπορεί να οδηγήσει σε ηλεκτροπληξία, φωτιά και/ή σε σοβαρούς τραυματισμούς.**

**b) Αυτό το ηλεκτρικό εργαλείο δεν είναι κατάλληλο για γυάλισμα. Χρήσεις, οι οποίες δεν προβλέπονται για το ηλεκτρικό εργαλείο μπορούν να οδηγήσουν σε κινδύνους και να προκαλέσουν τραυματισμούς.**

**ç)** Μη χρησιμοποιήσετε ποτέ εξαρτήματα που δεν προβλέπονται και δεν προτάθηκαν από τον κατασκευαστή ειδικά γι' αυτό το ηλεκτρικό εργαλείο. Μόνο η διαπίστωση ότι μπορείτε να στερεώσετε ένα εξάρτημα στο ηλεκτρικό εργαλείο σας δεν εγγυάται την ασφαλή χρήση του.

**δ)** Ο επιτρεπτός αριθμός στροφών του ανταλλακτικού εξαρτήματος πρέπει να είναι τουλάχιστον τόσο υψηλός όσο ο μέγιστος αριθμός στροφών που αναφέρεται επάνω στο ηλεκτρικό εργαλείο. Εξαρτήματα τα οποία περιστρέφονται με ταχύτητα μεγαλύτερη από την επιτρεπτή, ενδέχεται να σπασούν και να εκσφενδονιστούν.

**ε)** Η εξωτερική διάμετρος και το πάχος του εργαλείου που χρησιμοποιείτε πρέπει να ανταποκρίνονται πλήρως στις αντίστοιχες διαστάσεις του ηλεκτρικού εργαλείου σας. Εργαλεία με εσφαλμένες διαστάσεις δεν μπορούν να καλυφθούν ή να ελεγχθούν ασφαλώς.

**ς)** Τα σπειρώματα των ανταλλακτικών εξαρτημάτων πρέπει να ταιριάζουν με το σπείρωμα του τροχού κοπής. Στα ανταλλακτικά εξαρτήματα που συνδέονται με φλάντζες η διάτρηση του δίσκου πρέπει να ταιριάζει με τη διάμετρο της τοποθετημένης φλάντζας. Ανταλλακτικά εξαρτήματα που δεν ταιριάζουν στον άξονα της συσκευής είναι εκκεντρα, δονούνται υπερβολικά έντονα και μπορούν να οδηγήσουν στην απώλεια του ελέγχου του μηχανήματος.

**ç)** Μη χρησιμοποιείτε χαλασμένα εργαλεία. Να ελέγχετε πάντοτε τα εργαλεία που πρόκειται να χρησιμοποιήσετε, π. χ. τους δίσκους κοπής για σπασίματα και ρωγμές, του δίσκους λείανσης για ρωγμές, φθορές ή ξεφτισματα και τις συρματοβούρτσες για χαλαρά ή σπασμένα σύρματα. Σε περίπτωση που το ηλεκτρικό εργαλείο ή κάποιο χρησιμοποιήσιμο εργαλείο πέσει κάτω, τότε ελέγξτε το εργαλείο μήπως έχει υποστεί κάποια βλάβη ή χρησιμοποιήστε ένα άλλο, άψογο εργαλείο. Μετά τον έλεγχο και την τοποθέτηση του εργαλείου που πρόκειται να χρησιμοποιήσετε πρέπει να απομακρύνετε τυχόν παρευρισκόμενα πρόσωπα από το επίπεδο περιστροφής του εργαλείου, οι ακολούθως ν' αφήσετε το ηλεκτρικό εργαλείο να εργαστεί ένα λεπτό υπό το μέγιστο αριθμό στροφών χωρίς φορτίο. Τυχόν χαλασμένα εργαλεία σπάνε ως επί το πλείστον κατά τη διάρκεια αυτού του χρόνου δοκιμής.

**η)** Να φοράτε πάντοτε τη δική σας, ατομική προστατευτική ενδυμασία. Να χρησιμοποιείτε επίσης, ανάλογα με την εκάστοτε εργασία που εκτελείτε, προστατευτικές μάσκες, προστατευτικές διατάξεις ματιών ή προστατευτικά γυαλιά. Αν χρειαστεί, φοράτε και μάσκα προστασίας από σκόνη, υψασπίδες προστατευτικά γάντια ή μια ειδική προστατευτική ποδιά, που θα σας προστατεύει από τυχόν εκσφενδονιζόμενα λειαντικά σωματίδια ή θραύσματα υλικού. Τα μάτια πρέπει να προστατεύονται από τυχόν αιωρούμενα σωματίδια που μπορεί δημιουργηθούν κατά την εκτέλεση των διάφορων εργασιών. Οι αναπνευστικές και οι προστατευτικές μάσκες πρέπει να φιλτράρουν τον αέρα και να συγκρατούν τη σκόνη που δημιουργείται κατά την εργασία. Σε περίπτωση που εκτεθείτε για πολύ χρόνο σε ισχυρό θόρυβο μπορεί να απωλέσετε την ακοή σας.

**ι)** Φροντίζετε, τυχόν παρευρισκόμενα άτομα να βρίσκονται πάντοτε σε ασφαλή απόσταση από τον τομέα που εργάζεστε. Κάθε άτομο που μπαίνει στον τομέα που εργάζεστε πρέπει να φορά προστατευτική ενδυμασία. Θραύσματα του υπό καταργασία τεμαχίου ή σπασμένων εργαλείων μπορεί να εκσφενδονιστούν και να προκαλέσουν τραυματισμούς ακόμη κι εκτός του άμεσου τομέα εργασίας.

**ιι)** Να πιάνετε τη συσκευή στις μονωμένες χειρολαβές όταν εκτελείτε εργασίες κατά τις οποίες τα κοπτικά εργαλεία θα μπορούσαν να πέσουν επάνω σε κρυμμένα καλώδια ρεύματος. Η επαφή των κοπτικών εργαλείων με αγωγό τροφοδοσίας τάσης μπορεί να θέσει τα μεταλλικά τμήματα της συσκευής υπ' όταση και να προκαλέσει ηλεκτροπληξία.

**κ)** Μην αποθέτετε το ηλεκτρικό εργαλείο ποτέ, προτού το ανταλλακτικό εξάρτημα ακινητοποιηθεί πλήρως. Το περιστρεφόμενο εργαλείο μπορεί να έρθει σε επαφή με την επιφάνεια στην οποία ακουμπήσατε το ηλεκτρικό εργαλείο κι έτσι να χάσετε τον έλεγχό του.

**λ)** Μην αφήσετε ο ηλεκτρικό εργαλείο να εργάζεται όταν το μεταφέρετε. Τα ρούχα σας μπορεί να τυλιχτούν τυχαίως στο περιστρεφόμενο εργαλείο κι αυτό να τρυπήσει το σώμα σας.

**μ)** Να καθαρίζετε τακτικά τις σχισμές αερισμού του ηλεκτρικού εργαλείου σας. Η πηρύτερη του κινήτρα τραβιά σκόνη μέσα στο περίβλημα και η συσσωρευση μεταλλικής σκόνης μπορεί να δημιουργήσει ηλεκτρικούς κινδύνους.

**ν)** Μη χρησιμοποιείτε το ηλεκτρικό εργαλείο κοντά σε εύφλεκα υλικά. Ο σπινθηρισμός μπορεί να τα αναφλέξει.

**ο)** Μη χρησιμοποιείτε εργαλεία που απαιτούν ψύξη με ψυκτικά υγρά. Η χρήση νερού ή άλλων ψυκτικών υγρών μπορεί να οδηγήσει σε ηλεκτροπληξία.

**Κλότσημα και σχετικές προειδοποιητικές υποδείξεις**

Το κλότσημα είναι μια απροσδόκητη αντίδραση όταν το περιστρεφόμενο εργαλείο, π. χ. ο δίσκος κοπής, ο δίσκος λείανσης, ή συρματοβούρτσα κτλ., προσκολληθεί κάπου (σκοντάφει) ή μπλοκάρει. Το σφηνώμα ή το μπλοκάρισμα οδηγεί στην απότομη διακοπή της περιστροφής του εργαλείου. Έτσι, ένα τυχόν μη υπό έλεγχο ευρισκόμενο ηλεκτρικό εργαλείο αντιδρά στο σημείο μπλοκαρίσματος/προσκόλλησης με σφοδρότητα και περιστρέφεται με συνεχή αυξανόμενη ταχύτητα με αντίθετη από εκείνη του εργαλείου.

Όταν π. χ. ένας δίσκος κοπής σφηνώσει ή μπλοκάρει μέσα στο υπό καταργασία υλικό, τότε η ακμή του δίσκου που βυθίζεται μέσα στο υλικό μπορεί να στρεβλώσει και ακολούθως ο δίσκος κοπής να πεταχτεί με ορμή και ανεξέλεγκτα από το υλικό ή να προκαλέσει κλότσημα. Όταν συμβεί αυτό ο δίσκος κοπής κινείται με κατεύθυνση προς το χειριστή/τη χειρίστρια και η αντίθετα, ανάλογα με τη φορά περιστροφής στο σημείο μπλοκαρίσματος. Σε τέτοιες περιπτώσεις δεν αποκλείεται ακόμη και το σπάσιμο των δίσκων κοπής.

Το κλότσημα είναι το αποτέλεσμα ενός εσφαλμένου ή ελλιπού χειρισμού του ηλεκτρικού εργαλείου και μπορεί να αποφευχθεί με λήψη κατάλληλων προληπτικών μέτρων, σαν αυτά που περιγράφονται παρακάτω.

**α)** Να κρατάτε το ηλεκτρικό εργαλείο πάντοτε καλά και να παίρνετε με το σώμα σας μόνο θέσεις, στις οποίες θα μπορούσατε να αντιμετωπίσετε επιτυχώς ένα ενδεχόμενο κλότσημα. Να χρησιμοποιείτε πάντοτε την πρόσθετη λαβή, αν αυτή φυσικά υπάρχει, για να εξασφαλίσετε έτσι το μέγιστο δυνατό έλεγχο του ηλεκτρικού εργαλείου σε περίπτωση εμφάνισης αναστροφών και αντίρροπων δυνάμεων (π. χ. κλότσημα) κατά την εκκίνηση. Ο χειριστής/η χειρίστρια μπορεί να αντιμετωπίσει με επιτυχία τα κλότσηματα και τις αναστροφές ροπές.

**β)** Μη βάζετε ποτέ τα χέρια σας κοντά στα περιστρεφόμενα εργαλεία. Το αξεσουάρ μπορεί να προκαλέσει ανάδραση πάνω από το χέρι σας.

**ç)** Μην παίρνετε με το σώμα σας θέσεις προς τις οποίες θα κινήθει το ηλεκτρικό εργαλείο σε περίπτωση κλότσηματος. Κατά το κλότσημα το ηλεκτρικό εργαλείο κινείται ανεξέλεγκτα με κατεύθυνση αντίθετη προς τη φορά περιστροφής του δίσκου λείανσης στο σημείο μπλοκαρίσματος.

**δ)** Να εργάζεστε με ιδιαίτερη προσοχή σε γωνίες, κοφτερές ακμές κτλ. Φροντίζετε, το λειαντικό εργαλείο να μην ανατιναχτεί έξω από το υπό καταργασία υλικό και να μη σφηνώσει σ' αυτό. Το περιστρεφόμενο λειαντικό εργαλείο σφηνώνει εύκολα κατά την εργασία σε γωνίες και σε κοφτερές ακμές ή όταν εκτινάξεται. Αυτό προκαλεί κλότσημα ή απώλεια του ελέγχου.

**ε)** Μη χρησιμοποιείτε λάμες για αλυσσπρίονα ή οδοντωτές κρινολάμες. Τέτοια ανταλλακτικά εξαρτήματα προκαλούν συχνά κλότσημα ή οδηγούν σε απώλεια του ελέγχου του ηλεκτρικού εργαλείου.

**Ιδιαίτερες προειδοποιητικές υποδείξεις για λείανση και κοπή**

**α)** Να χρησιμοποιείτε αποκλειστικά λειαντικά σώματα που είναι κατάλληλα για το ηλεκτρικό εργαλείο σας και μόνο προφυλακτρες που προβλέπονται γι' αυτά τα λειαντικά σώματα. Λειαντικά σώματα που δεν προβλέπονται για το ηλεκτρικό εργαλείο δεν μπορούν να καλυφθούν επαρκώς και γι' αυτό είναι ανασφαλή.

**β)** Οι πτυχωτοί τροχοί λείανσης πρέπει να τοποθετούνται με τέτοιο τρόπο ώστε η επιφάνεια λείανσης να μην εξέχει από την καλύτερη προστασία. Σε περίπτωση που ο τροχός λείανσης δεν τοποθετηθεί σωστά και εξέχει από την καλύτερη προστασία δεν μπορεί να καλυφθεί επαρκώς.

**ç)** Να χρησιμοποιείτε πάντοτε τον προφυλακτήρα που προβλέπεται για τον τύπο του εκάστοτε λειαντικού σώματος. Ο προφυλακτήρας πρέπει να είναι ασφαλώς στερεωμένος στο ηλεκτρικό εργαλείο και να είναι ρυθμισμένος κατά τέτοιο τρόπο, ώστε έτσι να επιτυγχάνεται η μέγιστη δυνατή ασφάλεια, δηλαδή το τμήμα του λειαντικού εργαλείου που δείχνει προς το χειριστή/τη χειρίστρια να είναι όσο το δυνατό πιο μικρό. Ο προφυλακτήρας βοηθάει στην προστασία του χειριστή από σπασμένα θραύσματα του τροχού, ακούσια επαφή με τον τροχό και σπινθήρες που μπορεί να αναφλέξουν τα ρούχα. **δ)** Τα λειαντικά σώματα πρέπει να χρησιμοποιούνται μόνο για τις εργασίες που αυτά προβλέπονται. Μην λειανείτε ποτέ με την πλευρική επιφάνεια ενός δίσκου κοπής. Οι δίσκοι κοπής προορίζονται για αφαίρεση υλικού μόνο με την ακμή τους. Αυτά τα λειαντικά σώματα μπορεί να σπασούν όταν υποστούν πίεση από τα πλάγια.

**ε)** Να χρησιμοποιείτε πάντοτε άψογες φλάντζες σύσφιξης με το σωστό μέγεθος και τη σωστή μορφή, ανάλογα με το δίσκο λείανσης που επιλέξατε. Οι κατάλληλες φλάντζες στηρίζουν το δίσκο λείανσης και μειώνουν έτσι τον κίνδυνο του σπασίματος των. Οι φλάντζες για δίσκους κοπής μπορεί να διαφέρουν από τις φλάντζες για άλλους δίσκους λείανσης.

**ς)** Να μη χρησιμοποιείτε μεταχειρισμένους δίσκους λείανσης από μεγαλύτερα λειαντικά εργαλεία. Δίσκοι λείανσης για μεγαλύτερα λειαντικά εργαλεία δεν είναι κατάλληλοι για τους υψηλότερους αριθμούς στροφών των μικρότερων ηλεκτρικών εργαλείων και γι' αυτό μπορεί να σπασούν.

**Συμπληρωματικές προειδοποιητικές υποδείξεις για δίσκους κοπής**

**α)** Να αποφεύγετε το μπλοκάρισμα των δίσκων κοπής και/ή την άσκηση πολύ υψηλής πίεσης. Να μη διεξάγετε τομές υπερβολικού βάθους. Η υπερβολική επιβάρυνση του δίσκου κοπής αυξάνει τη μηχανική παραμόρφωσή του και τον κίνδυνο στρέβλωσης κι έτσι και τις πιθανότητες κλοστήματος ή σπασίματος του λειαντικού σώματος.

**β)** Να αποφεύγετε την περιοχή μπροστά και πίσω από τον περιστρεφόμενο δίσκο κοπής. Όταν σπρώχνετε το δίσκο κοπής μέσα στο υπό καταργασία τεμάχιο τότε, σε περίπτωση κλοστήματος, το ηλεκτρικό εργαλείο με τον περιστρεφόμενο δίσκο μπορεί να εκσφενδονιστεί κατευθείαν επάνω σας.

**ç)** Όταν ο δίσκος κοπής μπλοκάρει ή όταν διακόπτετε την εργασία σας πρέπει να θέτετε το ηλεκτρικό εργαλείο εκτός λειτουργίας και ακολούθως να το κρατάτε ήρεμα μέχρι ο δίσκος κοπής να σταματήσει εντελώς να κινείται. Μην προσπαθήσετε ποτέ να βγάλετε το δίσκο κοπής από το υλικό όταν αυτός κινείται ακόμη, διαφορετικά υπάρχει κίνδυνος κλοστήματος. Εξακριβώστε κι εξουδετερώστε την αιτία του μπλοκαρίσματος.

**δ)** Μη θέσετε το ηλεκτρικό εργαλείο πάλι σε λειτουργία όσο ο δίσκος κοπής βρίσκεται ακόμη μέσα στο υπό καταργασία τεμάχιο. Αφήστε το δίσκο κοπής να αποκτήσει το μέγιστο αριθμό στροφών πριν συνεχίσετε προσεκτικά την κοπή. Διαφορετικά ο δίσκος μπορεί να σφηνώσει, να πεταχτεί με ορμή έξω από το υπό καταργασία υλικό ή να προκαλέσει κλότσημα.

**ε)** Πλάκες, ή άλλα μεγάλα υπό καταργασία τεμάχια, πρέπει να υποστηρίχονται για να ελαττωθεί ο κίνδυνος κλοστήματος από έναν τυχόν μπλοκαρισμένο δίσκο κοπής. Μεγάλα υπό καταργασία τεμάχια μπορεί να λυγίσουν κάτω από το ίδιο τους το βάρος. Το υπό καταργασία τεμάχιο πρέπει να υποστηριχτεί και στις δυο πλευρές του, και κοντά στην τομή κοπής και στην ακμή του.

**ς)** Να είστε ιδιαίτερα προσεκτικοί σε „τομές θυλάκων“ σε υπάρχοντες τοίχους ή άλλους τυφλούς τοίχους. Ο βυθιζόμενος δίσκος κοπής μπορεί να κόψει σωλήνες φωταερίου (γκαζιού) ή νερού, ηλεκτρικές γραμμές ή αντικείμενα που μπορεί να προκαλέσουν κλότσημα.

**Ιδιαίτερες προειδοποιητικές υποδείξεις για εργασίες λείανσης με σμυριδόχαρτο:**

**α)** Μη χρησιμοποιείτε υπερμεγέθη σμυριδόφυλλα αλλά τηρείτε τις συστάσεις του κατασκευαστή για το μέγεθος των σμυριδόφυλλων. Σμυριδόφυλλα που προεξέχουν από το δίσκο λείανσης μπορεί να προκαλέσουν τραυματισμούς, να οδηγήσουν σε μπλοκάρισμα, να σχιστούν ή να προκαλέσουν κλότσημα.

**Ιδιαίτερες προειδοποιητικές υποδείξεις για εργασίες με συρματοβούρτσες:**

**α)** Προσέχετε, διότι από τη μεταλλική βούρτσα επίσης και κατά τη συνήθη χρήση αποκόπτονται κομμάτια σύρματος. Μην επιβαρύνετε τα σύρματα με πολύ υψηλή δύναμη προπίεσης. Εκσφενδονισμένα κομμάτια σύρματος μπορούν να διαπεράσουν πολύ εύκολα λεπτά ρούχα και το δέρμα.

**β)** Όταν προτείνεται η χρήση προφυλακτρά πρέπει να φροντίσετε, τα σύρματα της βούρτσας να μην εγγιζούν τον προφυλακτήρα. Η διάμετρος των δισκοειδών και των ποτηροειδών βούρτσων μπορεί να μεγαλώσει εξαιτίας της ασκούμενης πίεσης και της ανάπτυξης κεντρόφυμων δυνάμεων.

## ΠΕΡΑΙΤΕΡΟ ΟΔΗΓΙΕΣ ΑΣΦΑΛΕΙΑΣ ΚΑΙ ΧΡΗΣΕΩΣ

Ελέγχετε πάντα το κουμπί ασφαλείας άξονα σε πλήρως απελευθερωμένη κατάσταση πριν ενεργοποιήσετε το εργαλείο! Αφού χρησιμοποιήσετε τη σφάλεια άξονα για να σφίξετε/χαλαρώσετε το δίσκο λείανσης, είναι πιθανό το κουμπί να κολλήσει στη θέση κλειδώματος.

Κατά την λείανση/τρόχισμα των μετάλλων δημιουργούνται σπινθήρες. Προσέχετε, να μην τεθεί σε κίνδυνο κανένα άτομο. Λόγω του κινδύνου πυρκαγιάς δεν επιτρέπεται να βρίσκονται κοντά εύφλεκα υλικά (περιοχή εκτόξευσης των σπινθήρων). Μη χρησιμοποιείτε καμία διάταξη αναρρόφησης σκόνης.

Μην αφήνετε τις σπινθες και την σκόνη που πετάνονται να σας χτυπάνε στο σώμα.

Μην απλώνετε τα χέρια σας στην επικίνδυνη περιοχή της μηχανής όταν είναι σε λειτουργία.

Τα γράβια ή οι σκληθρες δεν επιτρέπεται να απομακρύνονται όσο η μηχανή βρίσκεται σε λειτουργία.

Θέστε τη συσκευή αμέσως εκτός λειτουργίας όταν παρουσιαστούν σημαντικοί κραδασμοί ή διαπιστωθούν άλλα ελαττώματα. Ελέγξτε τη μηχανή, για να διαπιστώσετε την αιτία.

Σε ακραίες συνθήκες (π.χ. μέταλλα λείανσης με άξονα και τροχό λείανσης από βουλκανισμένες ίνες), μπορεί να σχηματιστούν σημαντικοί ρύποι στο εσωτερικό του τροχού.

Λόγω του κινδύνου βραχυκυκλώματος δεν επιτρέπεται να μπαίνουν μεταλλικά αντικείμενα στις σχισμές εξαρτισμού.

**ΠΡΟΕΙΔΟΠΟΙΗΣΗ!** Κίνδυνος εγκαύματος! Ο δίσκος και το υλικό προς επεξεργασία αναπτύσσουν πολύ υψηλή θερμοκρασία κατά τη διάρκεια της χρήσης. Φοράτε γάντια όταν αλλάζετε δίσκους ή αγγίζετε το υλικό προς επεξεργασία. Κρατάτε πάντα τα χέρια σας μακριά από την περιοχή λείανσης.

**ΠΡΟΕΙΔΟΠΟΙΗΣΗ!** Για να αποτρέπεται τον κίνδυνο πυρκαγιάς λόγω βραχυκυκλώματος, τραυματισμούς ή ζημιές του προϊόντος, να μη βυθίζετε το εργαλείο, τον ανταλλακτικό συσσωρευτή ή τη συσκευή φόρτισης σε υγρά και να φροντίζετε, ώστε να μη διεισδύουν υγρά στις συσκευές και τους συσσωρευτές. Διαβρωτικές ή αγώγιμες υγρές ουσίες, όπως αλατόνερο, ορισμένες χημικές ουσίες και λευκαντικά ή προϊόντα που περιέχουν λευκαντικά, μπορεί να προκαλέσουν βραχυκύκλωμα.

Μην ανοίγετε τις ανταλλακτικές μπαταρίες και τους φορτιστές και χρησιμοποιείτε για αποθήκευση μόνο στεγνούς χώρους. Προστατεύετε τις ανταλλακτικές μπαταρίες και τους φορτιστές από την υγρασία.

Φορτίζετε τις ανταλλακτικές μπαταρίες του συστήματος M18 μόνο με φορτιστές του συστήματος M18. Μη φορτίζετε μπαταρίες από άλλα συστήματα.

## ΧΡΗΣΗ ΣΥΜΦΩΝΑ ΜΕ ΤΟ ΣΚΟΠΟ ΠΡΟΟΡΙΣΜΟΥ

Ο γωνιακός τροχός προορίζεται για τη λείανση ή την κοπή μετάλλου, πέτρας, σκυροδέματος και κεραμικών υλικών, καθώς και για το τρίψιμο με υαλοχαρτί και την επεξεργασία με σφυρατόβουρτσα.

Για την κοπή, χρησιμοποιήστε το καπάκι κοπής από την περιοχή των εξαρτημάτων.

Σε περίπτωση αμφιβολιών προσέχετε τις υποδείξεις του κατασκευαστή των πρόσθετων εξαρτημάτων.

Η ηλεκτρική συσκευή είναι κατάλληλη μόνο για επεξεργασία χωρίς νερό.

Πρέπει να χρησιμοποιείτε μόνο ενδεδειγμένους δίσκους λείανσης ή κοπής και σχετικά προστατευτικά (προστατευτικό λείανσης ή προστατευτικό κοπής) με το γωνιακό τροχό, όπως περιγράφεται στην ενότητα προδιαγραφών προϊόντος του παρόντος εγχειριδίου. Ο γωνιακός τροχός είναι σχεδιασμένος για φορητή χρήση. Δεν πρέπει να σταθεροποιείται σε διάταξη σύφιξης ή σε πάγκο εργασίας.

Μη χρησιμοποιείτε το προϊόν με οποιονδήποτε άλλο τρόπο από αυτούς που δηλώνονται για την προβλεπόμενη χρήση.

## ΛΟΙΠΟΙ ΚΙΝΔΥΝΟΙ

Ακόμη και σε κανονική χρήση δεν μπορούν να αποκλείονται όλοι οι υπολειπόμενοι κίνδυνοι. Κατά τη χρήση θα μπορούσαν να προκύψουν οι ακόλουθοι κίνδυνοι, στους οποίους θα έπρεπε να δίνει ο χειριστής ιδιαίτερη προσοχή:

- Τραυματισμοί που προκύπτουν από δονήσεις. Να κρατάτε το μηχάνημα από τις προβλεπόμενες για το σκοπό αυτό χειρολαβές και να περιορίζετε το χρόνο εργασίας και έκθεσης.
- Η ηχορύπανση μπορεί να οδηγήσει σε ακουστικά τραύματα. Να φοράτε προστατευτικά ακοής και να περιορίζετε τη διάρκεια έκθεσης.
- Τραυματισμοί των οφθαλμών που προκύπτουν από ρυπαρόνα σωματίδια. Να φοράτε πάντα προστατευτικά γυαλιά, ανθεκτικά, μακριά παντελόνια, γάντια και ανθεκτικά υποδήματα.
- Εισπνοή δηλητηριώδους σκόνης.

## ΥΠΟΔΕΙΞΕΙΣ ΓΙΑ ΕΠΑΝΑΦΟΡΤΙΖΟΜΕΝΕΣ ΜΠΑΤΑΡΙΕΣ ΙΟΝΤΩΝ ΛΙΘΙΟΥ

### Χρήση επαναφορτιζόμενων μπαταριών ιόντων λιθίου

Επαναφορτίζετε τις ανταλλακτικές μπαταρίες που δεν έχουν χρησιμοποιηθεί για μεγαλύτερο χρονικό διάστημα πριν τη χρήση.

Μια θερμοκρασία πάνω από 50°C μειώνει την ισχύ της ανταλλακτικής μπαταρίας. Αποφεύγετε τη θέρμανση για μεγαλύτερο χρονικό διάστημα από τον ήλιο ή τις συσκευές θέρμανσης.

Διατηρείτε τις επαφές σύνδεσης στο φορτιστή και στην ανταλλακτική μπαταρία καθαρές.

Για μια άριστη διάρκεια ζωής πρέπει μετά τη χρήση οι μπαταρίες να φορτιστούν πλήρως.

Για μια κατά το δυνατόν μεγάλη διάρκεια ζωής οι μπαταρίες μετά τη φόρτιση οφείλουν να αφαιρεθούν από το φορτιστή.

Για την αποθήκευση της μπαταρίας για διάστημα μεγαλύτερο των 30 ημερών:

Αποθηκεύετε τη μπαταρία περ. στους 27°C σε στεγνό χώρο.

Αποθηκεύετε τη μπαταρία περ. στο 30%-50% της κατάστασης φόρτισης.

Κάθε 6 μήνες φορτίζετε εκ νέου τη μπαταρία.

### Προστασία υπερφόρτισης επαναφορτιζόμενων μπαταριών ιόντων λιθίου

Σε υπερφόρτωση της μπαταρίας από πολύ υψηλή κατανάλωση ρεύματος, π. χ. από ακραίες υψηλές ροπές περιστροφής, μπλοκάρισμα του τρυπανιού, δονείται το ηλεκτρικό εργαλείο για 5 δευτερόλεπτα, αναβοσβήνει η ένδειξη φόρτισης και το ηλεκτρικό εργαλείο απενεργοποιείται αυτόματα.

Για μια νέα ενεργοποίηση, αφήνετε ελεύθερο το διακόπτη και στη συνέχεια ενεργοποιείτε εκ νέου. Κάτω από ακραίες καταπονήσεις θερμαίνεται πάρα πολύ η μπαταρία. Στην περίπτωση αυτή αναβοσβήνουν όλες οι λάμπες της ένδειξης φόρτισης μέχρι να έχει κρυώσει η μπαταρία. Μετά το σβήσιμο της ένδειξης φόρτισης μπορεί να συνεχιστεί η συνεργασία.

### Μεταφορά των μπαταριών ιόντων λιθίου

Οι μπαταρίες ιόντων λιθίου υπόκεινται στις απαιτήσεις των νομικών διατάξεων για την μεταφορά επικινδύνων εμπορευμάτων.

Η μεταφορά τέτοιων μπαταριών πρέπει να πραγματοποιείται τηρώντας τους τοπικούς, εθνικούς και διεθνείς κανονισμούς και τις αντίστοιχες διατάξεις.

Επιτρέπεται η μεταφορά τέτοιων μπαταριών στο δρόμο χωρίς περαιτέρω απαιτήσεις.

Η εμπορική μεταφορά μπαταριών ιόντων λιθίου από εταιρείες μεταφορών υπόκειται στις απαιτήσεις των νομικών διατάξεων για την μεταφορά επικινδύνων εμπορευμάτων. Οι προετοιμασίες αποστολής και η μεταφορά πραγματοποιούνται αποκλειστικά από ειδικά εκπαιδευμένα πρόσωπα. Η συνολική διαδικασία συνοδεύεται από εξειδικευμένο προσωπικό.

Κατά τη μεταφορά μπαταριών ιόντων λιθίου πρέπει να προσέχετε τα εξής:

Φροντίστε τα σημεία επαφών να είναι προστατευμένα και μονωμένα ώστε να αποφευχθούν βραχυκυκλώματα.

Προσέξτε το πακέτο μπαταριών να είναι σταθερό μέσα στη συσκευασία και να μη γλιστρά. Η μεταφορά μπαταριών που παρουσιάζουν φθορές ή διαρροές δεν επιτρέπεται. Για περισσότερες πληροφορίες απευθυνθείτε στην εταιρεία μεταφορών.

## ΥΠΟΔΕΙΞΕΙΣ ΕΡΓΑΣΙΑΣ

### Υπερφόρτωση και προστασία από ανάδραση

Η συσκευή είναι εξοπλισμένη με λειτουργία προστασίας ενάντια σε υπερφόρτωση και εσφυϊκό χτύπημα και τίθεται εκτός λειτουργίας σε τέτοιες περιπτώσεις. Απενεργοποιήστε το ηλεκτρικό εργαλείο και στη συνέχεια επανενεργοποιήστε το ηλεκτρικό εργαλείο προκειμένου να συνεχίσετε την εργασία σας.

### Μαλακό έναρξη

Το ηλεκτρονικό σύστημα αυξάνει ομαλά τον αριθμό στροφών ώστε να αποφευχθεί μια απότομη εκκίνηση της μηχανής και να διασφαλισθεί ο σίγουρος χειρισμός της.

Για εργαλεία στα οποία προσαρμόζεται τροχός με σπειρωτή οπή, βεβαιωθείτε ότι το σπείρωμα στον τροχό έχει αρκετό μήκος ώστε να ανταποκρίνεται στο μήκος του άξονα.

Χρησιμοποιείτε και φυλάγετε τους δίσκους κοπής και λείανσης πάντοτε σύμφωνα με τις οδηγίες του κατασκευαστή.

Κατά το ξεχόνδρισμα και το κόψιμο να εργάζεστε πάντοτε με το κάλυμμα προστασίας.

Οι πτυχωτοί τροχοί λείανσης πρέπει να τοποθετούνται με τέτοιο τρόπο ώστε η επιφάνεια λείανσης να μην εξέχει από την καλύπτρα προστασίας.

Το φλαντζωτό παξιμάδι πρέπει να έχει σφιχτεί πριν την έναρξη λειτουργίας της μηχανής.

Χρησιμοποιείτε πάντοτε την πρόσθετη χειρολαβή.

Το προς επεξεργασία κομμάτι πρέπει να σφιχτεί καλά, όταν δεν μπορεί να κρατηθεί με το ίδιο του το βάρος. Μην κρατάτε ποτέ το επεξεργαζόμενο κομμάτι με το χέρι ενάντια στο δίσκο.

Η φλάντζα στερέωσης φερόμενου εργαλείου πρέπει να είναι καλά σφιγμένη πριν τεθεί η συσκευή σε λειτουργία. Αν το φερόμενο εργαλείο δεν στερεωθεί αρκετά μέσω σφίξιματος της φλάντζας, υπάρχει η πιθανότητα το εργαλείο να χάσει σε τάση κατά την διάρκεια επιβράδυνσης.

### ΣΥΝΤΗΡΗΣΗ ΚΑΙ ΚΑΘΑΡΙΣΜΟΣ

Διατηρείτε πάντοτε τις σχισμές εξερισμού της μηχανής καθαρές.

## ΣΥΝΤΗΡΗΣΗ

Χρησιμοποιείτε μόνο αξεσουάρ Milwaukee και ανταλλακτικά Milwaukee. Εξαρτήματα, που η αλλαγή τους δεν περιγράφεται, αντικαθιστώνται σε μια τεχνική υποστήριξη της Milwaukee (βλέπε φυλλάδιο εγγύηση/ διευθύνσεις τεχνικής υποστήριξης).

Όταν χρειάζεται, μπορείτε να ζητήσετε ένα σχέδιο συναρμολόγησης της συσκευής, δίνοντας τον τύπο της μηχανής και αριθμό στην πινακίδα ισχύος, από το κέντρο σέρβις ή απευθείας από τη φήμα Technonic Industries GmbH, Max-Eyth-Straße 10, 71364 Winnenden, Germany.

## ΣΥΜΒΟΛΑ



Παρακαλώ διαβάστε σχολαστικά τις οδηγίες χρήσης πριν από την έναρξη λειτουργίας.



**ΠΡΟΣΟΧΗ! ΠΡΟΕΙΔΟΠΟΙΗΣΗ! ΚΙΝΔΥΝΟΣ!**



Πριν από κάθε εργασία στη μηχανή αφαιρείτε την ανταλλακτική μπαταρία.



Μην χρησιμοποιείτε τον προφυλακτήρα για εργασίες κοπής.



Μην βάζετε δύναμη.



Εφαρμόστε δύναμη.



Στις εργασίες με τη μηχανή φοράτε πάντοτε προστατευτικά γυαλιά.



Φοράτε ωτοασπίδες.



Να φοράτε κατάλληλη μάσκα προστασίας από σκόνη.



Να φοράτε προστατευτικά γάντια!



Χρησιμοποιείτε πάντα και τα δύο χέρια για τον χειρισμό.



Μόνο για εργασίες λείανσης.



Μόνο για εργασίες κοπής.



Λάβετε υπόψη το επιτρεπόμενο πάχος δίσκου.



Εξαρτήματα - Δεν περιλαμβάνονται στα υλικά παράδοση, συνιστούμενη προσθήκη από το πρόγραμμα εξαρτημάτων.



Ηλεκτρικά μηχανήματα δεν επιτρέπεται να απορρίπτονται μαζί με τα οικιακά απορρίμματα. Ηλεκτρικά και ηλεκτρονικά μηχανήματα συλλέγονται ξεχωριστά και παραδίδονται προς ανακύκλωση με τρόπο φιλικό προς το περιβάλλον σε επιχείρηση επεξεργασίας απορριμμάτων. Ενημερωθείτε από τις τοπικές υπηρεσίες ή από ειδικευμένους εμπόρους σχετικά με κέντρα ανακύκλωσης και συλλογής απορριμμάτων.

$n_p$

Ονομαστικός αριθμός στροφών

$v$

Τάση



Συνεχές ρεύμα



Ευρωπαϊκό σήμα πιστότητας



Βρετανικό σήμα πιστότητας

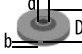





Ουκρανικό σήμα πιστότητας

001



Ευρασιατικό σήμα πιστότητας

TEKNİK VERİLER	M18 FSAG115X	M18 FSAG125X
Modeli	Akü açılı taşlama aleti	Akü açılı taşlama aleti
Üretim numarası	4830 49 01 XXXXXX MJJJJ	4830 56 01 XXXXXX MJJJJ
Kartuş akü gerilimi	18 V	18 V
Devir sayısı	8500 min <sup>-1</sup>	8500 min <sup>-1</sup>
Mil dişi	M14	M14
D=taşlama diski çapı Maks.	115 mm	125 mm
d=Delik ø	22,2 mm	22,2
 b=Taşlama diski kalınlığı Maks.	6 mm	6 mm
 b=Kesme diski kalınlığı Maks. / Min.	3 mm / 1 mm	3 mm / 1 mm
 D=Zımparalama diski çapı Maks.	115 mm	125 mm
 D=Saçaklı çanak fırça çapı Maks.	75 mm	75 mm
Ağırlığı ise EPTA-üretici 01/2014'e göre (Li-Ion 2,0 Ah ... 12,0 Ah)	2,4 ... 3,4 kg	2,4 ... 3,5 kg
Çalıştırılması için tavsiye edilen ortam sıcaklığı	-18 ... +50 °C	
Tavsiye edilen güç paketleri	M18B...; M18HB...	
Tavsiye edilen şarj aletleri	M12-18...; M1418C6	
<b>Gürültü bilgileri:</b> Ölçüm değerleri EN 60745 e göre belirlenmektedir. Aletin, frekansa bağımlı uluslararası ses basıncı seviyesi değerlendirme eğrisi A'ya göre tipik gürültü seviyesi:	82,7 dB(A) / 3 dB(A)	82,7 dB(A) / 3 dB(A)
Ses basıncı seviyesi / Tolerans K	93,7 dB(A) / 3 dB(A)	93,7 dB(A) / 3 dB(A)
Akustik kapasite seviyesi / Tolerans K		
<b>Koruyucu kulaklık kullanın!</b>		
<b>Vibrasyon bilgileri:</b> Toplam titreşim değeri (üç yönün vektör toplamı) EN 60745'e göre belirlenmektedir..		
titreşim emisyon değeri a <sub>h</sub> / Tolerans K		
Üst yüzey taşlaması	4,8 m/s <sup>2</sup> / 1,5 m/s <sup>2</sup>	5,5 m/s <sup>2</sup> / 1,5 m/s <sup>2</sup>
Zımpara kağıdı ile taşlama	1,1 m/s <sup>2</sup> / 1,5 m/s <sup>2</sup>	1,9 m/s <sup>2</sup> / 1,5 m/s <sup>2</sup>
Diğer uygulamalarda, örneğin çelik tel fırça ile ayırarak taşlama veya taşlama işleminde başka vibrasyon değerleri ortaya çıkabilir!		

## UYARI!

Bu bilgi formunda belirtilen titreşim ve gürültü düzeyi EN 60745 uyarınca standart bir test yöntemine göre ölçülmüş olup, bir aleti diğerleriyle karşılaştırmak için kullanılabilir. Bir maruz kalma ön değerlendirmesi için de kullanılabilir.

Bayan edilmiş titreşim ve gürültü emisyon değeri aletin ana uygulamalarını temsil eder. Ancak, alet farklı uygulamalar için veya farklı aksesuarla kullanılır ya da aletin bakımı yetersiz yapılırsa, titreşim ve gürültü emisyonu farklılık gösterebilir. Bu, toplam çalışma süresi boyunca maruz kalma seviyesini önemli ölçüde artırabilir.

Titreşim ve gürültüye maruz kalma seviyesi tahmininde, aletin kapalı olduğu veya çalıştığı, ancak aslında işini yapmadığı süreler de göz önünde bulundurulmalıdır. Bu, toplam çalışma süresi boyunca maruz kalma seviyesini önemli ölçüde azaltabilir.

Operatörü titreşim ve/veya gürültünün etkilerinden korumak için, aletin ve aksesuarların bakımını yapmak, elleri sıcak tutmak ve çalışma biçimlerini düzenlemek gibi ilave güvenlik önlemleri belirleyin.

## UYARI! Güvenlikle ilgili bütün açıklamaları. Açıklanan uyarılara ve talimat hükümlerine uyulmadığı takdirde elektrik çarpmalarına, yangınlara ve/veya ağır yaralanmalara neden olunabilir.

**Bütün uyarıları ve talimat hükümlerini ileride kullanmak üzere saklayın.**

### AÇILI TAŞLAYICI İÇİN GÜVENLİK UYARILARI

**Taşlama, kumlu zımpara kağıdı ile zımparalama, tel fırça ile taşlama, polisaj ve kesici taşlama işleri için müşterek uyarılar:**

**a) Bu elektrikli el aleti taşlama, kumlu zımpara kağıdı ile zımparalama kesici taşlama olarak kullanılmak üzere geliştirilmiştir. Elektrikli el aleti ile birlikte teslim edilen bütün uyarılara, talimata, şekillere ve verilere uyun hareket edin. Aşağıdaki talimat hükümlerine uymadığınız takdirde elektrik çarpması, yangın veya ağır yaralanma tehlikesi ile karşılaşabilirsiniz.**

**b) Bu elektrikli el aleti polisaj yapmaya uygun değildir. Elektrikli el aleti için öngörülmemen kullanımlar risklere ve yaralanmalara sebebiyet verebilir.**

**c) Üretici tarafından özel olarak bu alet öngörülmemen ve tavsiye edilmeyen aksesuar kullanmayın. Bir aksesuarı elektrikli el aletinize takabiliyor olmanız güvenli kullanımı garanti etmez.**

**d) Kullanılan takımın izin verilen devri, en az elektrikli cihaz üzerinde yazılı azami devir kadar yüksek olmalıdır. İzin verilen den daha hızlı dönen aksesuar kırılabilir ve etrafa fırlayabilir.**

**e) Kullanılan ucun dış çapı ve kalınlığı elektrikli el aletinizin ölçülerine uymalıdır. Ölçüleri uygun olmayan uçlar yeterli derecede kapatılmaz veya kontrol edilemez.**

**f) Aksesuar parçalarının dişlileri taşlama milinin dişlilerine uygun olmalıdır. Flanşlanması gereken aksesuar parçalarında, aksesuar parçası içindeki germe sapının deliği, tespit etme flanşının çapına uygun olmalıdır. Cihazın montaj sapı üzerine sığmayan aksesuar parçaları, eksantrik hareket eder, aşırı titreşir ve alet üzerindeki hakimiyetin kaybedilmesine neden olabilirler.**

**g) Hasarlı uçları kullanmayın. Her kullanımdan önce taşlama disklerinde çatlak ve çizik olup olmadığını, zımpara tablalarında çizik ve aşınma olup olmadığını, tel fırçalarda gevşeme veya kırık teller olup olmadığını kontrol edin. Elektrikli el aleti veya uç yere düşecek olursa hasar görüp görmediklerini kontrol edin, gerekiyorsa hasar görmemiş başka bir uç kullanın. Kullanacağınız ucu kontrol edip taktıktan sonra ucun dönme alanı yakınında bulunan kişileri uzaklaştırın ve elektrikli el aletini bir dakika en yüksek devir sayısında çalıştırın. Hasarlı uçlar çoğu zaman bu test süresinde kırılır.**

**h) Kişisel koruyucu donanım kullanın. Yaptığınız işe göre tam yüz siperliği, göz koruma donanımı veya koruyucu gözlük kullanın. Eğer uygunsuz küçük taşlama ve malzeme parçacıklarına karşı koruma sağlayan toz maskesi, koruyucu kulaklık, koruyucu iş eldivenleri veya özel iş önlüğü kullanın. Gözler çeşitli uygulamalarda etrafa savrulan parçacıklardan korunmalıdır. Toz veya soluma maskesi çalışma sırasında ortaya çıkan tozları filtre eder. Uzun süre yüksek gürültü altında çalışırsanız işitme kaybına uğrayabilirsiniz.**

**i) Başkalarının çalıştığınız yerden güvenli uzaklıkta olmasına dikkat edin. Çalışma alanınıza girmek zorunda olan herkes koruyucu donanım kullanmalıdır. İş parçasının veya ucun kırılması sonucu ortaya çıkan parçacıklar etrafa savrulurak çalışma alanınızın dışındaki kişileri de yaralayabilir.**

**j) Kesme aletinin eğrilmiş elektrik kabloları isabet eden çalışmalar yapılmıyken cihazı izole edilmiş kollarından tutun. Kesme aletinin içinden elektrik akımı geçen kablo ile temas etmesi durumunda elektrik akımı cihazın metal kısımlarına geçer ve elektrik çarpmasına sebebiyet verebilir.**

**k) Takım tamamen durmadan elektrikli cihazı asla yere koymayınız. Dönmekte olan uç aleti bırakacağız yüzeye temas edebilir ve elektrikli el aletinin kontrolünü kaybedebilirsiniz.**

**l) Elektrikli el aletini çalışır durumda taşımayın. Giysileriniz rastlantı sonucu dönmekte olan uç tarafından tutulabilir ve uç bedeninize temas edebilir.**

**m) Elektrikli el aletinizin havalandırma deliklerini düzenli olarak temizleyin. Motor fanı tozu gövdeye çeker ve metal tozunun aşırı birikimi elektrik çarpması tehlikesini ortaya çıkarır.**

**n) Elektrikli el aletini yanıcı malzemenin yakınında kullanmayın. Kıvılcıklar bu malzemeyi tutuşturabilir.**

**o) Sıvı soğutucu madde gerektiren uçları kullanmayın. Suyun veya diğer sıvı soğutucu maddenin kullanımı elektrik çarpmasına neden olabilir.**

### Geri tepme ve buna ait uyarılar

Geri tepme, dönmekte olan taşlama diski, zımpara tablası, tel fırça ve benzeri uçların takılması veya bloke olması sonucu ortaya çıkan ani tepkidir. Takılma ve blokaj dönmekte olan ucun ani olarak durmasına neden olur. Bu gibi durumlarda elektrikli el aleti blokaj yerinden ucun dönme yönünün tersine doğru savrulur.

Örneğin bir taşlama diski iş parçası içinde takılır veya bloke olursa, taşlama diskinin içine giren kenarı tutulur ve dalk kırılır veya geri tepme kuvvetinin ortaya çıkmasına neden olur. Bu durumda taşlama diski blokaj yerinden, diskin dönme yönüne bağlı olarak kullanıcıya doğru veya kullanıcının tersine hareket eder. Bu gibi durumlarda taşlama disklerinin kırılma olasılığı da vardır.

Geri tepme kuvveti elektrikli el aletinin yanlış veya hatalı kullanımı sonucu ortaya çıkar. Geri tepme kuvvetleri aşağıda açıklanan koruyucu önlemlerle önlenir.

**a) Elektrikli el aletini sıkıca tutun ve bedeniniz ile ellerinizi geri tepme kuvvetlerini rahatça karşılayabilecek duruma getirin. Alet hızlanırken ortaya çıkabilecek geri tepme kuvvetlerini veya reaksiyon momentlerini optimal ölçüde karşılayabilmek için eğer varsa her zaman ek tutamağı kullanın. Kullanıcı uygun önlemler alarak geri tepme ve reaksiyon kuvvetlerine hakim olabilir.**

**b) Elinizi hiçbir zaman dönen ucun yakınına getirmeyin. Aksesuar elinize geri tepebilir.**

**c) Bedeninizi geri tepme sırasında elektrikli el aletinin hareket edebileceği alandan uzak tutun. Geri tepme kuvveti elektrikli el aletini blokaj yerinden taşlama diskinin dönme yönünün tersine doğru iter.**

**d) Özellikle köşeleri, keskin kenarları ve benzerlerini işlerken dikkatli olun. Uçun iş parçasından dışarı çıkması ve takılıp sıkışmasını önleyin. Dönmekte olan uç köşelerde, keskin kenarlarda çalışırken sıkışmaya eğilimlidir. Bu ise kontrol kaybına veya geri tepmeye neden olur.**

**e) Zincirli veya dişli testere bıçakları kullanmayınız. Bu gibi takımlar sıklıkla geri tepmeye veya elektrikli cihaz üzerindeki kontrolün kaybedilmesine neden olur.**

### Taşlama ve kesici taşlama için özel uyarılar

**a) Sadece elektrikli el aletinin için müsaade edilen taşlama uçlarını ve bu uçlar için öngörülen koruyucu kapağı kullanın. Bu elektrikli el aleti için öngörülmemen taşlama uçları yeterli ölçüde kapatılmazlar ve güvenli değildirler.**

**b) Bombeli taşlama diskleri, taşlama yüzeyi koruyucu kapak kenarı seviyesini aşmayacak şekilde monte edilmelidir. Usulüne uygun monte edilmeyen ve koruyucu kapak kenarı seviyesini aşan bir taşlama diski yeterli kadar izole edilemez.**

**c) Daima taşlama ucunun türüne uygun koruyucu kapak kullanın. Koruyucu kapak elektrikli el aletine güvenli biçimde takılmış olmalı ve en yüksek güvenliği sağlayacak biçimde ayarlanmış olmalıdır. Taşlama ucunun mümkün olan en küçük kısmı açıkta kalmalı ve kullanıcıyı göstermelidir. Korkuluk operatörün kırık çark parçacıklarından, kazayla çarkla temas etmekten ve giysileri tutuşturabilecek kıvılcımlardan korunmasına yardımcı olur.**

**d) Taşlama uçları sadece tavsiye edilen uygulamalarda kullanılabilir. Örneğin: Bir kesme diskinin kenarı ile hiçbir zaman taşlama yapmayın. Kesici taşlama diskleri uçları ile malzeme kazıma için geliştirilmiştir. Bu uçlara yandan baskı uygulandığında kırılabilirler.**

**e) Seçtiğiniz taşlama diski için daima hasar görmemiş doğru büyüklük ve biçimde germe flanş kullanın. Uygun flanşlar taşlama diskinin destekler ve kırılma tehlikesini önlerler. Kesici taşlama diskleri için öngörülen flanşlar diğer uçlara ait flanşlardan farklı olabilir.**

**f) Büyük elektrikli el aletlerini ait yıpranmış taşlama disklerini kullanmayın. Büyük elektrikli el aletlerinde kullanılan taşlama diskleri yüksek devirli küçük el aletlerinde kullanılmaya elverişli değildirler ve kırılabilirler.**

### Kesici taşlama için diğer özel uyarılar

**a) Kesici taşlama diskinin bloke olmamasını sağlayın veya bu diske yüksek bastırma kuvveti uygulamayın. Aşırı derinlikte kesme yapmayın. Kesici taşlama ucuna aşırı yüklenme açıldırma yapılmasına veya blokaja neden olabilir ve bunun sonunda da geri tepme kuvveti oluşabilir veya taşlama ucu kırılabilir.**

**b) Dönmekte olan kesici taşlama diskinin ön ve arka alanına yaklaşmayın. Kesici taşlama diskinin iş parçasından dışarı çıkarırsanız bir geri tepme kuvveti oluştuğunda dönen disk size doğru savrulabilir.**

**c) Kesici taşlama diski sıkışacak olursa veya siz işe ara verirken elektrikli el aletini kapatın ve disk tam olarak duruncaya kadar aleti kesin biçimde tutun. Dönmekte olan kesici taşlama diskinin hiçbir zaman kesme yerinden çıkarmayın denemeyin, aksi takdirde geri tepme kuvveti oluşabilir. Sıkışmanın nedenini tespit edin ve giderin.**

**d) Elektrikli el aleti iş parçası içinde bulunduğu sürece onu tekrar çalıştırmayın. Kesme işine dikkatli biçimde devam etmeden önce kesme diskinin en yüksek devire ulaşmasını bekleyin. Aksi takdirde disk takılabilir, iş parçasından çıkabilir veya bir geri tepme kuvveti oluşabilir.**

**e) Kesici taşlama diskinin sıkışması sonucu oluşabilecek geri tepme kuvvetlerini önlemek için büyük levha veya iş parçalarını destekleyin. Büyük iş parçaları kendi ağırlıkları ile bükülebilir. Büyük iş parçaları iki yandan desteklenmelidir, hem kesme hattının yakınından hem de kenardan.**

f) Mevcut bulunan duvarlardaki „Cep kesitlerinde“ veya diğer görünmeyen sahelerde özellikle dikkatli olunuz. Malzeme içine dalan kesici taşlama diskleri kesme işlemi sırasında gaz veya su borularına, elektrik kablolarına veya diğer nesnelere rastlayarak geri tepme kuvveti oluşturabilirler.

#### Zımpara kağıtları ile çalışmaya ait özel uyarılar:

a) Boyutları yüksek zımpara kağıtlarını kullanmayın, zımpara kağıtları için üreticinin verilerine uyun. Zımpara tablasından dışarı çıkıntı yapan zımpara kağıtları yaralanmalara neden olabilirler, blokaja neden olabilirler, yırtılabilirler veya geri tepme kuvvetlerinin oluşmasına neden olabilirler.

#### Tel fırça ile çalışmaya ait özel uyarılar:

a) Tel fırçaların bilindiği şekli ile tel parçalarının kullanımını esasında varyasyon yaptığınız dikkate alınmaz. Fazla bir baskı ile tellere fazla yüklenmeyiniz. Uçuşan tel parçaları hafif ince elbisenin içine girebilir ve/veya cilde nüfuz eder.

b) Koruyucu kapak kullanırken koruyucu kapakla tel fırçanın birbirine temas etmesini önleyin. Tabla veya çanak biçimli fırçalar bastırma ve merkezkaç kuvvetleri nedeniyle çaplarını büyütebilir.

#### EK GÜVENLİK VE ÇALIŞMA TALIMATLARI

Aleti devreye almadan önce mutlaka mil kilidi düğmesinin tamamen açık olduğunu doğrulayın! Mil kilidini aşındırıcı disk sıkıştırma / gevşetmek için kullandıktan sonra, düğmenin kilitle konumda kalmış olması mümkündür.

Taşlama işlemi sırasında ortaya çıkan kıvılcımlara dikkat edin, yanıcı malzemeler tutuşabilir.

Uçuşan kıvılcıkların ve taşlama tozunun vücudunuza çarpmasından sakının.

Aletin tehlikeli olabilecek bölümlerini tutmayın.

Alet çalışır durumda iken talaş ve kırıntıları temizlemeye çalışmayın.

Hissedilir ölçüde titreşim oluşmaya başlarsa veya normal olmayan başka aksaklıklar ortaya çıkarsa aleti hemen kapatın. Bu aksaklıkların nedenini belirlemek için aleti kontrol edin.

Aşırı koşullarda (örneğin, mil ve sertleştirilmiş elyaflı taşlama çarklı yumuşak taşlama metalleri), kalıp taşlama makinesinin içinde önemli miktarda kirillik birikebilir.

Kısa devre tehlikesi ortaya çıkacağından metal parçaların havalandırma aralıklarına girmemesi gerekir.

UYARI! Yanma tehlikesi! İşlenen parça ve disk kullanım sırasında ısınır. Diskleri değiştirir ya da işlenen parçaya dokunurken eldiven giyin. Ellerinizi her zaman taşlama alanından uzak tutun.

UYARI! Bir kısa devreden kaynaklanan yangın, yaralanma veya ürün hasarları tehlikesini önlemek için aleti, güç paketini veya şarj cihazını asla sıvıların içine daldırmayınız ve cihazların ve pillerin içine sıvı girmesini önleyiniz. Tuzlu su, belirli kimyasallar, ağartıcı madde veya ağartıcı madde içeren ürünler gibi korozif veya iletken sıvılar kısa devreye neden olabilir.

Kartuş aküleri ve şarj cihazını açmayın ve sadece kuru yerlerde saklayın. Neme ve ıslanmaya karşı koruyun.

M18 sistemli kartuş aküleri sadece M18 sistemli şarj cihazları ile şarj edin. Başka sistemli aküleri şarj etmeyin.

#### KULLANIM

Açılı taşıyıcı metal, taş, beton ve seramik malzemeyi taşıyıp kesmenin yanı sıra kumlama ve telle fırçalama için geliştirilmiştir. Kesme uygulaması için aksesuarlar dizisinden kesme başlığını kullanın.

örneğin metal veya taş ve plastik taşlamatabağı ile taşlama ve çelik tel fırça ile çalışırken.

Bu elektrikli alet sadece susuz çalışmak için uygundur.

Açılı taşıyıcıya sadece bu kılavuzun ürünün teknik özellikleri bölümünde tanımlanan uygun taşlama veya kesme diskleriyle ilgili korkuluklar (taşlama korkuluğu ve kesme korkuluğu) takılmalıdır. Açılı taşıyıcı elde taşınarak kullanılmak için geliştirilmiş olup sabit bir aksam ya da tezgaha monte edilmez.

Aleti belirtilen kullanım amaçları dışında herhangi bir başka amaç için kullanmayın.

#### KALAN TEHLİKELER

Usulüne uygun kullanım durumunda da bütün kalan riskler ortadan kaldırılamaz. Kullanım sırasında, kullanıcının özellikle dikkat etmesi gerektiği aşağıdaki tehlikeler oluşabilir:

- Titreşimden dolayı oluşan yaralanmalar. Cihazı bunun için öngörülen kullardan tutun ve çalışma ve maruz kalam sürelerini sınırlandırın.
- Gürültü yükü işitme zararlarına neden olabilir. Kulaklık takın ve maruz kalma süresini sınırlandırın.
- Kir parçacıklarından dolayı oluşan göz yaralanmaları. Daima koruyucu gözlük, sağlam uzun pantolon, eldiven ve sağlama ayakkabılar giyiniz.
- Zehirli tozların solunması.

#### LİTYUM İYON PİLLER İÇİN AÇIKLAMALAR

##### Lityum iyon pillerin kullanılması

Uzun süre kullanım dışı kalmış kartuş aküleri kullanmadan önce şarj edin.

50°C üzerindeki sıcaklıklar kartuş akünün performansını düşürür. Akünün güneş ışığı veya mekân sıcaklığı altında uzun süre ısınmasına dikkat edin.

Şarj cihazı ve kartuş aküdeki bağlantı noktalarını temiz tutun.

Akünün ömrünün mükemmel bir şekilde uzun olması için kullandıktan sonra tamamen doldurulması gerekir.

Ömrünün mümkün olduğu kadar uzun olması için akülerin yüklem yapıldıktan sonra doldurma cihazından uzaklaştırılması gerekir.

Akünün 30 günden daha fazla depolanması halinde:

Aküyü takriben 27°C'de kuru olarak depolayın.

Aküyü yüklem durumunun takriben % 30 - %50 olarak depolayın.

Aküyü her 6 ay yeniden doldurun.

##### Lityum iyon pillerin aşırı pil şarj koruması

Pek fazla elektrik tüketiminden dolayı, örneğin aşırı fazla devir momentleri, aniden durma veya kısa devre gibi aküye aşırı yüklenme durumunda elektro cihazı 5 saniye titreşir, yükleme göstergesi yanıp söner ve elektro cihaz kendiliğinden durur.

Yeniden çalıştırmak için şalter baskısını serbest bırakın ve bundan sonra tekrar çalıştırın. Akü aşırı yüklenmeden dolayı fazla ısınır. Bu durumda akü soğuyana kadar yüklem göstergesinin bütün lambaları yanıp söner. Gösterge lambalarının sönmelerinden sonra tekrar çalışmaya devam edilebilir.

##### Lityum iyon pillerin taşınması

Lityum iyon piller tehlikeli madde taşımacılığı hakkındaki yasal hükümler tabidir.

Bu piller, bölgesel, ulusal ve uluslararası yönetmeliklere ve hükümlere uyularak taşınmak zorundadır.

Tüketiciler bu pilleri herhangi bir özel şart aranmaksızın karayoluyla taşıyabilirler.

Lityum iyon pillerin nakliye şirketleri tarafından ticari taşımacılığı

için tehlikeli madde taşımacılığının hükümleri geçerlidir. Sevki hazırlığı ve taşıma sadece ilgili eğitimi görmüş personel tarafından gerçekleştirilebilir. Bütün süreç uzmanca bir refakatçilik altında gerçekleştirilmek zorundadır.

Pillerin taşınması sırasında aşağıdaki hususlara dikkat edilmesi gerekmektedir:

Kısa devre oluşmasını önlemek için kontakların korunmuş ve izole edilmiş olmasını sağlayınız.

Pil paketinin ambalajı içinde kaymamasına dikkat ediniz. Hasarlı veya akmış pillerin taşınması yasaktır. Ayrıca bilgiler için nakliye şirketinize başvurunuz.

#### ÇALIŞMA AÇIKLAMALARI

##### Aşırı Yük ve Geri Tepme Koruması

Cihaz Overload - ve Anti Kickback koruma fonksiyonlarına sahiptir ve fazla yüklenmesi halinde durur. İşe devam edebilmek için elektrikli cihazı kapatın ve yeniden çalıştırın.

##### Yumuşak ilk

Güvenli kullanım sağlayan elektronik yumuşak ilk hareket; alet çalıştırıldığında gere tepmeleri önler.

Klavuz delikli teker takılacak olan aletlerde, tekerdeki klavuzun mil uzunluğunu kabul edecek kadar uzun olmasına dikkat edin.

Kesme ve taşlama disklerini daima üreticinin talimatına uygun olarak kullanın ve saklayın.

Kaba taşlama ve kesme işleri sırasında daima koruyucu kapağı kullanın.

Bombeli taşlama diskleri, taşlama yüzeyi koruyucu kapak kenarı seviyesini aşmayacak şekilde monte edilmelidir.

Flanşlı somunu aleti işleme almadan önce iyice sıkın.

Daima ilave sapı kullanın.

Kendi ağırlığı ile güvenli biçimde durmuyorsa iş parçasının uygun bir tertibatla sıkıca tespit edilmesi gerekir. İş parçasını hiçbir zaman elinizle diske doğru tutmayın.

Makine çalıştırılmadan önce flanş somunu iyice sıkılmış olmalıdır. Kullanılan alet flanş somunu ile birlikte iyice sıkılmadığında, kullanılan takımın frenleme sırasında gereken germe kuvvetini kaybetmesi mümkündür.

#### TEMİZLENMESİ

Aletin havalandırma aralıklarını daima temiz tutun.





#### BAKIM

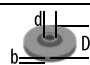
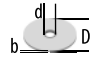

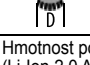
Sadece Milwaukee aksesuarı ve yedek parçası kullanın. Nasıl değiştirileceği açıklanmamış olan yapı parçalarını bir Milwaukee müşteri servisinde değiştirin (Garanti ve servis adresi broşürüne dikkat edin).

Gerektiği takdirde aletin dağınık görünüş şeması, alet tipinin ve tip etiketi üzerindeki sayının bildirilmesi koşuluyla müşteri servisinden veya doğrudan Techtronic Industries GmbH, Max-Eyth-Straße 10, 71364 Winnenden, Germany adresinden istenebilir.

#### SEMBOLLER

	Lütfen aleti çalıştırmadan önce kullanma kılavuzunu dikkatli biçimde okuyun.
	<b>DİKKAT! UYARI! TEHLİKE!</b>
	Aletin kendinde bir çalışma yapmadan önce kartuş aküyü çıkarın.
	Korkuluğu kesme işlemleri için kullanmayın.
	Güç kullanmayın.
	Kuvvet uygulayın.
	Aletle çalışırken daima koruyucu gözlük kullanın.
	Koruyucu kulaklık kullanın.
	Uygun bir koruyucu toz maskesi kullanın
	Koruyucu eldivenlerinizi takınız!
	Her zaman iki elle çalışın.
	Sadece taşlama işleri için.
	Sadece kesme işleri için.
	İzin verilen disk kalınlığına dikkat edin.
	Aksesuar - Teslimat kapsamında değildir, önerilen tamamlamalar aksesuar programında.
	Elektrikli cihazların evsel atıklarla birlikte bertaraf edilmesi yasaktır. Elektrikli ve elektronik cihazlar ayrılarak biriktirilmeli ve çevreye zarar vermeden bertaraf edilmeleri için bir atık değerlendirme tesisine götürülmelidirler. Yerel makamlara veya satıcınıza geri dönüşüm tesisleri ve atık toplama merkezlerinin yerlerini danışınız.
<b>n<sub>0</sub></b>	Devir sayısı
<b>V</b>	Voltaj
	Doğru akım

	Avrupa uyumluluk işareti
	Britanya uyumluluk işareti
	Ukrayna uyumluluk işareti
	Avrasya uyumluluk işareti

TECHNICKÁ DATA	M18 FSAG115X	M18 FSAG125X
Typ	Aku úhlová bruska	Aku úhlová bruska
Výrobní číslo	4830 49 01 XXXXXX MJJJ	4830 56 01 XXXXXX MJJJ
Napětí výměnného akumulátoru	18 V	18 V
Jmenovitá otáčky	8500 min <sup>-1</sup>	8500 min <sup>-1</sup>
Závit vřetene	M14	M14
D=Průměr brusného kotouče max.	115 mm	125 mm
d=ø otvoru	22,2 mm	22,2
 b= Tloušťka brusného kotouče max.	6 mm	6 mm
 b= Tloušťka rozbrušovacího kotouče max. / min.	3 mm / 1 mm	3 mm / 1 mm
 D= Průměr brusného kotouče max.	115 mm	125 mm
 D= miskovitě kartáče-ø max.	75 mm	75 mm
Hmotnost podle prováděcího předpisu EPTA 01/2014 (Li-Ion 2,0 Ah ... 12,0 Ah)	2,4 ... 3,4 kg	2,4 ... 3,5 kg
Doporučená teplota okolí pro provoz	-18 ... +50 °C	
Doporučené akupaky	M18B...; M18HB...	
Doporučené nabíječky	M12-18...; M1418C6	

**Informace o hluku:** Naměřené hodnoty odpovídají EN 60745. V třídě A posuzovaná hladina hluku přístroje činí typicky:

Hladina akustického tlaku / Kolísavost K	82,7 dB(A) / 3 dB(A)	82,7 dB(A) / 3 dB(A)
Hladina akustického výkonu / Kolísavost K	93,7 dB(A) / 3 dB(A)	93,7 dB(A) / 3 dB(A)

**Použijte chrániče sluchu !**

**Informace o vibracích:** Celkové hodnoty vibrací (vektorový součet tří směrů) zjištěnéve smyslu EN 60745.

Hodnota vibračních emisí a<sub>n</sub> / Kolísavost K

Broušení povrchů	4,8 m/s <sup>2</sup> / 1,5 m/s <sup>2</sup>	5,5 m/s <sup>2</sup> / 1,5 m/s <sup>2</sup>
Broušení pomocí brusného listu	1,1 m/s <sup>2</sup> / 1,5 m/s <sup>2</sup>	1,9 m/s <sup>2</sup> / 1,5 m/s <sup>2</sup>

U jiných aplikací, např. při rozbrušování nebo broušení ocelovým drátěným kartáčem mohou vznikat vibrace jiných hodnot!


## **VAROVÁNÍ!**

Hladina vibrací a emisí hluku uvedená v tomto informačním listu byla měřena v souladu se standardizovanou zkouškou uvedenou v normě EN 60745 a může být použita ke srovnání jednoho nástroje s jiným. Může být použita k předběžnému posouzení expozice.

Deklarovaná úroveň vibrací a emisí hluku představuje hlavní použití nástroje. Pokud se však nástroj používá pro různé aplikace, s různým příslušenstvím nebo s nedostatečnou údržbou, mohou se vibrace a emise hluku lišit. To může výrazně zvýšit úroveň expozice v průběhu celé pracovní doby.

Odhad úrovně expozice vibracím a hluku by měl také vzít v úvahu dobu, kdy je nástroj vypnutý nebo když běží, ale ve skutečnosti neprovádí úlohu. To může výrazně snížit úroveň expozice v průběhu celé pracovní doby.

Identifikujte dodatečná bezpečnostní opatření k ochraně pracovníka obsluhy před účinky vibrací a/nebo hluku, například: údržba nástroje a příslušenství, udržování rukou v teple, organizace pracovních schémat.

** **VAROVÁNÍ!**** Seznamte se se všemi bezpečnostními pokyny a sice i s pokyny. Zanedbání při dodržování varovných upozornění a pokynů mohou mít za následek úder elektrickým proudem, požár a ebo těžká poranění.

**Všechna varovná upozornění a pokyny do budoucna uschovejte.**

## **BEZPEČNOSTNÍ POKYNY PRO ÚHLOVÉ BRUSKY**

**Společná varovná upozornění k broušení, smírkování, práci s drátěnými kartáči, leštění a dělení:**

**a) Toto elektronářadí se používá jako bruska, bruska brusným papírem, kartáčovačka, dělicí bruska. Dbejte všech varovných upozornění, pokynů, zobrazení a údajů, jež jste s elektronářadím obdrželi. Pokud následující pokyny nedodržíte, může to vést k úderu elektrickým proudem, požáru nebo těžkým poraněním.**

**b) Toto elektronářadí není vhodné k leštění.** Použití tohoto elektrického nářadí k jiným než určeným účelům může vést k ohrožení zdraví a ke zranění.

**c) Nepoužívejte žádné příslušenství, které není výrobcem speciálně pro toto elektronářadí určeno a doporučeno.** Pouze to, že můžete příslušenství na Vaše elektronářadí upevnit, nezaručuje bezpečné použití.

**d) Přípustný počet otáček vkládaného nástroje musí být minimálně stejně vysoký jako maximální počet otáček uvedený na elektrickém nářadí.** Příslušenství, které se točí rychleji, než je přípustné, se může rozbit a rozletět do okolí.

**e) Vnější rozměr a tloušťka nasazovacího nástroje musí odpovídat rozměrovým údajům Vašeho elektronářadí.** Špatně dimenzované nasazovací nástroje nemohou být dostatečně stíněny nebo kontrolovány.



f) Závity dílů příslušenství se musí shodovat se závitem vřeten brusného kotouče. U části příslušenství, které se mají připojit pomocí přírub, se musí sjednotit otvor pro upínací trn na dílu příslušenství s průměrem lokalizační příruby.

Díly příslušenství, které se nehodí na montážní trn přístroje, běžící excentricky, velmi silně vibrují a mohou vést ke ztrátě kontroly nad nářadím.

g) **Nepoužívejte žádné poškozené nasazovací nástroje.** Zkontrolujte před každým použitím nasazovací nástroje jako brusné kotouče na odstěpky a trhliny, brusné talíře na trhliny, otěr nebo silné opotřebení, drátěné kartáče na uvolněné nebo zlomené dráty. Spadne-li elektronářadí nebo nasazovací nástroj z výšky, zkontrolujte zda není poškozený nebo použijte nepoškozený nasazovací nástroj. Pokud jste nasazovací nástroj zkontrolovali a nasadili, držte se Vy a v blízkosti nacházející se osoby mimo rovinu rotujícího nasazovacího nástroje a nechte stroj běžet jednu minutu s nejvyššími otáčkami. Poškozené nasazovací nástroje většinou v této době testování prasknou.

h) **Noste osobní ochranné vybavení.** Podle aplikace použijte ochranu celého obličeje, ochranu očí nebo ochranné brýle. Taktéž adekvátně noste ochrannou masku proti prachu, ochranu sluchu, ochranné rukavice nebo speciální zástěru, jež Vás ochrání před malými částicemi brusiva a materiálu. Oči mají být chráněny před odletujícími cizími tělisky, jež vznikají při různých aplikacích. Protiprachová maska či respirátor musejí při používání vnikající prach odfiltrovat. Pokud jste dlouho vystaveni silnému hluku, můžete utrpět ztrátu sluchu.

i) **Dbejte u ostatních osob na bezpečnou vzdálenost k Vaší pracovní oblasti.** Každý, kdo vstupuje do této pracovní oblasti, musí nosit osobní ochranné vybavení. Úlomky obrobku nebo uvolněných nasazovacích nástrojů mohou odletnout a způsobit poranění i mimo přímou pracovní oblast.

j) **Při provádění prací, při kterých nástroj může narazit na skryta elektrická vedení, držte přístroj za izolované přídržovací plochy.** Kontakt řezného nástroje s vedením pod napětím může vést k přenosu napětí na kovové části přístroje a k úrazu elektrickým proudem.

k) **Elektrické nářadí nesmíte nikdy odložit dříve, než se vložený nástroj zcela zastaví.** Otáčející se nasazovací nástroj se může dostat do kontaktu s odkládací plochou, čímž můžete ztratit kontrolu nad elektronářadím.

l) **Nenechte elektronářadí běžet po dobu, co jej nesete.** Váš oděv může být náhodným kontaktem s otáčejícím se nasazovacím nástrojem zachycen a nasazovací nástroj se může zavrtat do Vašeho těla.

m) **Čistěte pravidelně větrací otvory Vašeho elektronářadí.** Ventilátor motoru vtahuje do tělesa prach a silné nahromadění kovového prachu může způsobit elektrická rizika.

n) **Nepoužívejte elektronářadí v blízkosti hořlavých materiálů.** Jiskry mohou tyto materiály zapálit.

o) **Nepoužívejte žádné nasazovací nástroje, které vyžadují kapalnou chladicí prostředky.** Použití vody nebo jiných kapalných chladicích prostředků může vést k úderu elektrickým proudem.

#### Zpětný ráz a odpovídající varovná upozornění

Zpětný ráz je náhlá reakce v důsledku zaseknutého nebo zablokovaného otáčejícího se nasazovacího nástroje, jako je brusný kotouč, brusný talíř, drátěný kartáč atd. Zaseknutí nebo zablokování vede k náhlému zastavení rotujícího nasazovacího nástroje. Tím nekontrolovaně elektronářadí akceleruje v místě zablokování proti směru otáčení nasazovacího nástroje.

Pokud se např. zpřičí nebo zablokuje brusný kotouč v obrobku, může se hrana brusného kotouče, která se zanořuje do obrobku, zakousnout a tím brusný kotouč vylomit nebo způsobit zpětný ráz. Brusný kotouč se potom pohybuje k nebo od obsluhující osoby, podle směru otáčení kotouče na místě zablokování. Při tom mohou brusné kotouče i prasknout.

Zpětný ráz je důsledek nesprávného nebo chybného použití elektronářadí. Lze mu zabránit vhodnými preventivními opatřeními, jak je následně popsáno.

a) **Držte elektronářadí dobře pevně a uveďte Vaše tělo a paže do polohy, ve které můžete zachytit síly zpětného rázu.** Je-li k dispozici, použijte vždy přidavnou rukojeť, abyste měli co největší možnou kontrolu nad silami zpětného rázu nebo reakčních momentů při rozběhu. Obsluhující osoba může vhodnými preventivními opatřeními zvládnout síly zpětného rázu a reakčního momentu.

b) **Nikdy nedávejte Vaši ruku do blízkosti otáčejících se nasazovacích nástrojů.** Příslušenství se může zpětně odrazit přes Vaše ruce.

c) **Vyhýbejte se Vaším tělem oblasti, kam se bude elektronářadí při zpětném rázu pohybovat.** Zpětný ráz vhná elektronářadí v místě zablokování do opačného směru k pohybu brusného kotouče.

d) **Zvlášť opatrně pracujte v místech rohů, ostrých hran apod.** Zabraňte, aby se nasazovací nástroj odrazil od obrobku a vzpřičil. Rotující nasazovací nástroj je u rohů, ostrých hran a pokud se odrazí náhylný na vzpřičení se. Toto způsobí ztrátu kontroly nebo zpětný ráz.

e) **Nepoužívejte řetězový ani ozubený pilový list.** Takovéto vložené nástroje často způsobují zpětný ráz nebo ztrátu kontroly nad elektrickým přístrojem.

#### Zvláštní varovná upozornění k broušení a dělení

a) **Používejte výhradně pro Vaše elektronářadí schválená brusná tělesa a pro tato brusná tělesa určený ochranný kryt.** Brusná tělesa, která nejsou určena pro toto elektronářadí, nemohou být dostatečně stíněna a jsou nespolehlivá.

b) **Brusné kotouče s vypouklým středem se musí namontovat tak, aby jejich brusná plocha nepřesahovala přes plochu okraje ochranného krytu.** Neodborně namontovaný brusný kotouč, který přechází přes plochu okraje ochranného krytu, nemůže být dostatečně chráněn.

c) **Používejte vždy ten ochranný kryt, jež je určen pro použití druh brusného tělesa. Ochranný kryt musí být bezpečně na elektronářadí namontován a nastaven tak, aby bylo dosaženo maximální míry bezpečnosti, tzn. nejmenší možný díl brusného tělesa ukazuje nekrytý k obsluhující osobě.** Ochranný kryt pomáhá chránit pracovníka obsluhu před úlomky zlomeného kotouče, před náhodným kontaktem s kotoučem a před jiskrami, které by mohly zapálit oblečení.

d) **Brusná tělesa smějí být použita pouze pro doporučené možnosti nasazení.** Např.: nikdy neberte boční plochou děličím kotouče. Děličím kotoučům jsou určeny k úběru materiálu hranou kotouče. Boční působení síly na tato brusná tělesa je může rozlámat.

e) **Používejte vždy nepoškozené upínací příruby ve správné velikosti a tvaru pro Vámi zvolený brusný kotouč.** Vhodné příruby podírají brusný kotouč a zmiřují tak nebezpečí prasknutí brusného kotouče. Příruby pro děličím kotouče se mohou odlišovat od přírub pro jiné brusné kotouče.

f) **Nepoužívejte žádné opotřebené brusné kotouče od většího elektronářadí.** Brusné kotouče pro větší elektronářadí nejsou dimenzovány pro vyšší otáčky menších elektronářadí a mohou prasknout.

#### Další zvláštní varovná upozornění k dělení

a) **Zabraňte zablokování děličím kotoučem nebo příliš vysokému přítlačku. Neprovádějte žádné nadměrné hluboké řezy.** Přetížení děličím kotouče zvyšuje jeho namáhání a náhylnost ke vzpřičení nebo zablokování a tím možnost zpětného rázu nebo prasknutí brusného tělesa.

b) **Vyhýbejte se oblasti před a za rotujícím děličím kotoučem.** Pokud pohybujete děličím kotoučem v obrobku pryč od sebe, může být v případě zpětného rázu elektronářadí s otáčejícím se kotoučem vymrštno přímo na Vás.

c) **Jestliže děličím kotouč uvidíte nebo práci přerušíte, elektronářadí vypněte a vydržte v kľidu než se kotouč zastaví. Nikdy se nepokoušejte ještě běžící děličím kotouč vytáhnout z řezu, jinak může následovat zpětný ráz.** Zjistěte a odstraňte příčinu uvíznutí.

d) **Elektronářadí opět nezapínejte, dokud se nachází v obrobku. Nechte děličím kotouč nejprve dosáhnout svých plných otáček, než budete v řezu opatrně pokračovat.** Jinak se může kotouč zaseknout, vyskočit z obrobku nebo způsobit zpětný ráz.

e) **Desky nebo velké obrobky podepřete, aby se zabránilo riziku zpětného rázu od sevrěného děličím kotouče.** Velké obrobky se mohou pod svou vlastní hmotností prohnut. Obrobek musí být podepřen na obou stranách a to jak v blízkosti děličím řezu tak i na okraji.

f) **Buďte zejména opatrní při tzv. „kapsových řezech“ do stávajících stěn a ve špatně viditelných úsecích.** Zanořující se děličím kotouč může při zařazení do plynových, vodovodních či elektrických vedení nebo jiných objektů způsobit zpětný ráz.

#### Zvláštní varovná upozornění ke smírkování:

a) **Nepoužívejte žádné předimenzované brusné listy, ale dodržujte údaje výrobce k velikosti brusných listů.** Brusné listy, které vyčnívají přes brusný talíř, mohou způsobit poranění a telybést k zablokování, roztržení brusných listů nebo ke zpětnému rázu.

#### Zvláštní varovná upozornění k práci s drátěnými kartáči:

a) **Přihlédněte ke skutečnosti, že drátěný kartáč ztrácí kousky drátu i při běžném provozu. Nezatěžujte dráty proto příliš vysokým přítlačným tlakem.** Odletující kousky drátu mohou lehce proniknout skrz tenký oděv a/nebo kůži.

b) **Je-li doporučeno ochranný kryt, zabraňte, aby se ochranný kryt a drátěný kartáč mohly dotýkat.** Talířové a hrncové kartáče mohou díky přítlačku a odstředivým silám zvětšit svůj průměr.

#### DALŠÍ BEZPEČNOSTNÍ A PRACOVNÍ POKYNY

Před zapnutím nástroje vždy zkontrolujte zcela uvolněné tlačítko zámku vřeten! Po použití zámku vřeten a utažení / uvolnění brusného kotouče je možné, že se tlačítko může přilepit v uzamčené poloze.

Při broušení kovů odletují jiskry. Dbejte, aby nedošlo k poškození osob. V blízkosti (kam zaletují jiskry) se nesmí nacházet žádné hořlavé látky - nebezpečí požáru. Nepoužívejte odsavač prachu. Předcházejte tomu, aby se odletující jiskry a brusný prach dostaly do kontaktu s tělem.

Nesahejte do nebezpečného prostoru běžícího stroje.

Pokud stroj běží, nesmí být odstraňovány třísky nebo odstěpky.

Stroj okamžitě vypněte, zjistíte-li neobvyklé vibrace nebo jiné problémy. Stroj přezkoušejte, abyste zjistili příčinu problémů.

Za extrémních podmínek (např. hladké broušení kovů s opěrným talířem a brusným kotoučem s vulkanizovanými vláknky) se může ve vnitřní části stopkové brusky nahromadit značné množství nečistot.

Vzhledem k nebezpečí zkratu se nesmí dostat do odvětrávací mezery kovy.

VAROVÁNÍ! Nebezpečí popálení! Kotouč a obrobek se během používání zahřívají. Při výměně kotouče nebo při dotyku s obrobkem použijte rukavice. Ruce držte vždy mimo oblast broušení.

VAROVÁNÍ! Abyste zabránili nebezpečí požáru způsobeného zkratem, poraněním nebo poškozením výrobku, neponořujte nářadí, výměnnou baterii nebo nabíječku do kapalín a zajistěte, aby do zařízení a akumulátorů nevnikly žádné tekutiny. Korodující nebo vodivé kapaliny, jako je slaná voda, určité chemikálie a běličí prostředky nebo výrobky, které obsahují bělidlo, mohou způsobit zkrat.

Náhradní akumulátory ani nabíječku neotvírejte, skladujte je v suchu, chraňte před vlhkem.

Akumulátor systému M18 nabíjejte pouze nabíječkou systému M18. Nenabíjejte akumulátory jiných systémů.

#### OBLAST VYUŽITÍ

Úhlová bruska je určena na broušení a řezání kovových, kamenných, betonových a keramických materiálů, jakož i pískové broušení a broušení drátěným kartáčem.

Používejte řezný ochranný kryt z řady příslušenství pro řezání aplikace.

Ve sporném případě seřídte pokyny výrobce příslušenství.

Toto elektrické nářadí je vhodné pouze pro suché obrábění.

Do úhlové brusky byste měli montovat pouze vhodné brusné nebo řezné kotouče a příslušné ochranné kryty (ochranný kryt při broušení nebo řezání), jak je popsáno v části specifikace výrobku v této příručce. Úhlová bruska je určena na ruční používání; nesmí být namontována na upínací přípravek ani na pracovní stůl.

Nepoužívejte výrobek jiným způsobem, než jaký je uveden pro zamýšlené použití.

#### ZBÝVAJÍCÍ RIZIKA

Ani při řádném používání není možné vyloučit všechna zbývajících rizika. Při používání mohou vzniknout níže uvedené rizika, na která by měla obsluha dávat zvlášť pozor:

- Poranění způsobená vibrací. Přístroj držte pouze za určená držadla a omezte čas práce a expozice.
- Zatižení hlukem může vést k poškození sluchu. Noste ochrannou sluchu a omezte dobu expozice.
- Poranění očí způsobená částicemi nečistot. Noste vždy ochranné brýle, pevně dlouhé kalhoty, rukavice a pevnou obuv.
- Vdechnutí jedovatých druhů prachu.

#### UPOZORNĚNÍ NA LITHIUM-IONTOVÉ BATERIE

##### Použití lithium-iontových baterií

Déle nepoužívané akumulátory je nutné před použitím znovu nabít. Teplota přes 50°C snižuje výkon akumulátoru. Chraňte před dlouhým přehříváním na slunci či u topení.

Kontakty nabíječky a akumulátoru udržujte v čistotě.

Pro optimální životnost je nutné akumulátory po použití plně dobít.

K zabezpečení dlouhé životnosti by se akumulátory měly po nabití vyjmout z nabíječky.

Při skladování akumulátoru po dobu delší než 30 dní:

Skladujte akumulátor v suchu při cca 27°C.

Skladujte akumulátor při cca 30%-50% nabíjecí kapacity.

Opakujte nabíjení akumulátoru každých 6 měsíců.

##### Ochrana proti přetížení u lithium-iontových baterií

Při přetížení akumulátoru příliš vysokou spotřebou proudu, například při extrémně vysokém kroučícím momentu, začne elektrické nářadí po dobu 5 sekund vibrovat, indikátor dobíjení začne blikat a motor se následně samočinně vypne.

K opětnému zapnutí uvolníte a následně opět stisknete tlačítko vypínače. Při extrémním zatížení dochází k příliš vysokému ohřevu akumulátoru. V tomto případě začnou blikat všechny kontrolky indikátoru dobíjení a blikají tak dlouho, dokud se akumulátor opět neochladí. V okamžiku, kdy indikátor dobíjení přestane blikat, je možné v práci opět pokračovat.

##### Přeprava lithium-iontových baterií

Lithium-iontové baterie spadají podle zákonných ustanovení pod přepravu nebezpečného nákladu.

Přeprava těchto baterií se musí realizovat s dodržováním lokálních, vnitrostátních a mezinárodních předpisů a ustanovení.

Spotřebitelé mohou tyto baterie bez problémů přepravovat po komunikacích.

Komerční přeprava lithium-iontových baterií prostřednictvím přepravních firem podléhá ustanovením o přepravě nebezpečného nákladu. Přípravu k vyexpedování a samotnou přepravu směřující vykonávat při příslušné vyškolené osoby. Na celý proces se musí odborně dohlížet.

Při přepravě baterií je třeba dodržovat následující:

Zajistěte, aby kontakty byly chráněné a izolované, aby se zamezilo zkratům.

Dávejte pozor na to, aby se svazek baterií v rámci balení nemohl sesmeknout. Poškozené a vytekající baterie se nesmějí přepravovat. Ohledně dalších informací se obraťte na vaši přepravní firmu.

## PRACOVNÍ POKYNY

### Ochrana proti přetížení a zpětnému rázu

Stroj je vybaven ochranou proti přetížení a proti zpětnému nárazu a při přetížení se automaticky vypne. Vypněte elektronádradi a následně ho zapněte, abyste mohli pokračovat v práci.

### Řízený měkký rozběh

Elektronicky řízený měkký rozběh pro bezpečnější použití stroje zabraňuje i thavému pohybu při rozběhu stroje.

U brusiva vybaveného podložkou se závitem zajistit, aby byl závit dostatečně dlouhý pro hřídel.

Rozbrušovací a brusné kotouče používejte a skladujte podle doporučení výrobce.

Při hrubování a řezání vždy používejte ochranný kryt kotouče.

Brusné kotouče s vypouklým středem se musí namontovat tak, aby jejich brusná plocha nepřesahovala přes plochu okraje ochranného krytu.

Upínací matice kotouče musí být před spuštěním stroje utažená.

Vždy používejte doplňkové maadlo.

Obráběný kus musí být řádně upnut, není-li dostatečně těžký.

Přírubová matice musí být před uvedením stroje do provozu pevně dotažená. Pokud by se používaný nástroj pevně nedotáhnul pomocí přírubové matice, bylo by možné, že používaný nástroj při zabrzdění ztratí nutnou přítláčnou sílu.

## ČISTĚNÍ

Větrací štěrby nádradi udržujeme stále čisté.

## ÚDRŽBA

Používat výhradně příslušenství Milwaukee a náhradní díly Milwaukee. Díly jejichž výměny nebyla popsána, nechte vyměnit v autorizovaném servisu (viz "Záruky / Seznam servisních míst").

Při potřebě podrobného rozkresu konstrukce, oslovte informaci o typu a čísle přímo servis a nebo výrobce, Techtronic Industries GmbH, Max-Eyth-Straße 10, 71364 Winnenden, Germany.

## SYMBOLY

	Před spuštěním stroje si pečlivě pročtete návod k používání.
	POZOR! VAROVÁNÍ! NEBEZPEČÍ!
	Před zahájením veškerých prací na vrtacím šroubovákú vyjmout výměnný akumulátor.
	Ochranný kryt nepoužívejte při řezání.
	Nepoužívejte sílu.
	Použijte sílu.
	Při práci se strojem neustále nosit ochranné brýle.

	Používejte chrániče sluchu.
	Používejte při práci vhodnou ochranou masku.
	Používejte ochranné rukavice!
	Pracujte vždy oběma rukama.
	Pouze na broušení.
	Pouze na řezání.
	Věnujte pozornost přípustné tloušťce kotouče.
	Příslušenství není součástí dodávky, viz program příslušenství.
	Elektrické přístroje se nesmí likvidovat společně s odpadem z domácností. Elektrické a elektronické přístroje je třeba sbírat odděleně a odevzdat je v recyklačním podniku na ekologickou likvidaci. Na místních úřadech nebo u vašeho specializovaného prodejce se informujte na recyklační podniky a sběrné dvory.
	Jmenovité otáčky napětí
	Stejnoseměrný proud
	Značka shody v Evropě
	Značka shody v Británii
	Značka shody na Ukrajině
	Značka shody pro oblast Eurasie

## TECHNICKÉ ÚDAJE

	M18 FSAG115X	M18 FSAG125X	
Typ	Akumulátorová uhlová bruska	Akumulátorová uhlová bruska	
Výrobné číslo	4830 49 01 XXXXXX MJJJJ	4830 56 01 XXXXXX MJJJJ	
Napátie výmenného akumulátora	18 V	18 V	
Menovitý počet obrátok	8500 min <sup>-1</sup>	8500 min <sup>-1</sup>	
Závit vretena	M14	M14	
D=Priemer brúsneho kotúča max.	115 mm	125 mm	
d=ø otvoru	22,2 mm	22,2	
	b=Hrúbka brúsneho kotúča max.	6 mm	6 mm
	b=Hrúbka rozbrusovacieho kotúča max. / min.	3 mm / 1 mm	3 mm / 1 mm
	D=Priemer brúsneho kotúča max.	115 mm	125 mm
	D=miskovitý kefy-ø max.	75 mm	75 mm
Hmotnosť podľa vykonávacieho predpisu EPTA 01/2014 (Li-Ion 2,0 Ah ... 12,0 Ah)	2,4 ... 3,4 kg	2,4 ... 3,5 kg	
Odporúčaná teplota okolia pre prevádzku	-18 ... +50 °C		
Odporúčané akupaky	M18B...; M18HB...		
Odporúčané nabíjačky	M12-18...; M1418C6		
<b>Informácia o hluku:</b> Namerané hodnoty určené v súlade s EN 60745. V triede A posudzovaná hladina hluku prístroja činí typicky:			
Hladina akustického tlaku / Kolísavosť K	82,7 dB(A) / 3 dB(A)	82,7 dB(A) / 3 dB(A)	
Hladina akustického výkonu / Kolísavosť K	93,7 dB(A) / 3 dB(A)	93,7 dB(A) / 3 dB(A)	
<b>Používajte ochranu sluchu!</b>			
<b>Informácie o vibráciách:</b> Celkové hodnoty vibrácií (vektorový súčet troch smerov) zistených zmysle EN 60745.			
Hodnota vibračných emisií a <sub>n</sub> / Kolísavosť K			
Brúsenie povrchov	4,8 m/s <sup>2</sup> / 1,5 m/s <sup>2</sup>	5,5 m/s <sup>2</sup> / 1,5 m/s <sup>2</sup>	
Brúsenie pomocou brúsneho listu	1,1 m/s <sup>2</sup> / 1,5 m/s <sup>2</sup>	1,9 m/s <sup>2</sup> / 1,5 m/s <sup>2</sup>	

U iných aplikácií, napr. pri rozbrusovaní alebo brúsení oceľovou drôtenou kefovú môžu vzniknúť vibrácie iných hodnôt!

## POZOR!

Úroveň vibrácií a emisií hluku uvedená v tomto informačnom liste bola meraná v súlade so štandardizovanou skúškou uvedenou v EN 60745 a môže sa použiť na porovnanie jedného nástroja s druhým. Môže sa použiť v predbežnom posúdení expozície.

Deklarovaná úroveň vibrácií a emisií hluku predstavuje hlavné aplikácie nástroja. Ak sa však nástroj používa pre rôzne aplikácie, s rôznym príslušenstvom alebo s nedostatočnou údržbou, môžu sa vibrácie a emisie hluku líšiť. To môže výrazne zvýšiť úroveň expozície počas celej pracovnej doby.

Odhad úrovne expozície vibráciám a hluku by mal tiež brať do úvahy čas, keď je nástroj vypnutý alebo keď beží, ale v skutočnosti nevykonáva prácu. To môže výrazne znížiť úroveň expozície počas celej pracovnej doby.

Identifikujte dodatočné bezpečnostné opatrenia na ochranu pracovníka obsluhy pred účinkami vibrácií a/alebo hluku, ako je: údržba nástroja a príslušenstva, udržanie teplých rúk, organizácia pracovných schém.

## POZOR!

Zoznámte sa so všetkými bezpečnostnými pokynmi. Zanedbanie dodržiavania Výstražných upozornení a pokynov uvedených v nasledujúcom texte môže mať za následok zásah elektrickým prúdom, spôsobiť požiar a/alebo ťažké poranenie.

Tieto **Výstražné upozornenia a bezpečnostné pokyny starostlivo uschovajte na budúce použitie.**

## BEZPEČNOSTNÉ POKYNY PRE UHLOVÉ BRÚSKY

**Bezpečnostné pokyny pre brúsenie, brúsenie brusným papierom, pre prácu s drôtenou kefovú, leštenie a rezanie:**

a) Toto ručné elektrické náradie sa používa ako bruska, ako bruska na brúsenie skleneným papierom, ako drôtená kefa a ako náradie na rezanie. Rešpektujte všetky výstražné upozornenia, pokyny, obrázky a údaje, ktoré ste dostali s týmto ručným elektrickým náradím. Ak by ste nedodržali nasledujúce pokyny, mohlo by to mať za následok zásah elektrickým prúdom, vznik požiaru a/alebo vážne poranenie.

b) Toto ručné elektrické náradie nie je vhodné na leštenie. Použitie tohto elektrického náradia k iným než určeným účelom môže viesť k ohrozeniu zdravia a k zraneniu.

c) **Nepoužívajte žiadne také príslušenstvo, ktoré nebolo výrobcom určené a odporúčané špeciálne pre toto ručné elektrické náradie.** Okolnosť, že príslušenstvo sa dá na ručné elektrické náradie upevniť, ešte neznamená, že to zaručuje jeho bezpečné používanie.

d) **Pripustné otáčky pracovného nástroja musia byť minimálne také vysoké ako najvyššie otáčky uvedené na elektrickom náradí.** Príslušenstvo, ktoré sa otáča rýchlejšie, sa môže zlomiť a rozletieť.

e) **Vonkajší priemer a hrúbka pracovného nástroja musia zodpovedať rozmerovým údajom uvedeným na ručnom elektrickom náradí.** Nesprávne dimenzované pracovné nástroje nemôžu byť dostatočne odclonené a kontrolované.

**f) Závitý dielov príslušenstva sa musia zhodovať so závitom vretena brúsneho kotúča. Pri častiach príslušenstva, ktoré sa majú pripojiť pomocou príruby, sa musí zosúladiť otvor pre upínací trn na diele príslušenstva s priemerom lokalizačnej príruby. Diely príslušenstva, ktoré sa nehodia na montážny trn prístroja, bežia excentricky, veľmi silno vibrujú a môžu viesť k strate kontroly nad náradím.**

**g) Nepoužívajte žiadne poškodené pracovné nástroje. Pred každým použitím tohto ručného elektrického náradia skontrolujte, či nie sú pracovné nástroje, ako napr. brúsne kotúče, vyštrbené alebo vylomené, či nemajú brúsne tanierne vylomené miesta, trhliny alebo miesta intenzívneho opotrebovania, či nie sú na drôtených kefách uvoľnené alebo poľamané drôty. Keď ručné elektrické náradie alebo pracovný nástroj spadli na zem, prekontrolujte, či nie sú poškodené, alebo použite nepoškodený pracovný nástroj. Keď ste prekontrolovali a upli pracovný nástroj, zabezpečte, aby ste neboli v rovine rotujúceho nástroja, a aby sa tam ani nenachádzali žiadne iné osoby, ktoré sú v blízkosti Vášho pracoviska, a nechajte ručné elektrické náradie bežať jednu minútu na maximálne obrátky. Poškodené pracovné nástroje sa obvyčajne počas tejto doby testovania zlomia.**

**h) Používajte osobné ochranné prostriedky. Podľa druhu použitia náradia používajte ochranný štít na celú tvár, štít na oči alebo ochranné okuliare. Pokiaľ je to primerané, používajte ochrannú dýchaciu masku, chrániče sluchu, pracovné rukavice alebo špeciálnu zásteru, ktorá Váš chráni pred odtelujúcimi drobnými čistočkami brusiva a obrábaného materiálu. Predovšetkým oči treba chrániť pred odtelujúcimi cudzími telieskami, ktoré vznikajú pri rôznom spôsobe používania náradia. Ochrana proti prachu alebo ochranná dýchacia maska musia predovšetkým odfiltrovať konkrétny druh prachu, ktorý vzniká pri danom druhu použitia náradia. Keď je človek dlhšiu dobu vystavený hlasnému hluku, môže utrpieť stratu sluchu.**

**i) Zabezpečte, aby sa iné osoby nachádzali v bezpečnej vzdialenosti od Vášho pracoviska. Každá osoba, ktorá vstúpi do pracovného dosahu náradia, musí byť vybavená osobnými ochrannými pomôckami. Úlomky obrobku alebo zlomený pracovný nástroj môžu odletieť a spôsobiť poranenie osôb aj mimo priameho pracoviska.**

**j) Pri realizovaní prác, pri ktorých nástroj môže naraziť na skryté elektrické vedenia, držte prístroj za izolované pridrôzovacie plošky. Kontakt rezného nástroja s vedením pod napätím môže viesť k prenosu napätia na kovové časti prístroja a k úrazu elektrickým prúdom.**

**k) Elektrické náradie nikdy neodkladajte skôr, ako sa pracovný nástroj úplne zastaví. Rotujúci pracovný nástroj sa môže dostať do kontaktu s odkladacou plochou, následkom čoho by ste mohli stratiť kontrolu nad ručným elektrickým náradím.**

**l) Nikdy nemajte ručné elektrické náradie zapnuté vtedy, keď ho prenášate na iné miesto. Náhodným kontaktom Vašich vlasov alebo Vášho oblečenia s rotujúcim pracovným nástrojom by sa Vám pracovný nástroj mohol zavrtáť do tela.**

**m) Pravidelne čistíte vetracie otvory svojho ručného elektrického náradia. Ventilátor motora vťahuje do telesa náradia prach a veľké nahromadenie kovového prachu by mohlo spôsobiť vznik nebezpečného zrážahu elektrickým prúdom.**

**n) Nepoužívajte toto ručné elektrické náradie v blízkosti horľavých materiálov. Odtelujúce iskry by mohli tieto materiály zapáliť.**

**o) Nepoužívajte žiadne také pracovné nástroje, ktoré potrebujú chladenie kvapalinou. Používanie vody alebo iných tekutých chladiacich prostriedkov môže mať za následok zláhan elektrickým prúdom.**

#### Spätný ráz a príslušné výstražné upozornenia

Spätný ráz je náhlu reakciou náradia na vzpričený, zaseknutý alebo blokujúci pracovný nástroj, napríklad brúsny kotúč, brúsny tanier, drôtená kefa a pod. Zaseknutie alebo zablokovanie vedie k náhlemu zastaveniu rotujúceho pracovného nástroja. Takýmto spôsobom sa nekontrolované ručné elektrické náradie rozkrúti na zablokovanom mieste proti smeru otáčania pracovného nástroja.

Keď sa napríklad brúsny kotúč vzpriechi alebo zablokuje v obrobku, môže sa hrana brúsneho kotúča, ktorá je zapichnutá do obrobku, zachytiť v materiáli a tým sa vylomiť z brúsneho taniera, alebo spôsobiť spätný ráz náradia. Brúsny kotúč sa potom pohybuje smerom k osobe alebo smerom preč od nej podľa toho, aký bol smer otáčania kotúča na mieste zablokovania. Brúsne kotúče sa môžu v takomto prípade aj rozlomiť.

Spätný ráz je následkom nesprávneho a chybného používania ručného elektrického náradia. Vhodnými preventívnymi opatreniami, ktoré popisujeme v nasledujúcom texte, mu možno zabrániť.

**a) Ručné elektrické náradie vždy držte pevne a svoje telo a ruky udržiavajte vždy v takej polohe, aby ste vydržali prípadný spätný ráz náradia. Pri každej práci používajte prídavnú rukoväť, ak ju máte k dispozícii, aby ste mali čo najväčšiu kontrolu nad silami spätného rázu a reakčnými momentmi pri rozbehu náradia. Pomocou vhodných opatrení môže obsluhujúca osoba sily spätného rázu a sily reakčných momentov zvládnuť.**

**b) Nikdy nedávajte ruku do blízkosti rotujúceho pracovného nástroja. Príslušenstvo sa môže spätné odraziť ponad Vaše ruky.**

**c) Nemajte telo v priestore, do ktorého by sa mohlo ručné elektrické náradie v prípade spätného rázu vymrštiť. Spätný ráz vymršti ručné elektrické náradie proti smeru pohybu brúsneho kotúča na mieste blokovania.**

**d) Mimoriadne opatrne pracujte v oblasti rohov, ostrých hrán a pod. Zabráňte tomu, aby obrobok vymrštil pracovný nástroj proti Vám, alebo aby sa v ňom pracovný nástroj zablokoval. Rotujúci pracovný nástroj má sklon zablokovať sa v rohoch, na ostrých hranách alebo vtedy, keď je vyhodnený. To spôsobí stratu kontroly nad náradím alebo jeho spätný ráz.**

**e) Nepoužívajte žiadny reťazový alebo ozubený pilový list. Takého pracovné nástroje spôsobujú často spätný ráz alebo stratu kontroly nad elektrickým náradím.**

#### Osobitné bezpečnostné predpisy pre brúsenie a rezanie

**a) Používajte výlučne brúsne telesá schválené pre Vaše ručné elektrické náradie a ochranný kryt určený pre konkrétne zvolené brúsne teleso. Brúsne telesá, ktoré neboli schválené pre dané ručné elektrické náradie, nemôžu byť dostatočne odclonené a nie sú bezpečné.**

**b) Brúsne kotúče s vypuklým stredom sa musia tak namontovať, aby ich brúsna plocha nepresahovala cez plochu okraja ochranného krytu. Neodborne namontovaný brúsny kotúč, ktorý prečnieva cez plochu okraja ochranného krytu, nemôže byť dostatočne chránený.**

**c) Používajte vždy ochranný kryt, ktorý je určený pre používaný druh brúsneho telesa. Ochranný kryt musí byť upravený priamo na ručnom elektrickom náradí a musí byť nastavený tak, aby sa dosiahla maximálna miera bezpečnosti, t. j. brúsne teleso nesmie byť otvorené proti obsluhujúcej osobe. Ochranný kryt pomáha chrániť pracovníka obsluhy pred úlomkami zlomeného kotúča, pred náhodným kontaktom s kotúčom a pred iskrami, ktoré by mohli zapáliť oblečenie.**

**d) Brúsne telesá sa smú používať len pre príslušnú odporúčanú oblasť používania. Napr.: Nikdy nesmieme brúsiť bočnou plochou rezacieho kotúča. Rezacie kotúče sú určené na uberanie materiálu hranou kotúča. Pôsobenie bočnej sily na tento kotúč môže spôsobiť jeho zlomenie.**

**e) Vždy používajte pre vybraný typ brúsneho kotúča nepoškodenú upínaciu prírubu správneho rozmeru a tvaru. Vhodná prírubá podopiera brúsny kotúč a znižuje nebezpečenstvo zlomenia brúsneho kotúča. Prírubby pre rezacie kotúče sa môžu odlišovať od prírub pre ostatné brúsne kotúče.**

**f) Nepoužívajte žiadne opotrebované brúsne kotúče z väčšieho ručného elektrického náradia. Brúsne kotúče pre väčšie ručné elektrické náradie nie sú dimenzované pre vyššie obrátky menších ručných elektrických náradí a môžu sa rozlomiť.**

#### Ďalšie osobitné výstražné upozornenia k rezacím kotúčom

**a) Vyhýbajte sa zablokovaniu rezacieho kotúča alebo použitiu príliš veľkého prítaku. Nevykonávajte žiadne nadmierne hlboké rezy. Pretaženie rezacieho kotúča zvyšuje jeho namáhanie a náchylnosť na vzpriechenie alebo zablokovanie a tým zvyšuje aj možnosť vzniku spätného rázu alebo zlomenia rezacieho kotúča.**

**b) Vyhýbajte sa priestoru pred rotujúcim rezacím kotúčom a za ním. Keď pohybuje rezacím kotúčom v obrobku smerom od seba, v prípade spätného rázu môže byť ručné elektrické náradie vymrštené rotujúcim kotúčom priamo na Vás.**

**c) Ak sa rezací kotúč zablokuje, alebo ak prerušíte prácu, ručné elektrické náradie vypnite a pokojne ho držte dovtedy, kým sa rezací kotúč úplne zastaví. Nepokúšajte sa vyberať rezací kotúč z rezu vtedy, keď ešte beží, pretože by to mohlo mať za následok vyvolanie spätného rázu. Zistite príčinu zablokovania rezacieho kotúča a odstráňte ju.**

**d) Nikdy nezapínajte znova ručné elektrické náradie dovtedy, kým sa rezací kotúč nachádza v obrobku. Skôr ako budete opatrne pokračovať v reze, počkajte, kým dosiahne rezací kotúč maximálny počet obrátok. V opačnom prípade sa môže rezací kotúč zaseknúť, vyskočiť z obrobku alebo vyvolať spätný ráz.**

**e) Veľké platne alebo veľkorozmerné obrobky pri rezaní podoprite, aby ste znížili riziko spätného rázu zablokovaním rezacieho kotúča. Veľké obrobky sa môžu prehnúť následkom vlastnej hmotnosti. Obrobok treba podoprieť na oboch stranách, a to aj v blízkosti rezu aj na hrane.**

**f) Buďte vždy opatrní pri tzv. „vreckových zozoch“ do postavených stien alebo do iných zeh prevládnych zón. Zapichovaný rezací kotúč môže pri zarezaní do plynového alebo vodovodného potrubia, do elektrického vedenia alebo iných objektov spôsobiť spätný ráz.**

#### Osobitné bezpečnostné pokyny pre brúsenie brúsnyim papierom:

**a) Nepoužívajte žiadne nadrozmerné brúsne listy, ale dodržiavajte údaje výrobcu o rozmeroch brúsnych listov. Brúsne listy, ktoré presahujú okraj brúsneho taniera, môžu spôsobiť poranenie a viesť k zablokovaniu, alebo k roztrhnutiu brúsnych listov alebo k spätnému rázu.**

#### Osobitné bezpečnostné pokyny pre prácu s drôtenými kefami:

**a) Prihladnite ku skutočnosti, že drôtená kefa stráca kúsky drôtu aj pri bežnom použití. Nezaťažujte preto drôty príliš veľkým prítlačným tlakom. Odtelujúce kúsky drôtu môžu ľahko preniknúť cez tenký odev a/alebo pokožku.**

**b) Ak sa odporúča používanie ochranného krytu, zabráňte tomu, aby sa ochranný kryt a drôtená kefa mohli dotýkať. Tanirové a miskovitě drôtené kefy môžu následkom prítlačania a odstredivých síl zväčšiť svoj priemer.**

#### ĎALŠIE BEZPEČNOSTNÉ A PRACOVNÉ POKYNY

Pred zapnutím nástroja vždy skontrolujte úplne uvoľnené tlačidlo zámku vretena! Po použití zámku vretena na utiahnutie / uvoľnenie brúsneho kotúča je možné, že sa tlačidlo môže prilepiť v uzamknutej polohe.

Pri brúsení kovov dochádza k lietaniu iskiek. Dávajte pozor, aby neboli ohrozené žiadne osoby. Z dôvodu nebezpečia požiaru nesmú byť v blízkosti (oblasť lietania iskiek) žiadne horľavé materiály. Nepoužívať odsávač prachu.

Predchádzajte tomu, aby sa odtelujúce iskry a brúsny prach dostali do kontaktu s telom.

Nesiahať do nebezpečnej oblasti bežiacého stroja.

Triesky alebo úlomky sa nesmú odstraňovať za chodu stroja.

Ak za chodu prístroja dôjde k výraznému kmitaniu alebo sa vyskytnú iné nedostatky, okamžite ho vypnite. Stroj skontrolujte, aby ste zistili príčinu.

Za extrémnych podmienok (napr. hladké brúsenie kovov s oporným tanierom a brúsnyim kotúčom s vulkanizovanými vláknami) sa môže na vnútornom povrchu stopkovej brúsky nahromadiť značné znečistenie.

Z dôvodu nebezpečia skratu sa do vetracích otvorov nesmú dostať kovové predmety.

**POZOR!** Nebezpečenstvo popálenia! Kotúč a obrobok sa počas používania zahrievajú. Pri výmene kotúčov alebo pri dotyku s obrobkom používajte rukavice. Ruky držte vždy mimo oblasti brúsenia.

**POZOR!** Aby ste zabránili nebezpečenstvu požiaru spôsobeného skratom, poraneniam alebo poškodeniam výrobu, neponárajte náradie, výmennú batériu alebo nabíjačku do kvapalín a postarajte sa o to, aby do zariadení a akumulátorov nevnikli žiadne tekutiny. Korodujúce alebo vodivé kvapaliny, ako je slaná voda, určité chemikálie a bieliace prostriedky alebo výrobky, ktoré obsahujú bieliadlo, môžu spôsobiť skrat.

Výmenné akumulátory a nabíjacie zariadenia neatvárať a skladovať len v suchých priestoroch. Chrániť pred vlhkosťou.

Výmenné akumulátory systému M18 nabíjať len nabíjacími zariadeniami systému M18. Akumulátory iných systémov týmto zariadením nenabíjať.

#### POUŽITIE PODĽA PREDPISOV

Uhlová brúska je určená na brúsenie a rezanie kovových, kamenných, betónových a keramikých materiálov, ako aj pieskových brúsenie a brúsenie drôtenou kefou.

Používajte rezný ochranný kryt z radu príslušenstva pre rezacie aplikácie.

V spornom prípade sa riadte pokynmi výrobcov príslušenstva. Toto elektrické náradie je vhodné iba na suché obrábanie.

Do uhlovej brúsky by sa mali montovať iba vhodné brúsne alebo rezné kotúče a príslušné ochranné kryty (ochranný kryt pri brúsení alebo rezaní), ako je opísané v časti špecifikácie výrobu v tejto príručke. Uhlová brúska je určená na ručné používanie; nesmie byť namontovaná na upínací prípravok ani na pracovný stôl. Nepoužívajte výrobok iným spôsobom, než aký je uvedený pre zamýšľané použitie.

#### ZVÝŠKOVÉ RIZIKÁ

Aj pri riadnom používaní nie je možné vylúčiť všetky zvyškové riziká. Pri používaní môžu vzniknúť následovne nebezpečenstvá, na ktoré by mala obsluha dávať zvlášť pozor:

- Poranenia spôsobené vibráciou. Prístroj držte iba za určené držadlá a obmedzte čas práce a expozície.
- Zafaženie hlukom môže viesť k poškodeniam sluchu. Noste ochranu sluchu a obmedzte dobu expozície.
- Poranenia očí spôsobené čistočkami nečistôt. Noste vždy ochranné okuliare, pevné dlhé nohavice, rukavice a pevnú obuv.
- Vdychnutie jedovatých druhov prachu.

#### UPOZORNENIE NA LÍTIUM-IÓNOVÉ BATÉRIE

##### Použitie lítium-iónových batérií

Dlhší čas nepoužívajú výmenné akumulátory pred použitím dobíť.

Teplota vyššia ako 50°C znižuje výkon výmenného akumulátora. Zabráňte dlhšiemu ohriatiu sinkom alebo kúrením.

Prípadné kontakty na nabíjacom zariadení a výmennom akumulátore udržiavať čisté.

Pre optimálnu životnosť je nutné akumulátory po použití plne dobíť.

K zabezpečeniu dlhej životnosti by sa akumulátory mali po nabití vybrať z nabíjačky.

Pri skladovaní akumulátora po dobu dlhšiu než 30 dní: Skladujte akumulátor v suchu pri cca 27°C.

Skladujte akumulátor pri cca 30%-50% nabíjacej kapacity.

Opakujte nabíjanie akumulátora každých 6 mesiacov.

##### Ochrana proti preťaženiu pri lítium-iónových batériách

Pri preťažení akumulátora príliš vysokou spotrebou prúdu, napríklad pri extrémne vysokom krútiacom momente, začne elektrické náradie po dobu 5 sekúnd vibrovať, indikátor dobíjania začne blikať a motor sa následne samočinne vypne.

K opätovnému zapnutiu uvoľnite a následne opäť stlačte tlačidlový vypínač. Pri extrémnom zatažení dochádza k príliš vysokému ohreву akumulátora. V tomto prípade začnú blikať všetky kontrolky indikátora dobíjania a blikajú tak dlho, dokiaľ sa akumulátor opäť neochladí. V okamihu, keď indikátor dobíjania prestane blikať, je možné v práci opäť pokračovať.

#### Preprava lítiovo-iónových batérií

Lítiovo-iónové batérie podľa zákonných ustanovení spadajú pod prepravu nebezpečného nákladu.

Preprava týchto batérií sa musí realizovať s dodržiavaním lokálnych, vnútroštátnych a medzinárodných predpisov a ustanovení.

Spotrebiteľia môžu tieto batérie bez problémov prepravovať po cestách.

Komerčná preprava lítiovo-iónových batérií prostredníctvom špedičných firiem podlieha ustanoveniam o preprave nebezpečného nákladu. Pripravu k vyexpedovaniu a samotnú prepravu smú vykonávať iba adekvátne vyškolené osoby. Na celý proces sa musí odborné dohliadať.

Pri preprave batérií treba dodržiavať nasledovné:

Zabezpečte, aby boli kontakty chránené a izolované, aby sa zamedzilo skratom.

Dávajte pozor na to, aby sa zväzok batérií v rámci balenia nemohol zošmyknúť. Poškodené a vytečené batérie sa nesmú prepravovať. Kvôli ďalším informáciám sa obráťte na vašu špedičnú firmu.

#### NAPOTKI ZA DELO

##### Ochrana proti preťaženiu a spätnému rázu

Stroj je vybavený ochranou proti preťaženiu a proti spätnému nárazu a pri preťažení sa automaticky vypne. Vypnite elektrické náradie a potom ho znova zapnite, aby sa mohlo pokračovať v práci.

##### Jemný nábeh

Elektronický jemný nábeh pre bezpečné ovládanie zabraňuje trhavému nábehu stroja pri zapnutí.

Pri brúsnych materiáloch, ktoré majú byť vybavené kotúčom so závitom, je potrebné sa uistiť, či dĺžka závitov pre vreteno je dostatočná.

Rozbrusovacia a brúsne kotúče používať a uskladňovať vždy podľa návodu výrobcu.

Pri hrubovaní a delení pracovať vždy s ochranným krytom.

Brúsne kotúče s vypuklým stredom sa musia tak namontovať, aby ich brúsna plocha nepresahovala cez plochu okraja ochranného krytu.

Pred uvedením stroja do prevádzky musí byť prírubová matica dotiahnutá.

používať vždy prídavnú rukoväť.

Opracovávaný obrobok musí byť pevne upnutý, pokiaľ nedrží vlastnou váhou. Nikdy nevedzte obrobok rukou proti kotúčom.

Prírubová matica musí byť pred uvedením stroja do prevádzky pevne dotiahnutá. Ak by sa používaný nástroj pomocou prírubovej matice pevne nedotiahol, vznikla by možnosť, že používaný nástroj pri zabrzdení stratí nevyhnutnú príťažlivú silu.

#### ČISTENIE

Vetracie otvory udržiavať stále v čistote.

#### ÚDRZBA

Používať len Milwaukee príslušenstvo a Milwaukee náhradné diely. Súčiastky bez návodu na výmenu treba dať vymeniť v jednom z Milwaukee zákaznických centier (viď brožúru Záruka/Adresy zákaznických centier).

Pri udaní typu stroja a čísla nachádzajúceho sa na štítku dá sa v prípade potreby vyžiadať explozívna schéma prístroja od vášho zákaznického centra alebo priamo v Techtronic Industries GmbH, Max-Eyth-Straße 10, 71364 Winnenden, Germany.

#### SYMBOLY



Pred prvým použitím prístroja si pozorne prečítajte návod na obsluhu.



POZOR! NEBEZPEČENSTVO!



Pred každou prácou na stroji výmenný akumulátor vyťať.



Nepoužívajte ochranný kryt na rezanie.



Nepoužívajte silu.



Použite silu.



Pri práci so strojom vždy nosíte ochranné okuliare.



Používajte ochranu sluchu.



Pri práci nosiť vhodnú ochrannú masku, aby sa nedostal do ľudského organizmu.



Používajte ochranné rukavice!



Pracujte vždy dvoma rukami.



Iba na brúsenie.



Iba na rezanie.



Dbajte na prípustnú hrúbku disku.



Príslušenstvo - nie je súčasťou štandardnej výbavy, odporúčané doplnenie z programu príslušenstva.



Elektrické prístroje sa nesmú likvidovať spolu s odpadom z domácností. Elektrické a elektronické prístroje treba zbierať oddelene a odovzdať ich v recyklačnom podniku na ekologickú likvidáciu. Na miestnych úradoch alebo u vášho špecializovaného predajcu sa spýtajte na recyklačné podniky a zberné dvory.



$n$ <sub>0</sub> Menovitý počet obrátok



V Napätie



— Jednosmerný prúd



Značka zhody v Európe



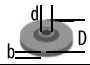
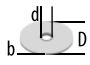
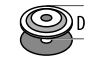

Značka zhody v Británii



Značka zhody na Ukrajine



Značka zhody pre oblasť Eurázie

DANE TECHNICZNE	M18 FSAG115X	M18 FSAG125X
Typ	Szlifierka kątowa akumulatorowa	Szlifierka kątowa akumulatorowa
Numer produkcyjny	4830 49 01 XXXXXX MJJJJ	4830 56 01 XXXXXX MJJJJ
Napięcie baterii akumulatorowej	18 V	18 V
Znamionowa prędkość obrotowa	8500 min <sup>-1</sup>	8500 min <sup>-1</sup>
Gwint wrzeciona roboczego	M14	M14
D=Średnica tarczy ścierniej maks.	115 mm	125 mm
d=średnica otworu obrobnego	22,2 mm	22,2
	b=Grubość ściernicy maks.	6 mm
	b=Grubość tarczy tnącej maks. / min.	3 mm / 1 mm
	D=Średnica tarczy szlifierskiej maks.	115 mm
	D=Średnica szczotek garmkowych maks.	75 mm
Ciężar wg procedury EPTA 01/2014 (Li-Ion 2,0 Ah ... 12,0 Ah)	2,4 ... 3,4 kg	2,4 ... 3,5 kg
Zalecana temperatura otoczenia w trakcie eksploatacji	-18 ... +50 °C	
Zalecane zestawy akumulatorowe	M18B...; M18HB...	
Zalecane ładowarki	M12-18...; M1418C6	

**Informacja dotycząca szumów:** Zmierzone wartości wyznaczone zgodnie z normą EN 60745. Poziom szumów urządzenia oszacowany jako A wynosi typowo:

Poziom ciśnienia akustycznego / Niepewność K	82,7 dB(A) / 3 dB(A)	82,7 dB(A) / 3 dB(A)
Poziom mocy akustycznej / Niepewność K	93,7 dB(A) / 3 dB(A)	93,7 dB(A) / 3 dB(A)

**Należy używać ochraniaczy uszu!**

**Informacje dotyczące wibracji:** Wartości łączne drgań (suma wektorowa trzech kierunków) wyznaczone zgodnie z normą EN 60745.

Wartość emisji drgań a <sub>h</sub> / Niepewność K		
Szlifowanie powierzchni	4,8 m/s <sup>2</sup> / 1,5 m/s <sup>2</sup>	5,5 m/s <sup>2</sup> / 1,5 m/s <sup>2</sup>
Szlifowanie z użyciem krążka ściernego	1,1 m/s <sup>2</sup> / 1,5 m/s <sup>2</sup>	1,9 m/s <sup>2</sup> / 1,5 m/s <sup>2</sup>

W przypadku innych zastosowań, takich jak na przykład przecinanie ściernicą lub szlifowanie za pomocą szczotki z drutu stalowego, mogą wynikać inne wartości wibracji!

## OSTRZEŻENIE!

Poziom drgań i emisji hałasu podany w niniejszej instrukcji zmierzono zgodnie ze standardową metodą badania wg EN 60745 i można ją wykorzystać do porównania narzędzia z innym narzędziem. Można go wykorzystać przy wstępnej ocenie narażenia.

Deklarowany poziom emisji drgań i hałasu reprezentuje główne zastosowania narzędzia. Jeśli jednak narzędzie jest używane do różnych zastosowań, z różnymi akcesoriami lub w przypadku nieprawidłowej konserwacji, emisja drgań i hałasu może się różnić. Może to znacznie zwiększyć poziom narażenia w całym okresie eksploatacji narzędzia.

Oszacowanie poziomu narażenia na wibracje i hałas powinno również uwzględniać czas, kiedy narzędzie jest wyłączone lub kiedy jest włączone, ale nie pracuje. Może to znacznie obniżyć poziom ekspozycji w całym okresie eksploatacji narzędzia.

Należy zidentyfikować dodatkowe środki bezpieczeństwa w celu ochrony operatora przed skutkami wibracji i/lub hałasu, takie jak: utrzymywanie narzędzia i akcesoriów w nienagannym stanie, utrzymywanie ciepła rąk, organizacja pracy.

## OSTRZEŻENIE!

Prosimy o przeczytanie wskazówek bezpieczeństwa i zaleceń, również tych. Błędy w przestrzeganiu poniższych wskazówek mogą spowodować porażenie prądem, pożar i/lub ciężkie obrażenia ciała.

**Należy starannie przechowywać wszystkie przepisy i wskazówki bezpieczeństwa dla dalszego zastosowania.**

## INSTRUKCJE BEZPIECZEŃSTWA DLA SZLIFIEREK KĄTOWYCH

Wspólne wskazówki ostrzegawcze dotyczące szlifowania, szlifowania okładziną ścierną, prac z użyciem szczotek druci-  
anych, polerowania i przecinania ściernicą:

- a) Elektronarzędzie należy używać jako szlifierki, szlifierki z użyciem okładziny ścierniej, szczotki drucianej i przecinania ściernicą. Należy przestrzegać wszystkich wskazówek ostrzegawczych, przepisów, opisów i danych, które otrzymał Państwo wraz z elektronarzędziem. Jeśli nie będą przestrzegane następujące przepisy, może dojść do porażenia prądem, pożaru i/lub ciężkich obrażeń ciała.
- b) Niniejsze elektronarzędzie nie może być wykorzystywane do polerowania. Zastosowanie narzędzia elektrycznego do celów, do których nie jest ono przewidziane, może spowodować zagrożenia i obrażenia ciała.
- c) Nie należy używać osprzętu, który nie jest przewidziany i polecany przez producenta specjalnie do tego urządzenia. Fakt, że osprzęt daje się zamontować do elektronarzędzia, nie jest gwarantem bezpiecznego użycia.

d) Dopuszczalna liczba obrotów osprzętu musi być przynajmniej tak wysoka, jak maksymalna liczba obrotów podana na urządzeniu elektrycznym. Osprzęt, który obraca się szybciej niż jest to dozwolone, może pęknąć i zostać ciśnięty w powietrze.

e) Średnica zewnętrzna i grubość narzędzia roboczego muszą odpowiadać wymiarom elektronarzędzia. Narzędzia robocze o niewłaściwych wymiarach nie mogą być wystarczająco osłonięte lub kontrolowane.

f) Gwinty części osprzętowych muszą być zgodne z gwintem wrzeciona ściernicy. W przypadku części osprzętowych, które są przykręcane za pomocą kołnierzy, otwór dla trzpienia mocującego w części osprzętowej musi być zgodny ze średnicą kołnierza lokalizacyjnego. Części osprzętowe, które nie pasują do trzpienia montażowego urządzenia, poruszają się mimośrodowo, nadmiernie mocno wibrują i mogą prowadzić do utraty kontroli nad narzędziem.

g) W żadnym wypadku nie należy używać uszkodzonych narzędzi roboczych. Przed każdym użyciem należy skontrolować oprzyrządowanie, np. ściernice pod kątem odprysków i pęknięć, talerze szlifierskie pod kątem pęknięć, starcia lub silnego zużycia, szczotki druciane pod kątem luźnych lub złamanych drutów. W razie wypadku elektronarzędzia lub narzędzia roboczego, należy sprawdzić, czy nie uległo ono uszkodzeniu, lub użyć innego, nieuszkodzonego narzędzia. Jeśli narzędzie zostało sprawdzone i umocowane, elektronarzędzie należy włączyć na minutę na najwyższe obroty, zwracając przy tym uwagę, by osoba obsługująca i osoby postronne znajdujące się w pobliżu, znalazły się poza strefą obracającego się narzędzia. Uszkodzone narzędzia łamią się najczęściej w tym czasie próbnym.

h) Należy nosić osobiste wyposażenie ochronne. W zależności od rodzaju pracy, należy nosić maskę ochronną pokrywającą całą twarz, ochronę oczu lub okulary ochronne. W razie potrzeby należy użyć maski przeciwpyłowej, ochrony słuchu, rękawic ochronnych lub specjalnego fartucha, chroniącego przed małymi cząstkami ściernego i obrabianego materiału. Należy chronić oczy przed unoszącymi się w powietrzu ciałami obcymi, powstałymi w czasie pracy. Maskę przeciwpyłową i ochronną dróg oddechowych muszą filtrować znajdujący podczas pracy pył. Oddziaływanie hałasu przez dłuższy okres czasu, może doprowadzić do utraty słuchu.

i) Należy uważać, by osoby postronne znajdowały się w bezpiecznej odległości od strefy zasięgu elektronarzędzia. Każdy, kto znajduje się w pobliżu pracującego elektronarzędzia, musi używać osobistego wyposażenia ochronnego. Odłamki obrabianego przedmiotu lub pęknięte narzędzia robocze mogą odpryskiwać i spowodować obrażenia również poza bezpośrednią strefą zasięgu.

j) Trzymaj urządzenie za izolowane powierzchnie chwytne gdy wykonujesz roboty, w trakcie których narzędzie skrawające może natrafić na ukryte przewody prądowe. Styczność narzędzia skrawającego z będącym pod napięciem przewodem może spowodować podłączenie części metalowych urządzenia do napięcia i prowadzić do porażenia prądem elektrycznym.

k) Nigdy nie odkładaj urządzenia zanim obrotowy osprzęt tnący całkowicie się nie zatrzyma. Obracające się narzędzie może wejść w kontakt z powierzchnią, na którą jest odłożone, przez co można stracić kontrolę nad elektronarzędziem.

l) Nie wolno przenosić elektronarzędzia, znajdującego się w ruchu. Przypadkowy kontakt ubrania z obracającym się narzędziem roboczym może spowodować jego wciągnięcie i wwiercenie się narzędzia roboczego w ciało osoby obsługującej.

m) Należy regularnie czyścić szczeliny wentylacyjne elektronarzędzia. Dmuchała silnika wciąga kurz do obudowy, a duże nagromadzenie pyłu metalowego może spowodować zagrożenie elektryczne.

n) Nie należy używać elektronarzędzia w pobliżu materiałów łatwopalnych. Iskry mogą spowodować ich zapłon.

o) Nie należy używać narzędzi, które wymagają płynnych środków chłodzących. Użycie wody lub innych płynnych środków chłodzących może doprowadzić do porażenia prądem.

## Odrzut i odpowiednie wskazówki bezpieczeństwa

Odrzut jest nagłą reakcją elektronarzędzia na zablokowanie lub zawadzenie obracającego się narzędzia, takiego jak ściernica, talerz szlifierski, szczotka druciana itd. Zaczeplenie się lub zablokowanie prowadzi do nagłego zatrzymania się obracającego się narzędzia roboczego. Niekontrolowane elektronarzędzie zostanie przez to szarpnięte w kierunku przeciwnym do kierunku obrotu narzędzia roboczego.

Gdy, np. ściernica zatnie się lub zakleszczy w obrabianym przedmiocie, zanurzona w materiale krawędź ściernicy, może się zablokować i spowodować jej wypadnięcie lub odrzut. Ruch ściernicy (w kierunku osoby obsługującej) lub od niezależny jest wtedy od kierunku ruchu ściernicy w miejscu zablokowania. Oprócz tego ściernice mogą się również złamać.

Odrzut jest następstwem niewłaściwego lub błędnego użycia elektronarzędzia. Można go uniknąć przez zachowanie opisanych poniżej odpowiednich środków ostrożności.

a) Elektronarzędzie należy mocno trzymać, a ciało i ręce ustawić w pozycji, umożliwiającej złagodzenie odrzutu. Jeżeli w skład wyposażenia standardowego wchodzi uchwyt dodatkowy, należy go zawsze używać, żeby mieć jak największą kontrolę nad siłami odrzutu lub momentem nadającym podczas rozruchu. Osoba obsługująca urządzenie może opanować szarpnięcia i zjawisko odrzutu poprzez zachowanie odpowiednich środków ostrożności.

b) Nie należy nigdy trzymać rąk w pobliżu obracających się narzędzi roboczych. Odrzut może spowodować wytrącenie narzędzia z rąk.

c) Należy trzymać się z dala od strefy zasięgu, w której porusza się elektronarzędzie podczas odrzutu. Na skutek odrzutu, elektronarzędzie przemieszcza się w kierunku przeciwnym do ruchu ściernicy w miejscu zablokowania.

d) Szczegółnie ostrożnie należy obrabiać narożniki, ostre krawędzie itd. Należy zapobiegać temu, by narzędzia robocze zostały odbite lub by się one zablokowały. Obracające się narzędzie robocze jest bardziej podatne na zakleszczenie przy obróbce kątów, ostrych krawędzi lub gdy zostanie odbite. Może to stać się przyczyną utraty kontroli lub odrzutu.

e) Nie stosować brzeszczotów do pił łańcuchowych ani zębanych. Osprzęt tnący tego typu prowadzi często do powstawania odrzutu oraz utraty kontroli nad urządzeniem elektrycznym.

## Szczególne wskazówki bezpieczeństwa dla szlifowania i przecinania ściernicą

a) Należy używać wyłącznie ściernicy przeznaczonej dla danego elektronarzędzia i osłony przeznaczonej dla danej ściernicy. Ściernice nie będące oprzyrządowaniem danego elektronarzędzia nie mogą być wystarczająco osłonięte i nie są wystarczająco bezpieczne.

b) Odgięte ściernice należy zamontować tak, aby ich powierzchnia szlifierska nie wystawała poza obrzeże osłony. Nieprawidłowo zamontowana ściernica, która wystaje poza obrzeże osłony nie może być wystarczająco osłonięta.

c) Należy zawsze używać osłony, która jest przeznaczona dla używanego rodzaju ściernic. Osłona musi być dobrze przymocowana do elektronarzędzia, a jej ustawienie musi gwarantować jak największy stopień bezpieczeństwa. Oznacza to, że zwrócona do osoby obsługującej część ściernicy ma być w jak największym stopniu osłonięta. Osłona pomaga chronić operatora przed odłatkami tarczy szlifierskiej, przypadkowym kontaktem z tarczą i iskrami, które mogłyby spowodować zapalenie się odzieży.

d) Ściernic można używać tylko do prac dla nich przewidzianych. Nie należy np. nigdy szlifować boczną powierzchnią ściernicy tarczowej do cięcia. Tarczowe ściernice tnące przeznaczone są do usuwania materiału krawędzią tarczy. Wpływ sił bocznych na te ściernice może je złamać.

e) Do wybranej ściernicy należy używać zawsze nieuszkodzonych kołnierzy mocujących o prawidłowej wielkości i kształcie. Odpowiednie kołnierze podpierają ściernicę i zmniejszają tym samym niebezpieczeństwo jej złamania się. Kołnierze do ściernic tnących mogą różnić się od kołnierzy przeznaczonych do innych ściernic.

**f) Nie należy używać zużytych ściernic z większych elektronarzędzi.** Ściernice do większych elektronarzędzi nie są zaprojektowane dla wyższej liczby obrotów, która jest charakterystyką mniejszych elektronarzędzi i mogą się dlatego zlamać.

#### **Dodatkowe szczególne wskazówki bezpieczeństwa dla przecinania ściernicą**

**a) Należy unikać zablokowania się tarczy tnącej lub za dużego nacisku. Nie należy przeprowadzać nadmiernie głębokich cięć.** Przeciążenie tarczy tnącej podwyższa jej obciążenie i jej skłonność do zakleszczenia się lub zablokowania i tym samym możliwość odrzutu lub złamania się tarczy.

**b) Należy unikać obszaru przed i za obracającą się tarczą tnącą.** Przesuwanie tarczy tnącej w obrabianym przedmiocie w kierunku od siebie, może spowodować, iż w razie odrzutu, elektronarzędzie odskoczy wraz z obracającą się tarczą bezpośrednio w kierunku użytkownika.

**c) W przypadku zakleszczenia się tarczy tnącej lub przerwy w pracy, elektronarzędzie należy wyłączyć i odczekać, aż tarcza całkowicie się zatrzyma. Nigdy nie należy próbować wyciągać poruszającej się jeszcze tarczy z miejsca cięcia, gdyż może to wywołać odrzut.** Należy wykryć i usunąć przyczynę zakleszczenia się.

**d) Nie włączać ponownie elektronarzędzia, dopóki znajduje się ono w materiale. Przed kontynuacją cięcia, tarcza tnąca powinna osiągnąć swoją pełną prędkość obrotową.** W przeciwnym wypadku ściernica może się zapęczyć, wyskoczyć z przedmiotu obrabianego lub spowodować odrzut.

**e) Płyty lub duże przedmioty należy przed obróbką podeprzeć, aby zmniejszyć ryzyko odrzutu, spowodowanego przez zakleszczoną tarczę.** Duże przedmioty mogą się ugiąć pod ciężarem własnym. Obrabiany przedmiot należy podeprzeć z obydwu stron, zarówno w pobliżu linii cięcia jak i przy krawędzi.

**f) Należy zachować szczególną ostrożność przy wykonywaniu „cięć dogłębnych“ w istniejących ścianach lub w innych niewidocznych obszarach.** Wgłębiająca się w materiał tarcza tnąca może spowodować odrzut narzędzia po natrafieniu na przewody gazowe, wodociągowe, przewody elektryczne lub inne przedmioty.

#### **Szczególne wskazówki bezpieczeństwa dla szlifowania papierem ściernym:**

**a) Nie należy stosować zbyt wielkich arkuszy papieru ściernego.** Przy wyborze wielkości papieru ściernego, należy kierować się zaleceniami producenta. Wystający poza płytę szlifierską papier ścierny może spowodować obrażenia, a także doprowadzić do zablokowania lub rozdarcia papieru lub do odrzutu.

#### **Szczególne wskazówki bezpieczeństwa dla pracy z użyciem szcetek drucianych:**

**a) Należy pamiętać, iż szcotka druciana gubi kawałki drutu podczas normalnego użytkowania. Nie należy przeciążać drutów zbyt dużym dociskiem.** Odrzucone kawałki drutu mogą bardzo łatwo przebić się przez cienkie ubranie i/lub skórę.

**b) Jeżeli zalecane jest użycie osłony, należy zapobiec kontaktowi szcetki z osłoną.** Średnica szcetek do talerzy i garnków może się zwiększyć przez siłę nacisku i siły odśrodkowe.

#### **DODATKOWE WSKAZÓWKI BEZPIECZENSTWA I INSTRUKCJE ROBOCZE**

Przed włączeniem narzędzia należy zawsze sprawdzić, czy przycisk blokady trzpienia jest całkowicie zwolniony! Po użyciu blokady trzpienia do dokręcenia / odkręcenia tarczy ścierniej może się zdarzyć, że przycisk pozostanie w pozycji zablokowanej.

Przy szlifowaniu metali powstają iskry. Nie narażać na niebezpieczeństwo żadnych osób. Ze względu na zagrożenie pożarowe w pobliżu miejsca pracy (w strefie wyrzucania iskieł) nie powinny się znajdować materiały palne. Nie stosować odpalaczy. Zapobiegać, aby odpryskujące iskry i pył szlifierski nie były kierowane na ciało.

Podczas pracy strugarki nie zbliżać się do strefy niebezpiecznej.

Podczas pracy elektronarzędzia nie wolno usuwać trocin ani drzazg. Natychmiast wyłączyć elektronarzędzie w przypadku wystąpienia znacznych drgań lub w przypadku stwierdzenia innych usterek. Sprawdzić urządzenie w celu ustalenia przyczyny.

W ekstremalnych zastosowaniach (np. przy wygładzaniu metali za pomocą talerza podporowego i wulkanizowanej fibrowej tarczy szlifierskiej) wewnątrz szlifierki mogą gromadzić się znaczne zanieczyszczenia.

Nie dopuszczaj do przedostawania się części metalowych do szczelin powietrznych - niebezpieczeństwo zwarcia!

**OSTRZEŻENIE! Niebezpieczeństwo oparzenia!** Podczas pracy tarcza i przedmiot obrabiany nagrzewają się do wysokiej temperatury. Podczas wymiany tarcz lub dotykania obrabianego przedmiotu należy nosić rękawice. Zawsze trzymać ręce z dala od miejsca obróbki szlifierskiej.

**OSTRZEŻENIE!** Aby uniknąć niebezpieczeństwa pożaru, obrażeń lub uszkodzeń produktu na skutek zwarcia, nie wolno zanurzać narzędzia, akumulatora wymiennego ani ładowarki w cieczach i należy zatroszczyć się o to, aby do urządzeń i akumulatorów nie dostały się żadne cieczce. Zwarcie spowodować mogą korodujące lub przewodzące cieczce, takie jak woda morską, określone chemikalia i wybielacze lub produkty zawierające wybielacze.

Nie otwierać wkładek akumulatorowych i ładowarek. Przechowywać w suchych pomieszczeniach. Chronić przed wilgocią.

Akumulatory Systemu M18 należy ładować wyłącznie przy pomocy ładowarek Systemu M18. Nie ładować przy pomocy tych ładowarek akumulatorów innych systemów.

#### **WARUNKI UŻYTKOWANIA**

Szlifierka kątowna przeznaczona jest do szlifowania i cięcia metali, kamienia, betonu i materiałów ceramicznych oraz do wygładzania i czyszczenia szcztoką drucianą.

Użyj nakładki tnącej z oferty akcesoriów do zastosowań tnących.

W razie wątpliwości przestrzegaj wskazówek producenta osprzętu. Elektronarzędzie nadaje się tylko do obróbki na sucho.

Na szlifierce kątownej należy mocować tylko odpowiednie tarcze szlifierskie lub tnące z odpowiednimi osłonami (osłona szlifierska lub przecinarki), zgodnie z opisem w rozdziale dotyczącym specyfikacji produktu w niniejszej instrukcji. Szlifierka kątowna jest przeznaczona do użytku ręcznego. Nie wolno jej montować w uchwycie ani na stole warsztatowym.

Nie należy używać produktu w inny sposób niż zgodny z jego przeznaczeniem.

#### **ZAGROŻENIA RESZTKOWE**

Nawet przy prawidłowym użytkowaniu nie można wykluczyć wszystkich ryzyk rezydualnych. W trakcie użytkowania mogą powstawać poniższe zagrożenia, nawet w przypadku zachowania przez operatora najwyższej troski:

- Obrażenia spowodowane przez wibracje. Urządzenie należy trzymać za przeznaczony w tym celu uchwyt i ograniczać czas pracy i czas ekspozycji.
- Uciążliwość akustyczna może prowadzić do uszkodzeń słuchu. Należy mieć na sobie naszłuchki i ograniczać czas trwania ekspozycji.
- Obrażenia oczu spowodowane przez cząstki brudu. Należy zawsze mieć na sobie okulary ochronne, solidne długie spodnie, rękawice i solidne buty robocze.
- Wdychanie toksycznego pyłu.

#### **WSKAZÓWKI DLA AKUMULATORÓW LITOWO-JONOWYCH**

##### **Użytkowanie akumulatorów litowo-jonowych**

Akumulatory, które nie były przez dłuższy czas użytkowane, należy przed użyciem naładować.

W temperaturze powyżej 50°C następuje spadek osiągniętych wkładki akumulatorowej. Unikaj długotrwałego wystawienia na oddziaływanie ciepła lub promieni słonecznych (niebezpieczeństwo przegrzania).

Styki ładowarek i wkładek akumulatorowych należy utrzymywać w czystości

Dla zapewnienia optymalnej żywotności akumulatory po użyciu należy naładować do pełnej pojemności.

Dla zapewnienia możliwie długiej żywotności akumulatory należy wyjąć z ładowarki po ich naładowaniu.

W przypadku składowania akumulatorów dłużej aniżeli 30 dni:

Przechowywać je w suchym miejscu w temperaturze ok. 27°C.

Przechowywać je w stanie naładowanym do ok. 30% - 50%.

Ładować je ponownie co 6 miesięcy.

#### **Ochrona przeciwprzeciążeniowa w akumulatorach litowo-jonowych**

W przypadku przeciążenia akumulatora przez bardzo duży pobór prądu, na przykład wskutek ekstremalnie dużych momentów obrotowych, narzędzie ręczne z napędem elektrycznym wibruje przez 5 sekund, miga wskaźnik ładowania i narzędzie samoczynnie wyłącza się.

W celu ponownego włączenia narzędzia należy zwolnić przycisk przełączający, a następnie ponownie go włączyć. Przy ekstremalnych obciążeniach akumulator nagrzewa się za mocno. W takim przypadku wszystkie lampki wskaźnika ładowania migają tak długo, aż akumulator ochłodzi się. Po zgaśnięciu wskaźnika ładowania można kontynuować pracę.

#### **Transport akumulatorów litowo-jonowych**

Akumulatory litowo-jonowe podlegają ustawowym przepisom dotyczącym transportu towarów niebezpiecznych.

Transport tych akumulatorów winien odbywać się przy przestrzeganiu lokalnych, krajowych i międzynarodowych rozporządzeń i przepisów.

Odbiorcom nie wolno transportować tych akumulatorów po drogach ot tak po prostu.

Komercyjny transport akumulatorów litowo-jonowych przez przedsiębiorstwa spedycyjne podlega przepisom dotyczącym transportu towarów niebezpiecznych. Przygotowania do wysyłki oraz transport mogą być wykonywane wyłącznie przez odpowiednio przeszkoloną osobę. Cały proces winien odbywać się pod fachowym nadzorem.

W czasie transportu akumulatorów należy przestrzegać następujących punktów:

Celem uniknięcia zwarcia należy upewnić się, że zestyki są zabezpieczone i zaizolowane.

Zwracać uwagę na to, aby zespół akumulatorów nie mógł się przemieszczać we wnętrzu opakowania. Nie wolno transportować akumulatorów uszkodzonych lub z wyciekającym z elektrolitem. Odnosnie dalszych wskazówek należy zwrócić się do swojego przedsiębiorstwa spedycyjnego.

#### **WSKAZÓWKI DOTYCZĄCE UŻYTKOWANIA**

##### **Zabezpieczenie przeciążeniowe i zabezpieczenie przed odrzutem**

Urządzenie posiada funkcję zabezpieczającą przed przeciążeniem i odrzutem i zatrzymuje się przy określonym przeciążeniu. Aby kontynuować pracę należy wyłączyć elektronarzędzie, a następnie ponownie je włączyć.

##### **Lagodnego rozruchu**

Bezpieczna obsługa dzięki elektronicznej funkcji łagodnego rozruchu zapobiegająca szarpnięciom.

W przypadku elektronarzędzi, które mają współpracować z tarczą z otworem gwintowanym należy sprawdzić czy długość gwintu w tarczy odpowiada długości wrzeciona.

Tarcze szlifierskie i tnące należy zawsze stosować i przechowywać zgodnie z zaleceniami producenta.

Przy obróbce zgrubnej i przecinaniu należy zawsze używać osłony na twarz.

Odgięte ściernice należy zamontować tak, aby ich powierzchnia szlifierska nie wystawała poza obrzeże osłony.

Przed uruchomieniem urządzenia należy dokręcić nakrętkę regulacyjną.

Posługiwać się zawsze uchwytem dodatkowym.

Jeśli ciężar własny obrabianego przedmiotu nie pozwala jego unieruchomienie, to należy go zamocować. W żadnym wypadku nie wolno przedmiotu obrabianego prowadzić względem tarczy.

Przed uruchomieniem maszyny należy mocno dokręcić nakrętkę kołnierową. Jeśli narzędzie robocze nie zostanie mocno dokręcone, istnieje niebezpieczeństwo utraty potrzebnej siły zamocowania narzędzia roboczego podczas hamowania.

#### **CZYSZCZENIE**

Otwory wentylacyjne elektronarzędzia muszą być zawsze drożne.

#### **UTRZYMANIE I KONSERWACJA**

Używać tylko i wyłącznie wyposażenia dodatkowego Milwaukee i części zamiennych Milwaukee. Gdyby trzeba było wymienić części, które nie zostały opisane, należy skontaktować się z przedstawicielem serwisu Milwaukee (patrz wykaz adresów punktów usługowych/gwarancyjnych).

Na życzenie można otrzymać rysunek widoku zespołu rozebranego. Przy zamawianiu należy podać numer oraz typ elektronarzędzia umieszczony na tabliczce znamionowej. Zamówienia można dokonać albo u lokalnych przedstawicieli serwisu, albo bezpośrednio w Techtronic Industries GmbH, Max-Eyth-Straße 10, 71364 Winnenden, Germany.

**SYMBOLE**

	Przed uruchomieniem elektronarzędzia zapoznać się uważnie z treścią instrukcji.
	<b>UWAGA! OSTRZEŻENIE NIEBEZPIECZEŃSTWO!</b>
	Przed przystąpieniem do jakichkolwiek prac na elektronarzędziu należy wyjąć wkładkę akumulatorową.
	Nie używaj osłony do operacji odcinania.
	Nie używać siły.
	Zastosuj siłę.
	Podczas pracy należy zawsze nosić okulary ochronne.
	Stosować środki ochrony słuchu!
	Nosić odpowiednią maskę przeciwpyłową.
	Nosić rękawice ochronne!
	Zawsze obsługuj narzędzie dwiema rękami.
	Tylko do szlifowania.
	Tylko do cięcia.
	Zwróć uwagę na dopuszczalną grubość tarczy.
	Wyposażenie dodatkowe dostępne osobno.
	Urządzenia elektryczne nie mogą być usuwane razem z odpadami pochodzącymi z gospodarstw domowych. Urządzenia elektryczne i elektroniczne należy gromadzić oddzielnie i w celu usuwania ich do odpadów zgodnie z wymaganiami środowiska naturalnego oddawać do przedsiębiorstwa utylizacyjnego. Proszę zasięgnąć informacji o centrach recyklingowych i punktach zbiorczych u władz lokalnych lub u wyspecjalizowanego dostawcy.
$n_0$	Znamionowa prędkość obrotowa

	Napięcie
	Prąd stały
	Europejski Certyfikat Zgodności
	Brytyjski Certyfikat Zgodności
	Ukraiński Certyfikat Zgodności
	Euroazjatycki Certyfikat Zgodności

MŰSZAKI ADATOK	M18 FSAG115X	M18 FSAG125X
Felépítés	Akkumulátors sarokcsiszoló	Akkumulátors sarokcsiszoló
Gyártási szám	4830 49 01 XXXXXX MJJJJ	4830 56 01 XXXXXX MJJJJ
Akkumulátor feszültség	18 V	18 V
Névleges fordulatszám	8500 min <sup>-1</sup>	8500 min <sup>-1</sup>
Tengelymenet	M14	M14
D=Csiszolótarcsa-Ø max.	115 mm	125 mm
d=furat Ø	22,2 mm	22,2
	b=Csiszolókorong vastagság max.	6 mm
	b=A vágókorong átmérője max. / min.	3 mm / 1 mm
	D=Csiszolókorong átmérő max.	115 mm
	D=Fazékkéfe Ø max.	75 mm
Súly a 01/2014 EPTA-eljárás szerint (Li-Ion 2,0 Ah ... 12,0 Ah)	2,4 ... 3,4 kg	2,4 ... 3,5 kg
Üzemeléshez ajánlott környezeti hőmérséklet	-18 ... +50 °C	
Ájánlott akkucsomagok	M18B...; M18HB...	
Ájánlott töltőkészülékek	M12-18...; M1418C6	
<b>Zajinformáció:</b> A közölt értékek megfelelnek az EN 60745 szabványnak. A készülék munkahelyi zajszintje tipikusan:		
Hangnyomás szint / K bizonytalanság	82,7 dB(A) / 3 dB(A)	82,7 dB(A) / 3 dB(A)
Hangteljesítmény szint / K bizonytalanság	93,7 dB(A) / 3 dB(A)	93,7 dB(A) / 3 dB(A)
<b>Hallásvédő eszköz használata ajánlott!</b>		
<b>Vibráció-információk:</b> Összesített rezgésértékek (három irányú vektoriális összeg az EN 60745-nek megfelelően meghatározva. rezgésemisszió érték $a_h$ / K bizonytalanság		
Felületcsiszolás	4,8 m/s <sup>2</sup> / 1,5 m/s <sup>2</sup>	5,5 m/s <sup>2</sup> / 1,5 m/s <sup>2</sup>
Csiszolás csiszolólapal	1,1 m/s <sup>2</sup> / 1,5 m/s <sup>2</sup>	1,9 m/s <sup>2</sup> / 1,5 m/s <sup>2</sup>

Más alkalmazás, pl. darabolás vagy az acél drótkéffel végzett csiszolás esetén más vibrációs értékek adódhatnak!

**FIGYELMEZTETÉS!**

Az adatlapon feltüntetett rezgés- és zajkibocsátási szint mérésére az EN 60745 szabványos vizsgálati módszere alapján került sor, és a kapott értékek az egyes szerszámok összehasonlítására használhatók. Az értékek az expozíció előzetes értékelésében használhatók.

A feltüntetett rezgés- és zajkibocsátási szint a szerszám főbb alkalmazásait tükrözi. Mindazonáltal, ha a szerszámot különböző alkalmazásokra, eltérő tartozékokkal használják, illetve a szerszám nincs megfelelően karbantartva, a rezgés- és zajkibocsátási szint eltérő lehet. Ez jelentősen növelheti az expozíciós szintet a teljes munkafolyamat során.

A rezgésnek és zajnak való expozíció becslést szintjét is figyelembe kell venni a szerszám kikapcsolásakor, illetve olyankor, ha a szerszám üzemel, de valójában nem történik vele munkavégzés. Ez jelentősen csökkentheti az expozíciós szintet a teljes munkafolyamat során.

Határozzon meg további biztonsági intézkedéseket, hogy védje a kezelőt a rezgés- és/vagy zajhatásokról. Ilyen intézkedések pl.: a szerszámok és tartozékok karbantartása, a kéz melegen tartása, munkarend-szervezés.

**FIGYELMEZTETÉS!** Olvasson el minden biztonsági útmutatást és utasítást. A következőkben leírt előírások betartásának elmulasztása áramütésekhez, tűzhöz és/vagy súlyos testi sérülésekhez vezethet.

**Kérjük a későbbi használatra gondosan őrizze meg ezeket az előírásokat.**

**BIZTONSÁGI TUDNIVALÓK SAROKCSISZOLÓHOZ**

Közös figyelmeztető tájékoztató a csiszolóshoz, csiszoló-papírral végzett csiszoláshoz, a drótkéffel végzett munkához, polirozáshoz és daraboláshoz:

**a) Ez az elektromos kéziszerszám csiszológépként, csiszoló-papírral végzett csiszoláshoz, drótkéféként és daraboló csiszológépként használható. Ügyeljen minden figyelmeztető jelzésre, előírásra, ábrára és adatra, amelyet az elektromos kéziszerszámmal együtt megkapott. Ha nem tartja be a következő előírásokat, akkor ez áramütéshez, tűzhöz és/vagy súlyos személyi sérülésekhez vezethet.**

**b) Ez az elektromos szerszám nem alkalmas polirozásra.** Az elektromos szerszám olyan használata, amely nem felel meg a rendeltetésének, veszélyeket és sérüléseket okozhat.

**c) Ne használjon olyan tartozékokat, amelyeket a gyártó ehhez az elektromos kéziszerszámmal nem irányított elő és nem javasolt.** Az a tény, hogy a tartozékot rögzíteni tudja az elektromos kéziszerszámmal, nem garantálja annak biztonságos alkalmazását.

**d) Az alkalmazott szerszámalkatrész megengedett fordulatszámának legalább annyianak kell lennie, mint az elektromos szerszámon megadott legnagyobb fordulatszám.** Az olyan tartozék, ami a megengedett fordulatszámánál gyorsabban forog, eltörhet vagy lerepülhet.

**e) A betétszerszám külső átmérőjének és vastagságának meg kell felelnie az Ön elektromos kéziszerszáman megadott méreteknél.** A hibásan méretezett betétszerszámokat nem lehet megfelelően eltakarni, vagy irányítani.



**f) A tartozékok menetének egyeznie kell a köszőrüorsó menével.** Olyan tartozékoknál, amelyek peremesen illeszkednek, a befogótüskéhez való furatnak a tartozékban egyeznie kell a pozicionáló csókarima átmérőjével. Azok a tartozékok, amelyek nem illesznek a készülék szerelőtüskéjére, excentrikusan mozognak, túlságosan erősen vibrálnak, és a szerszám feletti kontroll elvesztését eredményezhetik.

**g) Ne használjon megrongálódott betétszerszámokat.** Vizsgálja meg minden egyes használat előtt a betétszerszámokat: ellenőrizze, nem pattogzott-e le és nem repedt-e meg a csiszolókorong, nincs-e eltörve, megrepedve, vagy nagy mértékben elhasználódva a csiszoló tányér, nincsenek-e a drótkéfében kilazult, vagy eltörtöt drótok. Ha az elektromos kéziszerszám vagy a betétszerszám leesik, vizsgálja felül, nem rongálódott-e meg, vagy használjon egy hibátlan betétszerszámot. Miután ellenőrizte, majd behelyezte a készüléke a betétszerszámot, tartózkodjon Ön sajátmaga és minden más a közelben található személy is a F18 betétszerszám síkján kívül és járassa egy percig az elektromos kéziszerszámot a legnagyobb fordulatszámmal. A megrongálódott betétszerszámok ezalatt a próbaidő alatt általában már széttörnek.

**h) Viseljen személyi védőfelszerelést.** Használjon az alkalmazásnak megfelelő teljes védőálcot, szemvédőt vagy védőszemüveget. Amennyiben célszerű, viseljen porvédő álcot, zajtompító fülvédőt, védő kesztyűt vagy különleges kötényt, amely távol tartja a csiszolószerszám- és anyagreszcskéket. Mindenképpen vedje meg a szemét a kirepülő idegen anyagoktól, amelyek a különböző alkalmazások során keletkeznek. A por- vagy védőálcarnak meg kell szűrnie a használat során keletkező port. Ha hosszú ideig ki van téve az erős zaj hatásának, elvesztheti a hallását.

**i) Ügyeljen arra, hogy a többi személy biztonságos távolságra maradjon az Ön munkaterületétől.** Minden olyan személynek, aki belép a munkaterületre, személyi védőfelszerelést kell viselnie. A munkadarab letört részei vagy a széttrött betétszerszámok kirepülhetnek és a közvetlen munkaterületen kívül és személyi sérülést okozhatnak.

**j) A készüléket a szigetelt markolatfelületeket fogva tartsa, ha olyan munkákat végez, melyeknél a vágószerszám rejtett elektromos vezetékekbe.** A vágószerszám feszültségvezető vezetékkel való érintkezésekor a készülék fém részei is feszültség alá kerülhetnek, és elektromos áramütés következhet be.

**k) Ne tegye le soha addig az elektromos szerszámot, amíg a mozgó szerszámrész nem állt le teljesen.** A forgásban lévő betétszerszám megérintheti a támasztó felületet, és Ön ennek következtében könnyen elvesztheti az uralmát az elektromos kéziszerszám felett.

**l) Ne járassa az elektromos kéziszerszámot, miközben azt a kezében tartja.** A forgó betétszerszám egy véletlen érintkezés során bekaphatja a ruháját és a betétszerszám belefűrődhat a testébe.

**m) Tisztítsa meg rendszeresen az elektromos kéziszerszáma szellőzőnyílásait.** A motor ventilátorra beszívja a port a házba, és nagyobb mennyiségű fémport felhalmozódása elektromos veszélyekhez vezethet.

**n) Ne használja az elektromos kéziszerszámot éghető anyagok közelében.** A szikrák ezeket az anyagokat meggyújtják.

**o) Ne használjon olyan betétszerszámokat, amelyek alkalmazásához folyékony hűtőanyagra van szükség.** Víz és egyéb folyékony hűtőanyagok alkalmazása áramütéshez vezethet.

#### Visszarugás és megfelelő figyelmeztető tájékoztatók

A visszarugás a beékelődő vagy leblokkoló forgó betétszerszám, például csiszolókorong, csiszoló tányér, drótkéfe stb. hirtelen reakciója. A beékelődés vagy leblokkolás a forgó betétszerszám hirtelen leállásához vezet. Ez az irányítatlan elektromos kéziszerszámot a betétszerszámnak a leblokkolási ponton fennálló forgási irányával szembeni irányban felgyorsítja.

Ha például egy csiszolókorong beékelődik, vagy leblokkol a megmunkálásra kerülő munkadarabban, a csiszolókorongnak a munkadarabra bemerülő éle leáll és így a csiszolókorong kiugorhat vagy egy visszarugást okozhat. A csiszolókorong ekkor a korongnak a leblokkolási pontban fennálló forgásiirányától függően a kezelő személy felé, vagy attól távolodva mozog. A csiszolókorongok ilyenkor el is törhetnek.

Egy visszarugás az elektromos kéziszerszám hibás vagy helytelen használatának következménye. Ezt az alábbiakban leírásra kerülő megfelelő óvatossági intézkedésekkel meg lehet gátolni.

**a) Tartsa szorosan fogva az elektromos kéziszerszámot, és hozza a testét és a karjait olyan helyzetbe, amelyben fel tudja venni a visszáúrt erőket.** Használja mindig a pótfogantyút, amennyiben létezik, hogy a lehető legjobban tudjon uralkodni a visszarugási erők, illetve felfutások a reakciós nyomatok felett. A kezelő személy megfelelő óvatossági intézkedésekkel uralkodni tud a visszarugási és reakcióerők felett.

**b) Sohase vigye a kezét a forgó betétszerszám közelébe.** A kiegészítő visszacsaphat a keze felett.

**c) Kerülje el a testével azt a tartományt, ahová egy visszarugás az elektromos kéziszerszámot mozgatja.** A visszarugás az elektromos kéziszerszámot a csiszolókorongnak a leblokkolási pontban fennálló forgásiirányával ellentétes irányba hajtja.

**d) A sarkok és élek közelében különösen óvatosan dolgozzon, akadályozza meg, hogy a betétszerszám lepattanjon a munkadarabról, vagy beékelődjön a munkadarabra. A forgó betétszerszám a sarkonál, élénél és lepattanás esetén könnyen beékelődik.** Ez a készülék feletti uralom elvesztéséhez, vagy egy visszarugáshoz vezet.

**e) Ne használjon lánrfűrészlapot vagy fogazott fűrészlapot.** Az ilyen szerszámkalktrészek gyakran visszacsapódást okoznak, vagy ahhoz vezetnek, hogy kontrollálhatatlanná válik az elektromos szerszám.

#### Külön figyelmeztetések és tájékoztató a csiszoláshoz és daraboláshoz

**a) Kizárólag az Ön elektromos kéziszerszámaéhoz engedélyezett csiszolótesteket és az ezen csiszolótestekhez előirányzott védőbúrákat használja.** A nem az elektromos kéziszerszámmalhoz szolgáló csiszolótesteket nem lehet kielégítő módon letakarni és ezért ezek nem biztonságosak.

**b) A hajlított csiszolókorongokat úgy kell felszerelni, hogy a csiszolófelületük ne érjen túl a védőburkolat szélének síkján.** A szakszerűtlenül felszerelt csiszolókorong, amely túlnyúlik a védőburkolat szélének síkján, nem fedhető el megfelelő mértékben.

**c) Mindig csak azt a védőbúrát használja, amely az Ön által beszerelt csiszolótesthez van előirányozva.** A védőbúrát biztonságosan kell felszerelni az elektromos kéziszerszáma és úgy kell beállítani, hogy az a lehető legnagyobb biztonságot nyújtsa, vagyis a csiszolótestnek csak a lehető legkisebb része mutasson a kezelő felé. A védőburkolat a kezelőt védi a letört tárcsadaraboktól, a tárcsa véletlen megérintésétől és a szikráktól, melyek begyűjthatnak a ruházatot.

**d) A csiszolótesteket csak az azok számára javasolt célokra szabad használni.** Például: Sohase csiszoljon egy hasítókorong oldalsó felületével. A hasítókorongok arra vannak méretezve, hogy az anyagot a korong élével munkálják le. Az ilyen csiszolótestekre ható oldalirányú erő a csiszolótest töréséhez vezethet.

**e) Használjon mindig hibátlan, az Ön által választott csiszolókorongnak megfelelő méretű és alakú befogókarimát.** A megfelelő karimák megtámasztják a csiszolókorongot és így csökkentik a csiszolókorong eltörésének veszélyét. A hasítókorongokhoz szolgáló karimák különbözhetnek a csiszolókorongok számára szolgáló karimáktól.

**f) Ne használjon nagyobb elektromos kéziszerszámokhoz szolgáló elhasználatott csiszolótesteket.** A nagyobb elektromos kéziszerszámokhoz szolgáló csiszolókorongok nincsenek a kisebb elektromos kéziszerszámok magasabb fordulatszámára méretezve és széttröhethetnek.

#### További különleges figyelmeztető tájékoztató a daraboláshoz

**a) Kerülje el a hasítókorong leblokkolását, és ne gyakoroljon túl erős nyomást a készülékre.** Ne végezzen túl mély vágást. A túlterhelés megnöveli a csiszolótest igénybevételét és beékelődési vagy leblokkolási hajlamát és visszarugáshoz vagy a csiszolótest töréséhez vezethet.

**b) Kerülje el a forgó hasítókorong előtti és mögötti tartományt.** Ha a hasítókorongot a munkadarabban magától eltávolodva mozgatja, akkor az elektromos kéziszerszám a forgó koronggal visszarugás esetén közvetlenül Ön felé pattan.

**c) Ha a hasítókorong beékelődik, vagy ha Ön megszakítja a munkát, kapcsolja ki az elektromos kéziszerszámot és tartsa azt nyugodtan, amíg a korong teljesen leáll.** Sohase próbálja meg kihúzni a még forgó hasítókorongot a vágásból, mert ez visszarugáshoz vezethet. Határozza meg és hárítsa el a beékelődés okát.

**d) Addig ne kapcsolja ismét be az elektromos kéziszerszámot, amíg az még benne van a munkadarabban.** Várja meg, amíg a hasítókorong eléri a teljes fordulatszámát, mielőtt óvatosan folytatná a vágást. A korong ellenkező esetben beékelődhet, kiugorhat a munkadarabból, vagy visszarugáshoz vezethet.

**e) Támassa fel a lemezeket vagy nagyobb munkadarabokat, hogy csökkentsen egy beékelődő hasítókorong következtében fellépő visszarugás kockázatát.** A nagyobb munkadarabok saját súlyuk alatt meghajolhatnak. A munkadarabot mindkét oldalán, és mind a vágási vonal közelében, mind a szélénél alá kell támasztani.

**f) Különösen óvatosan kell eljárni, ha meglévő falakba vagy más nem belátható területeken „zsebeket vágunk”.** Az anyagba behatoló hasítókorong gáz- vagy vízvezetékbe, elektromos vezetékekbe vagy más tárgyakra ütközhet, amelyek visszarugást okozhatnak.

#### Külön figyelmeztetések és tájékoztató a csiszolópapír alkalmazásával történő csiszoláshoz:

**a) Ne használjon túl nagy csiszolólapokat, hanem kizárólag a gyártó által előírt méretet.** A csiszoló tányéron túl kilógó csiszolólapok személyi sérülést okozhatnak, valamint a csiszolólapok leblokkolásához, széttrépedéséhez, vagy visszarugáshoz vezethetnek.

#### Külön figyelmeztetések és tájékoztató a drótkéfével végzett munkákhoz:

**a) Vegye figyelembe, hogy a drótkéfe szokásos használat esetén is veszít drótdarabokat.** Túl erős rányomással ne terhelje túl a drótokat. A szétrepülő drótdarabok nagyon könnyen áthatolhatnak a vékony ruházaton és/vagy a bőrön.

**b) Ha egy védőbúrát célszerű alkalmazni, akadályozza meg, hogy a védőbúra és a drótkéfe megérintse egymást.** A tárgy- és csészealakú kefék átmérője a berendezésre gyakorolt nyomás és a centrifugális erők hatására megnövekedhet.

#### TOVÁBBI BIZTONSÁGI ÉS MUNKA VÉGZÉSI UTASÍTÁSOK

A szerszám bekapcsolása előtt mindig ügyeljen arra, hogy az orsórethesz gomb teljesen ki legyen oldva! Ha az orsórethesz a csiszolókorong megszorításához/lazításához használja, előfordulhat, hogy a gomb zárt állásban ragad.

Fémek csiszolásakor szikra keletkezhet. Ügyeljen a közelben tartózkodó személyek testi egészségére, illetve a gyűlékony anyagokat távolítsa el a munkaterületről. Ne használjon porszívót.

Kerülje el, hogy a szikrahullás és a csiszoláskor keletkező por a testével érintkezzen.

A működő készülék munkaterületére nyúlni balesetveszélyes és tilos.

A munka közben keletkezett forgácsokat, szilkánkokat, törmelékét, stb. csak a készülék teljes leállása után szabad a munkaterületről eltávolítani.

A készüléket azonnal ki kell kapcsolni, ha szokatlanul erős rezgés vagy más, hibára utaló jelenség lépne fel. Vizsgálja meg a készüléket, hogy mi lehet a helytelen működés oka.

Szükséges körülmények között (pl. fémek simítása-csiszolása tengellyel és vulkanizált rostból készült csiszolótárcsával) jelentős

mértékű szennyeződés képződhet a sarokcsiszoló belsejében.

Rövidzárat veszélye miatt a szellőzőnyílásokba nem kerülhetnek fémdarabkák.

**FIGYELMEZTETÉS!** Égési sérülések veszélye! A korong és a munkadarab használat közben felmelegszik. Korongcsere és a munkadarabbal való érintkezés esetén viseljen védőkesztyűt. A kezét mindig tartsa távol a csiszolási területtől.

**FIGYELMEZTETÉS!** A rövidzárat általi tűz, sérülések vagy termékkárosodások veszélye elkerülhetetlen meherite a szerszámot, a cserélhető akkut vagy a töltőkészüléket folyadékokba, és gondoskodjon arról, hogy ne hatoljanak folyadékok a készülékekbe és az akkuba. A korrozív hatású vagy vezetőképes folyadékok, mint pl. a sós víz, bizonyos vegyi anyagok, fehértitók vagy fehértitó tartalmú termékek, rövidzáratot okozhatnak.

Az akkumulátort, töltsd nem szabad megbontani és kizárólag száraz helyen szabad tárolni. Nedvességtől óvni kell.

Az M18 elnevezésű rendszerhez tartozó akkumulátorokat kizárólag a rendszerhez tartozó töltővel töltsd fel. Ne használjon más rendszerbe tartozó töltőt.

#### RENDELTESSZERŰ HASZNÁLAT

A sarokcsiszoló fém, kő, beton és kerámia anyagok köszőrülésére és vágására, valamint csiszolásra és drótkéfézésre szolgál.

Vágási alkalmazásokhoz a tartozékok közül használja a vágósapkát.

Kétséges esetben fi gyelembe kellvenni a tartozék gyártójának útmutatásait.

Az elektromos szerszám csak száraz megmunkálásra alkalmas.

A sarokcsiszolónak kizárólag a jelen kézikönyv termékleírás részében leírtaknak megfelelő csiszoló- vagy vágókorongot, valamint védőburkolatot (csiszolás- vagy vágóvédelmi burkolat) szabad felszerelni. A sarokcsiszoló kézi használatra szánt eszköz, szerelvényre vagy munkapadra nem szabad felszerelni. A terméket csak rendeltetés szerűen használja.

#### FENNMARADÓ VESZÉLYEK

Szabályos használat esetén sem lehet minden fennmaradó kockázatot kizárni. A használat során a következő veszélyek keletkezhetnek, amelyekre a kezelőnek különösen figyelnie kell:

- Vibráció okozta sérülések. A készülék az e célra szolgáló markolatoknál fogja meg és korlátozza a munka- és expozíciós időt.
- A zajterhelés halláskárosodást okozhat. Viseljen hallásvédőt és korlátozza az expozíciós időt.
- Szennyrészcskékk által okozott szemsérülések. Viseljen mindig védőszemüveget, erős hosszú nadrágot, kesztyűt és ellenálló lábbelit.
- Mérgező porok belélegzése

#### LI-ION AKKUKRA VONATKOZÓ ÚTMUTATÁSOK

##### Li-ion akkuk használata

A hosszabb ideig üzemben kívüli lévő akkumulátort használat előtt ismételtelen fel kell tölteni.

50°C feletti hőmérsékletnél csökkenhet az akkumulátor teljesítménye. Kerülni kell a túlzottan meleg helyen vagy napon történő hosszabb idejű tárolást.

A töltő és az akkumulátor csatlakozóit mindig tisztán kell tartani.

Az optimális élettartam érdekében használat után az akkukat teljesen fel kell tölteni.

A lehetőleg hosszú élettartamhoz az akkukat feltöltés után ki kell venni a töltőkészülékből.

Az akku 30 napot meghaladó tárolása esetén:

Az akkut kb. 27 °C-on, száraz helyen kell tárolni.

Az akkut kb. 30-50%-os töltöttségi állapotban kell tárolni.

Az akkut 6 havonta újra fel kell tölteni.

##### Akkutúlterhelés elleni védelem Li-ion akkunál

Az akku nagyon nagy áramfelhasználása következtében fellépő



túlterhelése esetén - pl. rendkívül magas forgatónyomatékok, a fűró megszorulása, hirtelen leállás vagy rövidzárlat miatt – az elektromos szerszám 5 másodpercen keresztül vibrál, a töltéskijelző villog és az elektromos szerszám magától kikapcsol.

Az újbóli bekapcsoláshoz engedje el a nyomókapcsolót, majd kapcsolja be ismét. Rendkívüli terheléseknél az akku túlságosan felmelegszik. Ebben az esetben a töltéskijelző minden lámpája addig villog, amíg az akku le nem hűl. Ha a töltéskijelző kialszik, utána tovább lehet dolgozni.

#### Lítium-ion akkuk szállítása

A lítium-ion akkuk a veszélyes áruk szállítására vonatkozó törvényi rendelkezések hatálya alá tartoznak.

Az ilyen akkuk szállításának a helyi, országos és nemzetközi előírások és rendelkezések betartása mellett kell történnie.

A fogyasztók minden további nélkül szállíthatják az ilyen akkukat közúton.

A lítium-ion akkuk szállítmányozási vállalatok általi kereskedelmi célú szállítására a veszélyes áruk szállítására vonatkozó rendelkezések érvényesek. A kiszállítás előkészítését és a szállítást kizárólag megfelelő képzettségű személyek végezhetik. A teljes folyamatnak szakmai felügyelet alatt kell történnie.

A következő pontokat kell figyelembe venni akkuk szállításakor:

Biztosítsa, hogy a rövidzárlatok elkerülése érdekében az érintkezők védve és szigetelve legyenek.

Ügyeljen arra, hogy az akkucsomag ne tudjon elcsúszni a csomagoláson belül. Tilos sérült vagy kifolyt akkukat szállítani. További útmutatásokért forduljon szállítványozási vállalatához.

#### A HASZNÁLATRA VONATKOZÓ ÚTMUTATÁSOK

##### Túlterhelés és visszacsapás elleni védelem

A készülék túlterhelés és visszarágás elleni funkcióval rendelkezik, és megfelelő túlterhelésnél leáll. Kapcsolja ki a villamos szerszámot, majd a munka folytatásához kapcsolja be újraz.

##### Lágyindítás

Elektronikus lágyindítás a biztonságos használat érdekében; megelőzi a gép lökészerű felfutását.

Azoknál a szerszámoknál amelyeket menetes csiszolókkal kíván használni, győződjön meg róla, hogy a csiszoló elég hosszú ahhoz, hogy elfogadja a tengely hosszát.

A vágó- és csiszolókorongokat mindig a gyártó útmutatásainak megfelelően kell használni és tárolni.

Köszörüléshez és vágáshoz a védőburkolatot mindig használni kell.

A hajlított csiszolókorongokat úgy kell felszerelni, hogy a csiszolófelületük ne érjen túl a védőburkolat szélének síkján.

A készülék használata előtt vizsgálja meg, hogy a szorítóanya megfelelően meg van-e húzva.

A készüléket a segédfogantyúval együtt kell használni.

A munkadarabot rögzíteni kell, amennyiben saját súlya nem tartja meg biztonságosan. A munkadarabot soha nem szabad kézzel vezetni a korong irányába.

A karimás anyát a gép üzembe helyezése előtt erősen meg kell húzni. Ha a betétszerszámot nem húzzák meg erősen a karimás anyával, akkor fennáll annak a lehetősége, hogy a szerszám lefékezéskor elveszíti a szükséges feszítőerőt.

##### TISZTÍTÁS

A készülék szellőzőnyílásait mindig tisztán kell tartani.

#### KARBANTARTÁS

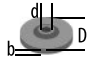



Csak Milwaukee tartozékokat és Milwaukee pótalkatrészeket szabad használni. Az olyan elemeket, melyek cseréje nincs ismertetve, cseréltesse ki Milwaukee szervizzel (lásd Garancia/Ügyfélszolgálat címei kiadványt).

Szükség esetén a készülékek robbantott ábráját - a készülék típusa és azonosító száma alapján a területileg illetékes TTI márkaszerviztől vagy közvetlenül a gyártótól (Technic Industries GmbH, Max-Eyth-Straße 10, 71364 Winnenden, Germany) lehet kérni.

#### SZIMBÓLUMOK

	Kérjük alaposan olvassa el a tájékoztatót mielőtt a gépet használja.
	FIGYELEM! FIGYELMEZTETÉSI VESZÉLY!
	Karbantartás, javítás, tisztítás, stb. előtt az akkumulátort ki kell venni a készülékből.
	Ne használja a védőburkolatot darabolási műveletekre.
	Ne alkalmazzon erőt.
	Alkalmazzon erőt.
	Munkavégzés közben ajánlatos védőszemüveget viselni.
	Viseljen hallásvédőt.
	Hordjon e célra alkalmas porvédőmaszkot.
	Hordjon védőkesztyűt!
	Mindig két kézzel működtesse.
	Csak csiszolási munkákhoz.
	Csak vágási munkákhoz.
	Ügyeljen a megengedett korongvastagságra.
	Azokat a tartozékokat, amelyek gyárilag nincsenek a készülékhez mellékelve, külön lehet megrendelni.

	Az elektromos eszközöket nem szabad a háztartási hulladékkal együtt ártalmatlanítani. Az elektromos és elektronikus eszközöket szelektíven kell gyűjteni, és azokat környezetbarát ártalmatlanítás céljából hulladékhasznosító üzemben kell leadni. A helyi hatóságoknál vagy szakkereskedőjénél tájékozódjon a hulladékudvarokról és gyűjtőhelyekről.
$n_p$	Néveleges fordulatszám
V	Feszültség
	Egyenáram
	Európai megfelelőségi jelölés
	Egyesült királyságbeli megfelelőségi jelölés
	Ukrán megfelelőségi jelölés
001	
	Eurázsiai megfelelőségi jelölés

TEHNIČNI PODATKI	M18 FSAG115X	M18 FSAG125X
Model	Baterijske kotni brusilniki	Baterijske kotni brusilniki
Proizvodna številka	4830 49 01 XXXXX MJJJJ	4830 56 01 XXXXX MJJJJ
Napetost izmenljivega akumulatorja	18 V	18 V
Nazivno število vrtljajev	8500 min <sup>-1</sup>	8500 min <sup>-1</sup>
Vretenasti navoj	M14	M14
D=Brusilne plošče ø maks.	115 mm	125 mm
d=vrtanje - ø	22,2 mm	22,2
 b=Debelina brusne plošče maks.	6 mm	6 mm
 b=Debelina rezalne plošče maks. / min.	3 mm / 1 mm	3 mm / 1 mm
 D=Premer brusilne plošče maks.	115 mm	125 mm
 D=Žične ščetke-ø maks.	75 mm	75 mm

Teža po EPTA-proceduri 01/2014 (Li-Ion 2,0 Ah ... 12,0 Ah)	2,4 ... 3,4 kg	2,4 ... 3,5 kg
Priporočena temperatura okolice za obratovanje	-18 ... +50 °C	
Priporočeni kompleti akumulatorjev	M18B...; M18HB...	
Priporočeni polnilniki	M12-18...; M1418C6	

<b>Informacije o hrupnosti:</b> Vrednosti merjenja ugotovljene ustrežno z EN 60745. Raven hrupnosti naprave ovrednotena z A, znaša tipično:		
Nivo zvočnega tlaka / Nevarnost K	82,7 dB(A) / 3 dB(A)	82,7 dB(A) / 3 dB(A)
Višina zvočnega tlaka / Nevarnost K	93,7 dB(A) / 3 dB(A)	93,7 dB(A) / 3 dB(A)

<b>Nosite zaščito za sluh!</b>		
<b>Informacije o vibracijah:</b> Skupna vibracijska vrednost (Vektorska vsota treh smerdoločena ustrežno EN 60745.		
Vibracijska vrednost emisij a <sub>v</sub> / Nevarnost K		
Brušenje površin	4,8 m/s <sup>2</sup> / 1,5 m/s <sup>2</sup>	5,5 m/s <sup>2</sup> / 1,5 m/s <sup>2</sup>
Brušenje s smirkovim papirjem	1,1 m/s <sup>2</sup> / 1,5 m/s <sup>2</sup>	1,9 m/s <sup>2</sup> / 1,5 m/s <sup>2</sup>

Pri uporabi za druge namene, kot npr. rezanje ali brušenje z jeklenožično krtačo, se lahko izkažejo drugačne vibracijske vrednosti!

## ⚠ OPOZORILO!

Raven vibracij in hrupa, navedena v tem informativnem listu, je bila izmerjena v skladu s standardiziranim preskusom iz EN 60745 in jo je mogoče uporabljati za primerjavo orodij med seboj. Mogoče jo je tudi uporabiti za predhodno oceno izpostavljenosti.

Navedena raven vibracij in hrupa predstavlja glavno uporabo orodja. Če pa se orodje uporablja za različne namene, z različnimi dodatki ali slabo vzdrževano, se lahko vibracije in hrup razlikujejo. To lahko znatno poveča raven izpostavljenosti v celotnem delovnem obdobju.

Pri očni ravni izpostavljenosti vibracijam in hrupu je treba upoštevati tudi čas, ko je orodje izklopljeno ali ko teče, vendar dejansko ne opravlja dela. To lahko bistveno zmanjša raven izpostavljenosti v celotnem delovnem obdobju.

Ugotovite dodatne varnostne ukrepe za zaščito upravljalca pred učinki vibracij in/ali hrupa, kot so: vzdrževanje orodja in dodatkov, tople roke, organizacija delovnih vzorcev.

## ⚠ OPOZORILO! Preberite vsa varnostna opozorila in navodila.

Napake zaradi neupoštevanja spodaj navedenih opozoril in napotil lahko povzročijo električni udar, požar in/ali težke telesne poškodbe.

**Vsa opozorila in napotila shranite, ker jih boste v prihodnje še potrebovali.**

### VARNOSTNA NAVODILA ZA KOTNO BRUSILKO

Skupna opozorila za brušenje, brušenje z brusnim papirjem, delo z žičnimi ščetkami, poliranje in rezanje:

- a) To električno orodje se lahko uporablja za brušenje, brušenje z brusnim papirjem, brušenje z žično ščetko rezalni stroj. Upoštevajte vsa opozorila, navodila, slikovne prikaze in podatke, ki ste jih prejeli skupaj z električnim orodjem. Zaradi nespoštovanja spodaj navedenih navodil lahko pride do električnega udara, požara in/ali težkih telesnih poškodb.
- b) To električno orodje ni primerno za poliranje. Uporaba za katero stroj ni predviden, lahko povzroči nevarnosti in poškodbe.

c) Ne uporabljajte pribora, ki ga proizvajalec za to orodje ni specialno predvidel in katerega uporabe ne priporoča. Zgolj dejstvo, da lahko nek pribor pritrđite na Vaše električno orodje, še ne zagotavlja varne uporabe.

d) Dovoljeno število vrtljajev uporabljenega orodja mora biti vsaj tako visoko, kot je največje število vrtljajev električnega orodja. Pribor, ki se vrtil hitreje od dovoljenega števila vrtljajev, se lahko polomi in razleti.

e) Zunanji premer in debelina vsadnega orodja morata ustrezati meram Vašega električnega orodja. Napačno dimenzionirani vsadnih orodij ne boste mogli dovolj dobro zavarovati ali nadzorovati.

f) Navoji delov pribora se morajo ujemati z navoji brusilnih vreten. Pri prirobnicnih delih pribora, se mora izvrtina vpenjalnega trna ujemati s premerom lokalizacijske prirobnice. Deli pribora, ki ne pašejo na pritrđilni trn naprave, tečejo ekscentrično, vibrirajo s prekomerno močjo in lahko privedejo do izgube nadzora nad orodjem.

g) Ne uporabljajte poškodovanih vsadnih orodij. Pred vsako uporabo preglejte brusilne kolute, če se ne luščijo oziroma če nimajo razpok, brusilne krožnike, če nimajo razpok oziroma če niso mogoče obrabljani ali izrabljeni, žične ščetke pa, če nimajo zrahljanih ali odlomljenih žic. Če pade električno orodje ali vsadno orodje na tla, pogledajte, če ni poškodovano in uporabljajte samo nepoškodovana vsadna orodja. Po kontroli in vstavljanju vsadnega orodja se ne zadržujte v ravnini vrtečega se vsadnega orodja, kar velja tudi za druge osebe v bližini. Električno orodje naj eno minuto deluje z najvišjim številom vrtljajev. Poškodovana vsadna orodja se največkrat zlomijo med tem preizkusnim časom.

h) Uporabljajte osebno zaščitno opremo. Odvisno od vrste uporabe si natakните zaščitno masko čez cel obraz, zaščito za oči ali zaščitna očala. Če je potrebno, nosite zaščitno masko proti prahu, zaščitne slušnice, zaščitne rokavice ali specialni predpasnik, ki Vas bo zavaroval pred manjšimi delci materiala, ki nastajajo pri brušenju. Oči je treba zavarovati pred tučki, ki nastajajo pri različnih vrstah uporabe naprave in letijo naokrog. Zaščitna maska proti prahu ali dihalna maska morata filtrirati prah, ki nastaja pri uporabi. Predolgo izpostavljanje glasnemu hrupu ima lahko za posledico izgubo sluha.

i) Pazite, da bodo druge osebe varno oddaljene od Vašega delovnega območja. Vsak, ki stopi na delovno območje, mora nositi osebno zaščitno opremo. Odlomljeni delci obdelovanca ali zlomljena vsadna orodja lahko odletijo stran in povzročijo telesne poškodbe, tudi izven neposrednega delovnega območja.

j) Kadar izvajate dela pri katerih lahko orodje zadane prikrito električno napeljavno, je napravo potrebno držati za izolirane prijemalne površine. Stik rezalnega orodja z napetostnim vodnikom napeljavne lahko privede kovinske dele naprave pod napetost in vodi do električnega udara.

k) Ne odlagajte električno napravo vse dokler se električna naprava ni popolnoma umirila. Vrteče se vsadno orodje lahko pride v stik z odlagalno površino, zaradi česar lahko izgubite nadzor nad električnim orodjem.

l) Električno orodje naj medtem, ko ga prenašate naokrog, ne deluje. Vrteče se vsadno orodje lahko zaradi naključnega kontakta zagrablji Vaše oblačilo in se zavrti v Vaše telo.

m) Prezračevalne reže Vašega električnega orodja morate redno čistiti. Ventilator motorja povleče v ohišje prah in velika količina nabrane prahu je lahko vzrok za električno nevarnost.

n) Ne uporabljajte električnega orodja v bližini gorljivih materialov. Ti materiali se lahko zaradi iskenja vnamejo.

o) Ne uporabljajte vsadnih orodij, ki za hlajenje potrebujejo tekočino. Uporaba vode ali drugih tekočin lahko povzroči električni udar.

### Povratni udarec in ustrežna opozorila

Povratni udarec je nenadna reakcija, ki nastane zaradi zagodenja ali blokiranja vrtečega se vsadnega orodja, na primer brusilnega koluta, brusilnega krožnika, žične ščetke in podobnega. Zagodenje ali blokiranje ima za posledico takojšnje ustavitve vrtečega se vsadnega orodja. Nekontrolirano električno orodje se zaradi tega pospešeno premakne v smer, ki je nasprotna smeri vrtenja vsadnega orodja.

Če se na primer brusilni kolut zatakne ali zablokira v obdelovancu, se lahko rob brusilnega koluta, ki je potopljen v obdelovane, zaplete vanj in brusilni kolut se odlopi ali povzroči povratni udarec. Brusilni kolut se nato premakne proti uporabniku ali proč od njega, odvisno od smeri vrtenja brusilnega koluta na mestu blokiranja. Blokirni koluti se lahko pri tem tudi zlomijo.

Povratni udarec je posledica napačne ali pomanjkljive uporabe električnega orodja. Preprečite ga lahko z ustreznimi previdnostnimi ukrepi. Navedeni so v nadaljevanju besedila.

a) Dobro držite električno orodje in premaknite telo in roke v položaj, v katerem boste lahko prestregli moč povratnega udarca. Če je na voljo dodatni ročaj, ga obvezno uporabljajte in tako zagotovite najboljše možno nadziranje moči povratnih udarcev ali reakcijskih momentov pri zagonu naprave. Z ustreznimi previdnostnimi ukrepi lahko uporabnik obvlada moč povratnih udarcev in reakcijskih momentov.

b) Nikoli z roko ne segajte v bližino vrtečih se vsadnih orodij. Dodatna oprema lahko udari nazaj čez vašo roko.

c) Ne približujte telesa področju, v katerega se lahko v primeru povratnega udarca premakne električno orodje. Povratni udarec potisne električno orodje v smer, ki je nasprotna smeri premikanja brusilnega koluta na mestu blokiranja.

d) Posebno previdno delajte v kotih, na ostrih robovih in podobnih površinah. Preprečite, da bi vsadna orodja odskočila od obdelovanca in se zagodila. Vrteče se vsadno orodje se v kotih, na ostrih robovih ali če odskoči, zlahka zagoddi. To povzroči izgubo nadzora ali povratni udarec.

e) Ne uporabljajte verižni ali nazobčani žagin list. Tako delovno orodje povzroči pogosto povratni udarec ali izgubo kontrole nad električno napravo.

### Posebna opozorila za brušenje in rezanje

a) Uporabljajte samo brusila, ki so atestirana za Vaše električno orodje in zaščitni pokrov, predviden za ta brusila. Brusil, ki niso predvidena za Vaše električno orodje, ne boste mogli dobro zavarovati in so zato nevarna.

b) Izbočene brusne plošče je treba montirati tako, da njihova brusna površina ne bo segala izven ravnih robov ščitnika. Nepravilno montirane brusne plošče, ki sega čez raven ščitnika, ni mogoče v zadostni meri zaščititi.

c) Vedno uporabljajte zaščitni pokrov, ki je predviden za vrsto brusila, ki ga uporabljate. Zaščitni pokrov mora biti varno nameščen na električno orodje in pritrjen tako, da bo zagotovil največje možno mero varnosti, kar pomeni, da mora biti proti uporabniku obrnjen najmanjši del odprtega brusila. Zaščitna priprava štiti upravljalca pred zlomljenimi delci plošče, nenamernim stikom s ploščo in iskrami, ki lahko vnamejo oblačila.

d) Brusila lahko uporabljate samo za vrste uporabe, ki jih priporoča proizvajalec. Na primer: Nikoli ne brusite s stransko ploskvijo rezalne plošče. Rezalne plošče so namenjene odstranjevanju materiala z robom plošče. Brusilo se lahko zaradi bočnega delovanja sile zlomi.

e) Za izbrani brusilni kolut vedno uporabljajte nepoškodovane vpenjalne prirobnice pravilne velikosti in oblike. Ustrezne prirobnice podpirajo brusilni kolut in tako zmanjšujejo nevarnost, da bi se kolut zlomil. Prirobnice za rezalne plošče se lahko razlikujejo od prirobnic za druge brusilne kolute.

f) Ne uporabljajte obrabljenih brusilnih kolotov večjih električnih orodij. Brusilni koluti za večja električna orodja niso konstruirana za višje število vrtljajev, s katerimi delujejo manjša električna orodja in se lahko zato zlomijo.

### Ostala posebna opozorila za rezanje

a) Izogibajte se blokiranju rezalne plošče ali premočnemu pritiskanju na obdelovane. Ne delajte pretirano globokih rezov. Preobremenjenost rezalne plošče se poveča, prav tako dovzetnost za zatikanje ali blokiranje in s tem možnost povratnega udarca ali zloma brusila.

b) Izogibajte se področja pred in za vrtečo se rezalno ploščo. Če boste rezalno ploščo, ki je v obdelovancu, potisnili stran od sebe, lahko električno orodje v primeru povratnega udarca skupaj z vrtečim se kolutom odleti naravnost v Vas.

c) Če se rezalna plošča zagoddi ali če prekinete z delom, električno orodje izklopite in ga držite pri miru, dokler se kolot popolnoma ne ustavi. Nikoli ne poskušajte rezalne plošče, ki se še vrtil, potegniti iz reza, ker lahko pride do povratnega udarca. Ugotovite in odstranite vzrok zagodenja.

d) Dokler se električno orodje nahaja v obdelovancu, ga ne smete ponovno vklopiti. Počakajte, da bo rezalna plošča dosegla polno število vrtljajev in šele potem previdno nadaljujte z rezanjem. V nasprotnem primeru se lahko plošča zatakne, skoči iz obdelovanca ali povzroči povratni udarec.

e) Ploščje ali velike obdelovance ustrežno podprite in tako zmanjšajte tveganje povratnega udarca zaradi zatakne rezalne plošče. Veliki obdelovanci se lahko zaradi lastne teže upognejo. Obdelovane mora biti podprt z obeh strani, pa tudi v bližini reza in na robu.

f) Posebej previdni bodite pri „rezanju žepov“ v obstoječe zidove ali druga območja. Pogrezajoča se rezalna plošča lahko pri zarezovanju v plinske ali vodovodne cevi ter električne vodnike in druge predmete povzroči povratni udarec.

#### Posebna opozorila za brušenje z brusnim papirjem:

a) Ne uporabljajte predimenzioniranih brusilnih listov, temveč upoštevajte podatke proizvajalca o velikosti žaginega lista. Brusilni listi, ki gledajo čez brusilni krožnik, lahko povzročijo telesne poškodbe ali pa blokiranje in trganje žaginega lista oziroma povratni udarec.

#### Posebna opozorila za delo z žičnimi ščetkami:

a) Upoštevajte, da žična krtača izgublja kose žice tudi med običajno uporabo. Žic ne preobremenjujte preveč s pritiskom. Vstran leteči kosi žice lahko zelo lahko prodrejo skozi tanka oblačila in/ali kožo.

b) Če je za delo priporočljiva uporaba zaščitnega pokrova, preprečite, da bi se zaščitni pokrov in žična ščetka dotikala. Premer diskastih in lončastih žičnih ščetk se lahko zaradi pritiskanja nanje in zaradi delovanja centrifugalnih sil poveča.

#### NADALJNA VARNOSTNA IN DELOVNA OPOZORILA

Preden vklopite orodje, preverite, ali je gumb za blokado vretena popolnoma sproščen! Po uporabi blokade vretena za privijanje/odvijanje brusilne plošče je mogoče, da tipka ostane v položaju zaklepanja.

Pri brušenju kovin nastaja iskenje. Pazite na to, da ne ogrožate nobenih oseb. Zaradi nevarnosti požara se v bližini (na področju iskenjne smeje nahajati nobeni gorljivi materiali. Ne uporabljajte odsesavanja prahu.

Izogibajte se temu, da bi iskenje in brusilni prah zadevali v telo.

Ne segajte na področje nevarnosti tekočega stroja.

Trske ali iveri se pri tekočem stroju ne smejo odstranjevati.

Napravo takoj izklopite, če nastopijo znatne vibracije ali če ugotovite drugačne pomanjkljivosti. Preverite stroj, da ugotovite vzrok.

Pod ekstremnimi pogoji (npr. gladko brušenje kovin z dročnikom in brusilnim kolutom iz vulkaniziranih vlaken), se lahko v notranjosti brusilnika nabere občutna količina umazanije.

Zaradi nevarnosti kratkega stika kovinski deli ne smejo zaiti v špranje za prezračevanje.

OPOZORILO! Nevarnost opeklin! Plošča in obdelovanec se med delovanjem močno segrejeta. Nosite rokavice med menjavo plošče ali če se dotikate obdelovanca. Rok nikoli ne približujte brusilnemu območju.

OPOZORILO! V izogib, s kratkim stikom povzročene nevarnosti požara, poškodb ali okvar na proizvodu, orodja, izmenljivega akumulatorja ali polnilne naprave ne potapljajte v tekočine in poskrbite, da ne bo prihajalo do vdora tekočin v napravo in akumulatorje. Korozivne ali prevodne tekočine, kot so slana voda, določene kemikalije in belila ali proizvodi, ki le ta vsebujejo, lahko povzročijo kratak stik.

Izmenljivih akumulatorjev in polnilnih aparatov ne odpirajte in jih hranite samo v suhih prostorih. Zaščitite jih pred mokroto.

Izmenljive akumulatorje sistema M18 polnite samo s polnilnimi aparati sistema M18. Ne polnite nobenih akumulatorjev iz drugih sistemov.

#### UPORABA V SKLADU Z NAMEMBOSTJO

Kotni brusilnik je predviden za brušenje in rezanje kovine, kamna, betona in keramike ter za peščeno brušenje in žičenje.

Za rezalno aplikacijo uporabite rezalni pokrov iz ponudbe pribora.

Kadar ste v dvomu upoštevajte navodila proizvajalcapribora.

Električno orodje je primerno zgolj za suho obdelavo.

Na kotni brusilnik je treba namestiti samo ustrezno brusilne ali rezilne plošče, kot je opisano v razdelku o specifikacijah izdelka tega priložnika. Kotni brusilnik je zasnovana za ročno uporabo; ni ga dovoljeno namestiti na držalo ali delovno mizo.

Izdelka ne uporabljajte na noben drugačen način od navedenega za predvideno uporabo.

#### PREOSTALE NEVARNOSTI

Tudi pri pravilni uporabi vseh pretalih tveganj ni mogoče izključiti. Pri uporabi lahko pride do sledečih nevarnosti, na katere naj bo uporabnik zmeraj pozoren:

- Vsled vibracij povzročene poškodbe. Napravo držite za temu namenu predvidene ročaje in omejite čas dela in izpostavljenosti.
- Obremenitev s hrupom lahko privede do poškodb sluha. Nosite zaščitno sluha in omejite dovo izpostavljenosti.
- Vsled delcev nečistoč povzročene poškodbe oči. Nosite zmeraj zaščitna očala, močne dolge hlače, rokavice in močno obutev.
- Vdihavanje nevarnih prahov.

#### NAPOTKI ZA LITIJ-IONSKE AKUMULATORJE

##### Uporaba litij-ionskih akumulatorjev

Izmenljive akumulatorje, ki jih daljši čas niste uporabljali, pred uporabo naknadno napolnite.

Temperatura nad 50°C zmanjšuje zmogljivost izmenljivega akumulatorja. Izogibajte se daljšemu segrevanju zaradi sončnih žarkov ali gretja.

Pazite, da ostanejo priključni kontakti na polnilnem aparatu in izmenljivem akumulatorju čisti.

za optimalno življenjsko dobo je potrebno akumulatorje po uporabi do konca napolniti.

Za čim daljšo življenjsko dobo naj se akumulatorji po napolnitvi vzamejo ven iz naprave za polnjenje.

Pri skladiščenju akumulatorjev dalj kot 30 dni:

Akumulator skladiščiti pri 27°C in na suhem.

Akumulator skladiščiti pri 30%-50% stanja polnjenja.

Akumulator spet napolniti vsakih 6 mesecev.

##### Preobremenitvena zaščita litij-ionskih akumulatorjev

V primeru preobremenitve akumulatorja zaradi visoke porabe toka, npr. ekstremno visokih vrtilnih momentov, nenadne zaustavitve ali kratkega stika, električno orodje 5 sekund vibrira, prikazovalnik polnjenja utripa, električno orodje pa se samodejno izklopi.

Za ponoven vklop izpusite pritisno stikalo in nato znova vklopite. Pod ekstremnimi obremenitvami se akumulator premočno segreva. V tem primeru utripajo vse lučke prikazovalnika polnjenja dokler se akumulator ne ohladi. Za tem, ko prikazovalnik polnjenja ugasne lahko z delom nadaljujemo.

##### Transport litij-ionskih akumulatorjev

Litij-ionski akumulatorji so podvrženi zakonskim določbam transporta nevarnih snovi.

Transport teh akumulatorjev se mora izvajati upoštevajoč lokalne, nacionalne in mednarodne predpise in določbe.

Potrošniki lahko te akumulatorje še nadalje transportirajo po cesti.

Komercialni transport litij-ionskih akumulatorjev s strani špediterskih podjetij je podvržen določbam transporta nevarnih snovi. Priprava odpreme in transporta se lahko vrši izključno s strani ustrezno izšolanih oseb. Celoten proces je potrebno strokovno spremljati.

Pri transportu akumulatorjev je potrebno upoštevati sledeče točke:

V izogib kratkim stikom zagotovite, da bodo kontakti zaščiteni in izolirani.

Bodite pozorni na to, da paket akumulatorja v notranjosti embalaže ne bo mogel zdrsniti. Poškodovanih ali iztekajočih akumulatorjev ni dovoljeno transportirati. Za nadaljnja navodila se obrnite na vaše špeditersko podjetje.

#### PRACOVNE POKYNY

##### Zaščita pred preobremenitvijo in povratnim udarcem

Naprava je opremljena z Overload - in Anti Kickback zaščitno funkcijo in se pri ustrezni preobremenitvi ustavi. Izklopite električno orodje in ga za nadaljevanje z delom ponovno vklopite.

##### Rahli zagon

Elektronski rahli zagon za varno delovanje pri vklopu preprečuje sunkovit zagon stroja.

Pri brusilnih sredstvih, ki so opremljeni s ploščico z navojem se prepričajte, da je navoj v ploščici dovolj dolg za vreteno.

Rezalne in brusilne plošče vedno uporabljajte in shranjujte v skladu z navodbami proizvajalca.

Pri grobem struženju ali rezanju vedno delajte z zaščitnim pokrovom.

Izbočene brusne plošče je treba montirati tako, da njihova brusna površina ne bo segala izven ravnih robov ščitnika.

Matica prirobnice mora biti pred zagonom stroja zategnjena.

Vedno uporabljajte dodatni ročaj.

Kos, ki ga želite obdelovati, mora biti trdno vpet, če ne drži že zaradi lastne teže. Nikoli obdelovalnega kosa ne vodite z roko proti plošči.

Prirobnica matica mora biti pred zagonom stroja trdno privita. V kolikor uporabljeno orodje ne bi bilo s prirobnico matico trdno privito, obstaja možnost, da uporabljeno orodje med zaviranjem izgubi potrebno napetost privitja.

#### ČIŠČENJE

Pazite na to, da so prezračevalne reže stroja vedno čiste.

#### VZDRŽEVANJE

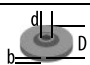
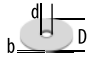

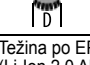
Uporabljajte samo Milwaukee pribor in Milwaukee nadomestne dele. Poskrbite, da sestavne dele, katerih zamenjava ni opisana, zamenjajo v Milwaukee servisni službi (upoštevajte brošuro Garancija aslovi servisnih služb).

Po potrebi se lahko pri vaši servisni službi ali direktno pri Techtronic Industries GmbH naroči eksplozijska risba naprave ob navedbi tipa stroja in številke s tipske ploščice Techtronic Industries GmbH, Max-Eyth-Straße 10, 71364 Winnenden, Germany.

#### SIMBOLI

	Prosimo, da pred uporabo pozorno preberete to navodilo za uporabo.
	POZOR! OPOZORILO! NEVARNO!
	Pred vsemi deli na stroji odstranite izmenljivi akumulator.
	Ne uporabljajte zaščitne naprave za odrezovanje.
	Brez uporabe sile.
	Uporabi silo.
	Pri delu s strojem vedno nosite zaščitna očala.

	Nosite zaščito za sluh.
	Nosite ustrezno masko proti prahu.
	Nositi zaščitne rokavice
	Vedno upravljajte z dvema rokama.
	Zgolj za brusilna opravila.
	Zgolj za rezalna opravila.
	Bodite pozorni na dovoljeno debelino plošče.
	Oprema – ni vsebovana v obsegu dobave, priporočeno dopolnilo iz programa opreme.
	Električnih naprav ni dovoljeno odstranjevati skupaj z gospodinjstvi odpadki. Električne in elektronske naprave je potrebno zbirati ločeno in za okolju prijazno odstranitev, oddati podjetju za reciklažo. Pri krajevem uradu ali vašem strokovnem prodajalcu se pozanimajte glede reciklažnih dvorišč in zbirnih mest.
	Nazivno število vrtljajev
	Napetost
	Enosmerni tok
	Evropska oznaka za združljivost
	Britanska oznaka za združljivost
	Ukrajinska oznaka za združljivost
	Evrazijska oznaka za združljivost

TEHNIČKI PODACI	M18 FSAG115X	M18 FSAG125X
Vrsta izvedbe	Akumulatorska kutni brusnač	Akumulatorska kutni brusnač
Broj proizvodnje	4830 49 01 XXXXX MJJJJ	4830 56 01 XXXXX MJJJJ
Napon baterije za zamjenu	18 V	18 V
Nazivni broj okretaja	8500 min <sup>-1</sup>	8500 min <sup>-1</sup>
Navoj vretena	M14	M14
D=Brusne ploče-ø max.	115 mm	125 mm
d=otvor sa ø	22,2 mm	22,2
	b=Debljina brusne ploče max.	6 mm
	b=Debljina rezne ploče max. / min.	3 mm / 1 mm
	D=Promjer brusne ploče max.	115 mm
	D=Lončaste četke-ø max.	75 mm
Težina po EPTA-proceduri 01/2014 (Li-Ion 2,0 Ah ... 12,0 Ah)	2,4 ... 3,4 kg	2,4 ... 3,5 kg
Preporučena temperatura okoline za pogon	-18 ... +50 °C	
Preporučeni akumulatorski paket	M18B...; M18HB...	
Preporučeni punjači	M12-18...; M1418C6	
<b>Informacije o buci:</b> Mjerne vrijednosti utvrđene odgovarajuće EN 60745. A-ocijenjeni nivo buke aparata iznosi tipično:		
Nivo pritiska zvuka / Nesigurnost K	82,7 dB(A) / 3 dB(A)	82,7 dB(A) / 3 dB(A)
Nivo učinka zvuka / Nesigurnost K	93,7 dB(A) / 3 dB(A)	93,7 dB(A) / 3 dB(A)
<b>Nositi zaštitu sluha!</b>		
<b>Informacije o vibracijama:</b> Ukupne vrijednosti vibracije (Vektor suma tri smjersu odmjerene odgovarajuće EN 60745.		
Vrijednost emisije vibracije a <sub>n</sub> / Nesigurnost K		
Brušenje površina	4,8 m/s <sup>2</sup> / 1,5 m/s <sup>2</sup>	5,5 m/s <sup>2</sup> / 1,5 m/s <sup>2</sup>
Brušenje brusnim listom	1,1 m/s <sup>2</sup> / 1,5 m/s <sup>2</sup>	1,9 m/s <sup>2</sup> / 1,5 m/s <sup>2</sup>
Kod drugih primjena kao npr. brušenje presjecanjem ili brušenje sa četkom od čeličnih žica mogu nastati druge vibracijske vrijednosti!		

## UPOZORENIE!

Razine emisije vibracija i buke navedena u ovom informacijskom listu izmjerene su u skladu sa standardiziranim ispitom koji propisuje EN 60745 i mogu se upotrebljavati za međusobnu usporedbu alata. Također se mogu upotrebljavati za prethodnu procjenu izloženosti.

Navedene razine emisija vibracija i buke predstavljaju glavnu svrhu primjene alata. Međutim, ako se alat upotrebljava u druge svrhe, s drugim priborom ili se ne održava dovoljno, emisije vibracija i buke mogu biti drukčije. To može značajno povećati razinu izloženosti tijekom cjelokupna razdoblja rada.

Procjena razine izloženosti vibracijama i buci također bi u obzir trebala uzeti razdoblja tijekom kojih je alat isključen ili kada je uključen, no njime se ne obavlja nikakav rad. Time se značajno može smanjiti razina izloženosti tijekom cjelokupna razdoblja rada.

Utvrđite dodatne sigurnosne mjere kako biste zaštitili rukovatelja od ovih učinaka vibracija i/ili buke, primjerice: održavanje alata i pribora, osiguravanje da ruke budu tople, organizacija obrazaca rada.

**UPOZORENIE!** Pročitajte sigurnosne upute i uputnice. Ako se ne bi poštivala napomene o sigurnosti i upute to bi moglo uzrokovati strujni udar, požar i/ili teške ozljede.

Sačuvajte sve napomene o sigurnosti i upute za buduću primjenu.

## SIGURNOSNE UPUTE ZA KUTNU BRUSILICU

**Zajedničke upute s upozorenjima za brušenje, brušenje brusnim papirom, radove s žičanim četkama, poliranje i rezanje brusjenjem:**

a) Ovaj električni alat treba čistiti kao brusilicu, brusilicu s brusnim papirom, žičanu četku i rezanje brusjenjem. Pridržavajte se svih naputaka s upozorenjem, uputa, prikaza i podataka koje ste dobili s električnim alatom. Ako se ne bi pridržavali slijedećih uputa, moglo bi doći do električnog udara, požara i/ili teških ozljeda.

b) Ovaj električni alat nije prikladan za poliranje. Primjene, za koje električni alat nije predviđen, mogu prouzročiti ugrožavanja i povrede.

c) Ne koristite pribor koji proizvođač nije posebno predvidio i preporučio za ovaj električni alat. Sama činjenica da se pribor može pričvrstiti na vaš električni alat, ne jamči sigurnu primjenu.

d) Dozvoljeni broj okretaja alatnih nastavaka mora najmanje biti toliko kao što je i najveći broj okretaja naveden na električnom alatu. Oprema koja ima veći broj okretaja od dozvoljenog može se polomiti i razletjeti.

e) Vanjski promjer i debljina radnog alata moraju odgovarati dimenzijama vašeg električnog alata. Pogrešno dimenzionirani električni alati ne mogu se dovoljno zaštititi ili kontrolirati.

f) Navoj dijelova pribora se moraju podudarati sa navojem brusnog vretena. Kod dijelova pribora koji će biti prirubljeni, mora se bušotina za stezni trn u dijelu pribora podudarati sa promjerom lokalizirajuće prirubnice. Dijelovi pribora koji ne pristaju na montažni trn aparata, rade ekscentrično, vibriraju prekomjerno jako i mogu dovesti do gubitka kontrole nad alatom.

g) Ne koristite oštećene radne alate. Prije svake primjene kontrolirajte radne alate, kao što su brusne ploče na odlamane komadića i pukotine, brusne tanjure na pukotine, trošenje ili veću istrošenost, čelične četke na oslobođene ili odlomljene žice. Ako bi električni alat ili radni alat pao, provjerite da li je oštećen ili koristite neoštećeni radni alat. Kada koristite ili kontrolirate radni alat, osobe koje se nalaze blizu držite izvan ravnine rotirajućeg radnog alata i ostavite električni alat da se jednu minutu vrti sa maksimalnim brojem okretaja. Oštećeni radni alati najčešće se lome u vrijeme ovakvih ispitivanja.

h) Nosite osobnu zaštitnu opremu. Ovisno od primjene koristite masku za zaštitu lica i zaštitne naočale. Ukoliko je to potrebno, nosite masku za zaštitu od prašine, štitičke za sluh, zaštitne rukavice ili specijalne pregače, koje će vas zaštititi od sitnih čestica od brušenja i materijala. Oči treba zaštititi od letućih stranih tijela koja nastaju kod različitih primjena. Zaštitne maske protiv prašine ili za disanje moraju profiltrirati prašinu nastalu kod primjene. Ako ste dulje vrijeme izloženi buci, mogao bi vam se pogoršati sluh.

i) Ako radite sa drugim osobama, pazite na siguran razmak do njihovog radnog područja. Svatko tko stupi u radno područje mora nositi osobnu zaštitnu opremu. Odlomljeni komadići izratka ili odlomljeni radni alati mogu odletjeti i uzrokovati ozljede i izvan neposrednog radnog područja.

j) Držite mjeru na izoliranim držačkim površinama kada izvodite radove kod kojih rezački alat može pogoditi skrivene vodove struje. Kontakt rezačkog alata sa vodovima koji sprovode naponom može metalne dijelove sprave dovesti pod napon i tako dovesti do električnog udara.

k) Nikad ne ostavljajte električni stroj bez nadzora, dok se alat ne zaustavi potpuno. Rotirajući radni alat mogao bi dodirnuti površinu odlaganja, zbog čega bi mogli izgubiti kontrolu nad električnim alatom.

l) Ne dopustite da električni alat radi dok ga nosite. Rotirajući radni alat bi slučajnim kontaktom mogao zahvatiti vašu odjeću, a radni alat bi vas mogao ozlijediti.

m) Redovito čistite otvore za hlađenje vašeg električnog alata. Ventilator motora uvlači prašinu u kućište električnog alata, a veliko nakupljanje metalne prašine može uzrokovati električne opasnosti.

n) Električni alat ne koristite blizu zapaljivih materijala. Iskre bi mogle zapaliti ove materijale.

o) Ne koristite radne alate koji zahtijevaju tekuća rashladna sredstva. Primjena vode ili ostalih tekućih rashladnih sredstava može dovesti do električnog udara.

## Povratni udar i odgovarajuće upute upozorenja

Povratni udar je iznenadna reakcija zbog radnog alata koji se je zaglavio ili blokirao, kao što su brusilice, brusni tanjuri, čelične četke itd. Zaglavljivanje ili blokiranje dovodi do naglog zaustavljanja rotirajućeg radnog alata. Zbog toga će se nekontrolirani električni alat ubrzati u smjeru suprotnom od smjera rotacije radnog alata na mjestu blokiranja.

Ako bi se npr. brusna ploča zaglavila ili blokirala u izratku, tada rub brusne ploče koja je zarezala u izradak može odlomiti brusnu ploču ili uzrokovati povratni udar. Brusna ploča se kod toga pomiče prema osobi koja rukuje električnim alatom ili od nje, ovisno od smjera rotacije brusne ploče na mjestu blokiranja. Kod toga se brusne ploče mogu i odlomiti.

Povratni udar je posljedica pogrešne ili neispravne uporabe električnog alata. On se može spriječiti prikladnim mjerama opreza, kao što su dolje opisane.

a) Električni alat držite čvrsto i vaše tijelo i ruke dovedite u položaj u kojem možete preuzeti sile povratnog udara. Ukoliko postoji koristite uvijek dodatnu ručku, kako bi imali najveću moguću kontrolu nad silama povratnog udara ili momentima reakcije kod rada električnog alata. Osoba koja rukuje električnim alatom može prikladnim mjerama opreza ovladati povratnim udarom ili silama reakcije.

b) Vaše ruke nikada ne stavljajte blizu rotirajućeg radnog alata. Nastavak može izvršiti povratni udar iznad vaše ruke.

c) Vašim tijelom izbjegavajte područja u kojim se električni alat pomiče kod povratnog udara. Povratni udar potiskuje električni alat u smjeru suprotnom od pomicanja brusne ploče na mjestu blokiranja.

d) Posebno opreznim radom u području uglova, oštirih rubova, itd. spriječit ćete da se radni alat odbaci od izratka i da se u njemu uključi. Rotirajući radni alat kada se odbije na uglovima ili oštirih rubovima, sklon je uklještenju. To uzrokuje gubitak kontrole nad radnim alatom ili povratni udar.

e) Ne upotrebljavajte lančani ili zupčasti rezni disk. Ovakvi alat često prouzročava „irzanje“ ili gubitak kontrole nad električnom stroju.

## Posebne upute upozorenja za brušenje i rezanje brusnom pločom

a) Koristite isključivo brusna tijela odobrena za električni alat i štitički predviđen za ova brusna tijela. Brusna tijela koja nisu predviđena za ovaj električni alat ne mogu se dovoljno zaštititi i nesigurna su.

b) Koljenčaste brusne ploče moraju biti montirane tako, da njihova brusna površina ne strši preko ravnine ruba zaštitne kape. Nestručno montirana brusna ploča, koja strši preko ruba zaštitne kape, ne može biti dovoljno zakrivena.

c) Koristite uvijek štitički predviđen za korištenu vrstu brusnih tijela. Štitički mora biti sigurno pričvršćen na električnom alatu i tako podešen da se postigne maksimalna mjera sigurnosti, tj. da je najmanji mogući dio brusnog tijela otvoren prema osobi koja radi sa električnim alatom. Štitički pomaže zaštititi rukovatelja od slomljenih komadića diska, slučajna kontakta s diskom i iskri koje mogu zapaliti odjeću.

d) Brusna tijela se smiju koristiti samo za preporučene mogućnosti primjene. Npr.: ne brusite nikada sa bočnom površinom brusne ploče za rezanje. Brusne ploče za rezanje predviđene su za rezanje materijala sa rubom ploče. Bočnim djelovanjem na ova brusna tijela one se mogu polomiti.

e) Za brusne ploče koje ste odabrali koristite uvijek neoštećene stezne prirubnice odgovarajuće veličine i oblika. Prikladne prirubnice služe za stezanje brusnih ploča i tako smanjuju opasnost od loma brusnih ploča. Prirubnice za brusne ploče za rezanje mogu se razlikovati od prirubnica za ostale brusne ploče.

f) Ne koristite istrošene brusne ploče velikih električnih alata. Brusne ploče za velike električne alate nisu predviđene za veće brojeve okretaja manjih električnih alata i mogu puknuti.

## Ostale upute upozorenja za brusne ploče za rezanje

a) Izbjegavajte blokiranje brusnih ploča za rezanje ili preveliki pritisak. Ne izvodite prekomjerno duboke rezove. Preopterećenje brusnih ploča za rezanje povećava njihovo naprezanje i sklonost skošenja iz vertikalnog položaja ili blokiranja i time moguće povratnog udara ili loma brusne ploče.

b) Izbjegavajte područja ispred i iza rotirajuće brusne ploče. Ako brusnu ploču za rezanje u izratku pomičete dalje od sebe, u slučaju povratnog udara električni alat sa rotirajućom pločom bi se mogao izravno odbaciti na vas.

c) Ukoliko bi se brusna ploča za rezanje uklještila ili vi prekidate rad, isključite električni alat i držite ga mirno, sve dok se brusna ploča ne zaustavi. Ne pokušavajte nikada brusnu ploču koja se još vrti vaditi iz reza, jer bi inače moglo doći do povratnog udara. Ustanovite i otklonite uzrok uklještenja.

d) Ne uključujte ponovno električni alat sve dok se brusna ploča za rezanje nalazi zarezana u izratku. Prije nego što oprezno nastavite sa rezanjem, ostavite da brusna ploča za rezanje prvo postigne svoj puni broj okretaja. Inače bi se brusna ploča mogla zaglaviti, odskočiti iz izratka ili uzrokovati povratni udar.

e) Podložite ploče ili velike izratke, kako bi se izbjegla opasnost povratnog udara od uklještenih brusne ploče za rezanje. Veliki izraci se mogu progutati pod djelovanjem svoje vlastite težine. Izradak se mora osloniti na obje strane, i to kako u blizini brusne ploče za rezanje, tako i na rubu.

f) Posebno oprezni budite kod „rezanja džepova“ u postojećim zidovima ili drugim područjima. Brusna ploča za rezanje koja je zarezala plinske ili vodovodne cijevi, električne vodove ili ostale objekte, može uzrokovati povratni udar.

**Posebne upute upozorenja za brušenje brusnim papirom:**

a) Ne koristite predimenzioniranu brusnu listovu, nego se pridržavajte podataka proizvođača za veličine brusnih listova. Brusni listovi koji su šire izvan brusnih tanjura mogu uzrokovati ozljede i dovesti do blokiranja, trganja brusnih listova ili do povratnog udara.

**Posebne upute upozorenja za radove sa čeličnim četkama:**

a) Obratite pažnju na to, da žičana četka i za vrijeme normalne upotrebe gubi komade žice. Žice nemojte opterećivati previsokom tlačnom silom. Unako loleteći komadi žice mogu prodrijeti kroz laku odjeću i/ili kroz kožu.

b) Kada se preporučuje korištenje štitnika, treba spriječiti dodirivanje štitnika i čelične četke. Tanjuraste i lončaste četke mogu zbog pritiska i centrifugalne sile povećati svoj promjer.

#### OSTALE SIGURNOSNE I RADNE UPUTE

Uvijek provjerite je li dugme za blokiranje vretena potpuno otpušteno prije uključivanja alata! Nakon blokiranja vretena u svrhu pričvršćivanja / otpuštanja abrazivnog diska, moguće je da se dugme zaglavi u položaju za blokiranje.

Kod brušenja metala dolazi od isparenja. Obratite pažnju, da se ne ugrožavaju osobe. Zbog opasnosti od požara u blizini se ne smiju nalaziti gorivi materijali (područje leta iskri). Ne primijeniti usisavanje prašine.

Izbjegavajte da iskre i prašina brušenja ne pogode tijelo.

Ne sezati u područje opasnosti radećeg stroja.

Piljevina ili iverje se za vrijeme rada stroja ne smiju odstranivati.

Aparat odmah isključiti, ako dođe do bitnih titiranja, ili ako se utvrde drugi nedostaci. Provjerite stroj, kako bi utvrdili uzrok.

U ekstremnim uvjetima (npr. glatko brušenje metala s držačem i diskom za brušenje ojačanim vulkanskim vlaknima), s unutrašnje strane brusilice može se skupiti veća količina otpadnih tvari.

Zbog opasnosti od kratkog spoja metalni dijelovi ne smiju dospjeti u otvore za prozračivanje.

**UPOZORENIE!** Opasnost od opekotina! Disk i obradak se za vrijeme rada zagrijavaju. Dok mijenjate disk ili dodirujete obradak, nosite rukavice. Ruke uvijek držite podalje od područja brušenja.

**UPOZORENIE!** Zbog izbjegavanja opasnosti od požara jednim kratkim spojem, opasnosti od ozljeda ili oštećenja proizvoda, alat, izmjenjivi akumulator ili napravu za punjenje ne uronjavati u tekućine i pobrinite se za to, da u uređaje ili akumulator ne prodiru nikakve tekućine. Korozirajuće ili vodljive tekućine kao slana voda, određene kemikalije i sredstva za bijeljenje ili proozvodni koji sadrže sredstva bijeljenja, mogu prouzročiti kratak spoj.

Baterije za zamjenu u uređaje za punjenje ne otvarati i čuvati ih samo u suhim prostorijama. Čuvati protiv vlage.

Baterije sistema M18 puniti samo sa uređajem za punjenje sistema M18. Ne puniti baterije iz drugih sistema.

#### PROPISNIA UPOTREBA

Kutna brusilica namijenjena je za brušenje i rezanje metala, kamena, žbuke i keramičkih materijala te pjeskarenje i poliranje žičanom četkom.

Za radove rezanja koristite kapice za rezanje iz programa dodatne opreme.

U nedoumici poštivati upute proizvođačapribora.

Električni alat je prikladan samo za suhu obradu.

Na kutnu brusilicu smiju se postavljati samo prikladni diskovi za brušenje ili rezanje te pripadajući štittnik (štittnik za brušenje i štittnik

za rezanje) kako je opisano u odjeljku sa specifikacijama proizvoda ovog priručnika. Kutna brusilica namijenjena je za ručno korištenje, ne smije se montirati na naprave za držanje ili radne klupe.

Proizvod nemojte koristiti u svrhe za koje nisu namijenjeni.

#### PREOSTALE OPASNOSTI

I kod pravilne uprabe se ne mogu isključiti svi ostaci rizika. Kod uporabe mogu nastati sljedeće opasnosti, na koje poslušiti mora obratiti posebnu pažnju:

- Vibracijama prouzročene ozljede. Uređaj držite na za to predviđenim drškama i ograničite radno vrijeme i vrijeme ekspozicije.
- Opterećenje bukom može dovesti do oštećenja sluha. Nosite zaštitu sluha i ograničite trajanje ekspozicije.
- Česticama prljavštine prouzročene ozljede očiju. Nosite uvijek zaštitne naočale, zatvorene duge hlače, rukavice i zatvorene cipele.
- Udisanje otrovnih prašina.

#### UPUTE ZA LI-ION-AKUMULATORE

##### Korištenje Li-Ion-akumulatora

Baterije koje duže vremena nisu korištene, prije upotrebe napuniti.

Temperatura od preko 50°C smanjuje učinak baterija. Duže zagrijavanje od strane sunca ili grijanja izbjeci.

Priključne kontakte na uređaju za punjenje i baterijama držati čistima.

Za optimalni vijek trajanja se akumulatori poslije upotrebe moraju sasvim napuniti.

Za što moguće duži vijek trajanja, akumulatori se nakon punjenja moraju odstraniti iz punjača.

Kod skladištenja akumulatora duže od 30 dana:

Akumulator skladištiti na suhom kod ca. 27°C.

Akumulator skladištiti kod ca. 30%-50% stanja punjenja.

Akumulator ponovno napuniti svakih 6 mjeseci.

##### Zaštita od preopterećenja akumulatora kod Li-Ion-akumulatora

Kod preopterećenja akumulatora kroz vrlo visoku potrošnju struje, npr. ekstremno visoki zakretni momenti, električni alat vibrira za vrijeme od 5 sekundi, pokazivač punjenja treperi i električni alat se samostalno isključuje.

Za ponovno uključivanje ispuštiti okidač sklopke i zatim ponovno uključiti. Pod ekstremnim opterećenjima se akumulator prejak zagrije. U tome slučaju trepere sve lampice pokazivača punjenja, sve dok se akumulator ne ohladi. Poslije gašenja pokazivača punjenja se može nastaviti sa radom.

##### Transport litijskih ionskih baterija

Litijske-ionske baterije spadaju pod zakonske odredbe u svezi transporta opasne robe.

Prijevoz ovih baterija mora uslijediti uz poštivanje lokalnih, nacionalnih i internacionalnih propisa i odredaba.

Korisnici mogu bez ustručavanja ove baterije transportirati po cestama.

Komercijalni transport litijsko-ionskih baterija od strane transportnih poduzeća spada pod odredbe o transportu opasne robe. Otpremničke pripreme i transport smiju izvoditi isključivo odgovarajuće školovane osobe. Kompletni proces se mora pratiti na stručan način.

Kod transporta baterija se moraju poštivati sljedeće točke:

Uvjerite se da su kontakti zaštićeni i izolirani kako bi se izbjegli kratki spojevi.

Pazite na to, da blok baterija unutar pakiranja ne može proklizavati. Oštećene ili iscrjele baterije se ne smiju transportirati. U svezi ostalih uputa obratite se vašem prijevoznom poduzeću.

#### RADNE UPUTE

##### Zaštita od preopterećenja i povratnog udara

Ovaj aparat raspolaze sa Overload i anti Kickback zaštitnom funkcijom i zaustavlja se odgovarajuće preopterećenosti. Isključite električni alat i ponovno uključite električni alat kako biste nastavili s radom.

##### Njezan start

Elektronički njezan start za sigurno rukovanje sprječava kod uključivanja grubi start stroja.

Kod brusnih sredstava, koja bi trebala biti opremljeni pločom sa navojem, utvrditi, da li je navoj u ploči dovoljno dug za vreteno. Rezne i brusne ploče upotrijebiti i čuvati uvijek po podacima proizvođača.

Prilikom grube obrade i prosjecanja uvijek raditi sa zaštitnom kapom. Koljenčaste brusne ploče moraju biti montirane tako, da njihova brusna površina ne strši preko ravnine ruba zaštitne kape.

Matica prirubnice mora prije puštanja stroja u rad biti zategnuta.

Uvijek primijeniti dodatnu ručicu.

Radni predmet koji se obrađuje mora biti čvrsto stegnut, ako se ne drži svojom osobnom težinom. Radni predmet ne nikada voditi rukom prema ploči.

Matica prirubnice mora prije puštanja u rad stroja biti čvrsto stegnuta. Ukoliko upotrijebljeni alat sa maticom prirubnice ne bude čvrsto stegnut, postoji mogućnost da alat kod zaustavljanja izgubi potrebnu zateznu silu.

#### ČIŠĆENJE

Proreze za prozračivanje stroja uvijek držati čistima.

#### ODRŽAVANJE

Primijeniti samo Milwaukee opremu i Milwaukee rezervne dijelove. Sastavne dijelove, čija zamjena nije opisana, dati zamijeniti kod jedne od Milwaukee servisnih službi (poštivati brošuru Garancija/ Adrese servisa).

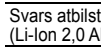
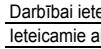
Po potrebi se može zatražiti crtež eksplozije aparata uz davanje podataka o tipu stroja i desetoznamenastog broja na pločici snage kod Vaše servisne službe ili direktno kod Techtronic Industries GmbH, Max-Eyth-Straße 10, 71364 Winnenden, Germany.

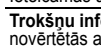
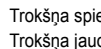
#### SIMBOLI

	Molimo da pažljivo pročitate uputu u upotrebi prije puštanja u rad.
	PAŽNJA! UPOZORENIE! OPASNOST!
	Prije svih radova na stroju izvoditi bateriju za zamjenu.
	Nemojte upotrebljavati zaštitnu opremu za postupke odrezivanja.
	Ne upotrebljavati silu.
	Primijeniti silu.

	Kod radova na stroju uvijek nositi zaštitne naočale.
	Nosite zaštitu za sluh.
	Nositi prikladnu zaštitnu masku protiv prašine.
	Nositi zaštitne rukavice!
	Uvijek rukujte objema rukama.
	Samo za brusne radove.
	Samo za rezačke radove.
	Obratite pozornost na dopuštenu debljinu ploče.
	Oprema - u opsegu isporuke nije sadržana, preporučena dopuna iz promograma opreme.
	Električni uređaji se ne smiju zbrinjavati skupa sa kućnim smećem. Električni uređaji se moraju skupljati odvojeno i predati na zbrinjavanje primjereno okolišu jednom od pogona za iskorišćavanje. Raspitajte se kod mjesnih vlasti ili kod stručnog trgovca u svezi gospodarstva za recikliranje i mjesta skupljanja.
	Nazivni broj okretaja
	Napon
	Istosmjerna struja
	Europski znak suglasnosti
	Britanski znak suglasnosti
	Ukrajinski znak suglasnosti
	Euroazijski znak suglasnosti

TEHNISKIE DATI	M18 FSAG115X	M18 FSAG125X
Konstrukcija	Akumulatora leņķa slīpmašīna	Akumulatora leņķa slīpmašīna
Izlaides numurs	4830 49 01 XXXXXX MJJJJ	4830 56 01 XXXXXX MJJJJ
Akumulatora spriegums	18 V	18 V
Nominālais griešanās ātrums	8500 min <sup>-1</sup>	8500 min <sup>-1</sup>
Vārpstas vijums	M14	M14
D=Slīpdisks ar diametru maksimālais	115 mm	125 mm
d=urbuma ø	22,2 mm	22,2

	b=Slīpripas biezums maksimālais	6 mm	6 mm
	b=Griešanas diska biezums maksimālais / minimālais	3 mm / 1 mm	3 mm / 1 mm

	D=Slīpēšanas diska diametrs maksimālais	115 mm	125 mm
	D=Koniskās birstes diametrs ø maksimālais	75 mm	75 mm

Svars atbilstoši EPTA -Procedure 01/2014 (Li-Ion 2,0 Ah ... 12,0 Ah)	2,4 ... 3,4 kg	2,4 ... 3,5 kg
Darbībai ieteicamā apkārtnes temperatūra	-18 ... +50 °C	
Ieteicamie akumulatoru komplekti	M18B...; M18HB...	
Ieteicamās uzlādes ierīces	M12-18...; M1418C6	

**Trokšņu informācija:** Vērtības, kas noteiktas saskaņā ar EN 60745. A novērtētās aparātūras skaņas līmenis ir:

Trokšņa spiediena līmenis / Nedrošība K	82,7 dB(A) / 3 dB(A)	82,7 dB(A) / 3 dB(A)
Trokšņa jaudas līmenis / Nedrošība K	93,7 dB(A) / 3 dB(A)	93,7 dB(A) / 3 dB(A)

**Nēsāt trokšņa slāpētāju!**

**Vibrāciju informācija:** Svārstību kopējā vērtība (Trīs virzienu vektoru summtiek noteikta atbilstoši EN 60745.

svārstību emisijas vērtība a <sub>n</sub> / Nedrošība K	4,8 m/s <sup>2</sup> / 1,5 m/s <sup>2</sup>	5,5 m/s <sup>2</sup> / 1,5 m/s <sup>2</sup>
Virsmas slīpēšana Slīpēšana ar slīppapīru	1,1 m/s <sup>2</sup> / 1,5 m/s <sup>2</sup>	1,9 m/s <sup>2</sup> / 1,5 m/s <sup>2</sup>

Izmantojot citur, piem., veicot abrazīvo griešanu vai slīpējot ar tērauda birsti, vibrācijas līmeņi var būt citādi!

**UZMANĪBU!** Vibrācijas un trokšņa emisijas līmenis šajā informācijas lapā ir izmērīts saskaņā ar EN 60745 standarta testa metodi un var tikt izmantots, lai salīdzinātu vienu ierīci ar otru. Tās var tikt izmantotas ietekmes sākotnējai izvērtēšanai.

Norādītais vibrācijas un trokšņa emisijas līmenis attēlo ierīces galvenos izmantošanas veidus. Tomēr, ja ierīce tiek izmantota citiem mērķiem, ar citu papildaprīkojumu vai nepareizi apkalpota, vibrācijas un trokšņa emisija var atšķirties. Tas var ievērojami paaugstināt ietekmes līmeni visā darba laikā.

Novērtējot vibrācijas un trokšņa ietekmes līmeni, vajadzētu ņemt vērā arī laiku, kad ierīce ir izslēgta vai ieslēgta, taču netiek lietota. Tas var ievērojami samazināt ietekmes līmeni visā darba laikā.

Lai aizsargātu operatoru no vibrācijas un/vai trokšņa, veiciet papildu drošības pasākumus, piemēram, veiciet apkopi ierīcei un papildaprīkojumam, uzturiet rokas siltas, organizējiet darba grafiku.

**UZMANĪBU!** Izlasiet visu drošības instrukciju un lietošanas pamācību klāt. Šeit sniegto drošības noteikumu un norādījumu neievērošana var izraisīt aizdegšanos un būt par cēloni elektriskajam triecienam vai nopietnam savainojumam.

**Pēc izlasīšanas uzglabājiet šos noteikumus turpmākai izmantošanai.**

**DROŠĪBAS TEHNIKAS NOTEIKUMI LENĶA SLĪPMAŠĪNĀI**

**Kopējie drošības noteikumi slīpēšanai, slīpēšanai ar smilšpapīra loksni, darbam ar stieplu suku, pulēšanai un griešanai:**

a) Šis elektroinstruments ir lietojams kā slīpmašīna, kas piemērota arī slīpēšanai ar smilšpapīra loksni, darbam ar stieplu suku, pulēšanai un griešanai. Nemiet vērā visas elektroinstrumentsat pievienotās instrukcijas, norādījumus, attēlus un citu informāciju. Turpmāk sniegto norādījumu neievērošana var kļūt par cēloni elektriskajam triecienam, ugunsgrēkam un/vai smagam savainojumam.

b) Šis elektroinstruments nav piemērots pulēšanai. Šis ierīces izmantošana mērķiem, kuriem tā nav paredzēta, var to sabojāt.

c) Neizmantojiet piederumus, kuru ražotājs nav paredzējis šim elektroinstrumentsam un ieteikusi lietošanai kopā ar to. Iespēja nostiprināt piederumu uz elektroinstrumentsa vēl negarantē tā drošu lietošanu.

d) Iesaistāmā instrumenta pieļaujamajam apgrīezienu skaitam jābūt vismaz tik augstam kā uz elektroinstrumentsa norādītajam maksimālajam apgrīezienu skaitam. Aprīkojums, kurš rotē ātrāk par pieļaujamu ātrumu, var salūzt un tikt atmests atpakaļ.

e) Darbinstrumentu ārējām diametram un biežumam jāatbilst elektroinstrumentsa konstrukcijai un izmēriem. Ja darbinstrumenta izmēri ir izvēlēti nepareizi, tas pilnībā nenovietojas zem aizsarga un darba laikā apgrūtina instrumenta vadību.

f) Papildpiederumu vītnei ir jāsakrīt ar slīpēšanas vārpstas vītnei. Piederumiem, kas tiek piestiprināti ar atloku, fiksācijas serdenja urbumbam papildpiederumā ir jāsakrīt ar lokalizācijas atloka diametru. Papildpiederumi, kas neder uz montāžas serdenja, griežas ekscentriski, pārmērīgi spēcīgi vibrē un var izraisīt kontroles zudumu pār darba rīku.

g) Neizmantojiet bojātus darbinstrumentus. Ik reizi pirms darbinstrumentu lietošanas pārbaudiet, vai tie nav bojāti, piemēram, vai slīpēšanas diski nav atslāņojušies vai ieplaisājuši, vai slīpēšanas pamatnē nav vērojamas plaisas un vai stieplu suku veidojošās stieples nav vaļīgas vai atlūzušas. Ja elektroinstruments vai darbinstruments ir kritis no zināma augstuma, pārbaudiet, vai tas nav bojāts, vai arī izmantojiet darbam nebojātu darbinstrumentu. Pēc darbinstrumentsa apskates un iestiprināšanas ļaujiet elektroinstrumentsam darboties ar maksimālo griešanās ātrumu vienu minūti ilgi, turot rotējošo darbinstrumentu drošā attālumā no sevis un citām tuvumā esošajām personām. Bojātie darbinstrumenti šādas pārbaudes laikā parasti salūst.

h) Lietojiet individuālos darba aizsardzības līdzekļus. Atkarībā no veicamā darba rakstura izvēlieties pilnu sejas aizsargu, noslēdzošās aizsargbrilles vai parastās aizsargbrilles. Lai aizsargātos no lidojošajām slīpēšanas darbinstrumentsa un apstrādājamā materiāla daļiņām, pēc vajadzības lietojiet putekļu aizsargmasku, ausu aizsargus un aizsargcimdus vai arī īpašu priekšautu. Lietotāja acis jāpasargā no lidojošajiem svešķermeņiem, kas dažkārt rodas darba gaitā. Putekļu aizsargmaskai vai respiratoram jāpasargā lietotāja elpošanas ceļi no putekļiem, kas veidojas darba laikā. Ilgstoši atrodoties stipra trokšņa iespaidā, var rasties paliekoši dzirdes traucējumi.

i) Sekojiet, lai citas personas atrastos drošā attālumā no darba vietas. Ikvienam, kas atrodas darba vietas tuvumā, jālieto individuālie darba aizsardzības līdzekļi. Apstrādājamā priekšmeta atlūzas vai salūzušā darbinstrumentsa daļas var lidot ar ievērojamu ātrumu un nodarīt kaitējumu cilvēku veselībai arī ievērojamā attālumā no darba vietas.

j) Lerīci turiet aiz izolētiem rokturiem, ja veicat darbus, kuros griešanas darbiem izmantojamais instruments var skart paslēptus elektrovadus. Šī instrumenta saskare ar strāvu vadošiem kabeļiem var radīt spriegumu arī ierīces metāliskajās daļās un var izraisīt elektrisko triecienu.

k) Nekad nenolieciet elektroinstrumentsa malā, pirms nav pilnībā apstājies darba instruments. Rotējošais darbinstruments var skart atbalsta virsmu, kā rezultātā elektroinstrumentsam var kļūt nevadāms.

l) Nedarbiniet elektroinstrumentsa laikā, kad tas tiek pārvietots. Lietotāja apģērbs vai mati var nejauši nonākt saskarē ar rotējošo darbinstrumentsa un iekertes tajā, izraisot darbinstrumentsa saskaršanos ar lietotāja ķermeni.

m) Regulāri tīriet elektroinstrumentsa ventilācijas atveres. Dzīnēju ventilējošā gaisa plūsma ievēl putekļus instrumenta korpusā, bet liela metāla putekļu daudzuma uzkrāšanās var būt par cēloni elektrotraumai.

n) Nelietojiet elektroinstrumentsu ugunsne drošu materiālu tuvumā. Lidojošās dzirksteles var izraisīt šādu materiālu aizdegšanos.

o) Nelietojiet nomaināmos darbinstrumentus, kuriem jāpievada dzesējošais šķidrums. Ūdens vai citu šķidro dzesēšanas līdzekļu izmantošana var būt par cēloni elektriskajam triecienam.

**Atsitiens un ar to saistītie norādījumi**

Atsitiens ir specifiska instrumenta reakcija, pēkšņi iekeroties vai iestrēgstot rotējošam darbinstrumentsam, piemēram, slīpēšanas diskam, slīpēšanas pamatnei, stieplu sukai u. t. t. Rotējoša darbinstrumentsa iekēršanās vai iestrēgšana izraisa tā pēkšņu apstāšanos. Tā rezultātā elektroinstruments pārvietojas virzienā, kas pretējs darbinstrumentsa kustības virzienam iestrēguma vietā, un nereti kļūst nevadāms.

Ja, piemēram, slīpēšanas disks iekēras vai iestrēgst apstrādājamajā priekšmetā, tajā iegremdētā diska mala var izrūties no apstrādājamā materiāla vai izraisīt atsitienu. Šādā gadījumā slīpēšanas disks pārvietojas lietotāja virzienā vai arī prom no viņa, atkarībā no diska rotācijas virziena attiecībā pret apstrādājamo priekšmetu, Turklāt slīpēšanas disks var salūzt.

Atsitiens ir sekas elektroinstrumentsa nepareizai vai neprasmiņai lietošanai. No tā var izvairīties, ievērojot zināmus piesardzības pasākumus, kas aprakstīti turpmākajā izklāstā.

a) Stingri turiet elektroinstrumentsu un iņemiet tādu ķermeņa un roku stāvokli, kas vislabāk ļautu pretoties atsitienu spēkam. Vienmēr izmantojiet papildrokturi, kas ļauj optimāli kompensēt atsitienu vai reaktīvo griezes momentu un saglabāt kontroli pār instrumentu. Veicot zināmus piesardzības pasākumus, lietotājs jebkurā situācijā spēj efektīvi pretoties atsitienu un reaktīvajam griezes momentam.

b) Netuviniet rokas rotējošam darbinstrumentsam. Piederumam var būt atsitiens pāri jūsu plaukstai.

c) Izvairieties atrasties vietā, kurp varētu pārvietoties elektroinstruments atsitienu brīdī. Atsitienu brīdī elektroinstruments pārvietojas virzienā, kas pretējs darbinstrumentsa kustības virzienam iestrēguma vietā.

d) Ievērojiet īpašu piesardzību, strādājot stūru un asu malu tuvumā. Nepieļaujiet, lai darbinstruments atlektu no apstrādājamā priekšmeta vai iestrēgtu tajā. Saskaroties ar stūriem vai asām malām rotējošais darbinstruments izliecas un atlec no apstrādājamā priekšmeta vai iestrēgt tajā. Tas var būt par cēloni kontroles zaudēšanai pār instrumentu vai atsitienu.

e) Neizmantojiet ķēdes vai zobu ripzāģi. Šādi darba instrumenti bieži izraisa atsitienu vai kontroles zaudēšanu pār elektroinstrumentsu.

**Īpašie drošības noteikumi, veicot slīpēšanu un griešanu**

a) Lietojiet vienīgi jūsu rīcībā esošajam elektroinstrumentsam piemērotus slīpēšanas darbinstrumentus un šādiem darbinstrumentsiem paredzētu aizsargu. Aizsargs nav nepietiekami nosegt nepiemērotus slīpēšanas darbinstrumentus, līdz ar to neļaujot panākt vēlamo darba drošību.

b) Slīpdiski, kas parasti ir augstāki par slīpripām, ir jāuzstāda tā, lai to slīpējamā virsma neatrošos ārpus diska aizsarga. Neatbilstoši noteikumiem uzstādītu slīpdisku, kas sniedzas pāri aizsarga malai, nav iespējams pilnībā nosegt.

c) Vienmēr izmantojiet aizsargu, kas paredzēts lietošanai kopā ar attiecīgā tipa slīpēšanas darbinstrumentsiem. Aizsargam jābūt uzstādāmam un nostiprinātam uz elektroinstrumentsa tā, lai tas ļautu panākt iespējami lielāku darba drošību, t. i., lai lietotāja virzienā būtu vērsta iespējami mazāka slīpēšanas darbinstrumentsa nenosegtā daļa. Aizsargs palīdz aizsargāt operatoru no salūzušā diska fragmentiem, nejaušas saskares ar disku un dzirkstelēm, kas var aizdedzināt apģērbu.

d) Slīpēšanas darbinstruments drīkst izmantot vienīgi tādā veidā, kādam tas ir paredzēts. Piemēram, nekad neizmantojiet slīpēšanas griešanas diska sānu virsmu. Griešanas disks ir paredzēts materiālu apstrādei ar malas griezējšķautni. Stiprs spiediens sānu virzienā var salauzt šo darbinstrumentsu.

e) Kopā ar izvēlēto slīpēšanas disku izmantojiet vienīgi nebojātu piespiedējgriezni ar piemērotu formu un izmēriem. Piemērota tipa piespiedējgrieznis darba laikā droši balsta slīpēšanas disku un samazina tā salūšanas iespēju. Kopā ar griešanas diskiem izmantojamie piespiedējgriezņi var atšķirties no piespiedējgriezņiem, kas lietojami kopā ar citu veidu slīpēšanas diskiem.





f) Neizmantojiet nolietotus slīpēšanas diskus, kas paredzēti lielākas jaudas elektroinstrumentsiem. Lielākiem elektroinstrumentsiem paredzētie slīpēšanas diski nav piemēroti darbam mazākos elektroinstrumentsos, kuru griešanās ātrums parasti ir lielāks, un tāpēc tie darba laikā var salūzt.

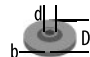
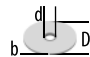

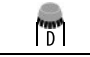
**Citi īpašie drošības noteikumi, veicot griešanu**

a) Neizdariet pārlieku lielu spiedienu uz griešanas disku un nepieļaujiet tā iestrēgšanu. Neveidojiet pārāk dziļus griezumus. Pārslēgto griešanas disku, tas biežāk iekēras vai iestrēgst griezumā, un līdz ar to pieaug arī atsitienu vai darbinstrumentsa salūšanas iespēja.

b) Izvairieties atrasties rotējošā griešanas diska priekšā vai aiz tā. Ja darba laikā lietotājs pārvietojas griešanas disku prom no sevis apstrādājamā priekšmeta virzienā, tad atsitienu gadījumā elektroinstruments ar rotējošu griešanas disku tiks sviests tieši lietotāja virzienā.



	Eiropas atbilstības zīme
	Lielbritānijas atbilstības zīme
	Ukrainas atbilstības zīme
	Eirāzijas atbilstības zīme

TECHNINIAI DUOMENYS	M18 FSAG115X	M18 FSAG125X
Konstrukcija	Kampinis šlifoklis su akumulatoriumi	Kampinis šlifoklis su akumulatoriumi
Produkto numeris	4830 49 01 XXXXXX MJJJJ	4830 56 01 XXXXXX MJJJJ
Keičiamo akumulatoriaus įtampa	18 V	18 V
Nominalus sukčių skaičius	8500 min <sup>-1</sup>	8500 min <sup>-1</sup>
Suklio sriegis	M14	M14
D=Šlifavimo diskų ø maks.	115 mm	125 mm
d=Gręžimo-ø	22,2 mm	22,2
 b=Šlifavimo disko storis maks.	6 mm	6 mm
 b=Pjovimo disko storis maks. / min.	3 mm / 1 mm	3 mm / 1 mm
 D=Šlifavimo disko diametras maks.	115 mm	125 mm
 D=Šveitimo šepetčio ø maks.	75 mm	75 mm
Prietaiso svoris įvertintas pagal EPTA 01/2014 tyrimų metodiką (Li-Ion 2,0 Ah ... 12,0 Ah)	2,4 ... 3,4 kg	2,4 ... 3,5 kg
Rekomenduojama aplinkos temperatūra eksploatuojant	-18 ... +50 °C	
Rekomenduojami akumulatoriai	M18B...; M18HB...	
Rekomenduojami įkrovikliai	M12-18...; M1418C6	
<b>Informacija apie keliamą triukšmą:</b> Vertės matuotos pagal EN 60745. Įvertintas A įrenginio keliamo triukšmo lygis dažniausiai sudaro:		
Garso slėgio lygis / Paklaida K	82,7 dB(A) / 3 dB(A)	82,7 dB(A) / 3 dB(A)
Garso galios lygis / Paklaida K	93,7 dB(A) / 3 dB(A)	93,7 dB(A) / 3 dB(A)
<b>Nešioti klausos apsaugines priemones!</b>		
<b>Informacija apie vibraciją:</b> Bendroji svyravimų reikšmė (trijų krypčių vektorių suma), nustatyta remiantis EN 60745.		
Vibravimų emisijos reikšmė a <sub>v</sub> / Paklaida K		
Paviršių šlifavimas	4,8 m/s <sup>2</sup> / 1,5 m/s <sup>2</sup>	5,5 m/s <sup>2</sup> / 1,5 m/s <sup>2</sup>
Šlifavimas su šlifavimo popieriumi	1,1 m/s <sup>2</sup> / 1,5 m/s <sup>2</sup>	1,9 m/s <sup>2</sup> / 1,5 m/s <sup>2</sup>
Panaudojant kitaip, pvz., atskiriamąją juostą arba juostą su plieninės vielos šepetčiu, gali atsirasti visiškai kitos vibravimo vertės!		


## DĖMESIO!

Šiame vadove nurodytos bendrosios vibracijos ir triukšmo emisijos vertės nustatytos pagal standartinius bandymo metodus pagal EN 60745, todėl gali būti taikomos lyginant vieną įrankį su kitu. Gali būti naudojama preliminariam poveikio įvertinimui.

Nurodytos bendrosios vibracijos ir triukšmo emisijos vertės atitinka įrankio taikymą. Jei įrankis naudojamas kitokiais tikslais, kartu su kitokiais priedais ar netinkamai prižiūrimas, bendrosios vibracijos ir triukšmo emisijos vertės gali skirtis. Tai gali žymiai padidinti poveikio lygį viso darbo metu.

Apskaičiuojant bendrosios vibracijos ir triukšmo emisijos vertes reikėtų atsižvelgti į laikotarpį, kai prietaisas yra išjungtas arba įjungtas, bet nėra naudojamas. Tai gali žymiai sumažinti poveikio lygį viso darbo metu.

Tam, kad naudotojas būtų apsaugotas nuo vibracijos ir (arba) triukšmo poveikio, reikia nustatyti papildomus saugos reikalavimus, pavyzdžiui: tinkamai prižiūrėti prietaisą ir jo priedus, laikyti rankas šiltai, organizuoti darbo modelius.

** DĖMESIO!** Perskaitykite visas saugumo pastabas ir nurodymus. Jei nepaisysite žemiau pateiktų saugos nuorodų ir reikalavimų, gali trenkti elektros smūgis, kilti gaisras ir/arba galite sunkiai susižaloti arba sužaloti kitus asmenis.

**Išsaugokite šias saugos nuorodas ir reikalavimus, kad ir ateityje galėtumėte jais pasinaudoti.**

### KAMPINIO ŠLIFUOKLIO SAUGUMO INSTRUKCIJOS

**Bendros įspėjamosios nuorodos, kurių būtina laikytis šlifuojant, naudojant šlifavimo popieriaus diskus, dirbant su vieliniais šepetiais, poliruojuojant ir pjaustant:**

**a) Šį elektrinį prietaisą galima naudoti kaip šlifavimo mašiną, skirtą šlifuoti abrazyviniais diskais, šlifavimo popieriumi, vieliniais šepetiais bei pjaustymo mašiną. Griežtai laikykis visų įspėjamųjų nuorodų, taisyklių, ženklų ir užrašų, kurie yra pateikiami su šiuo prietaisu, reikalavimų. Jei nepaisysite toliau pateiktų nuorodų, gali kilti elektros smūgio, gaisro ir/arba sunkių sužalojimų pavojus.**

**b) Šis elektrinis įrankis netinka poliruoti.** Jei įrankį naudojate ne pagal paskirtį, galite sukelti pavojų ir susižaloti.

**c) Nenaudokite jokių priedų ir papildomos įrangos, kurių gamintojas nėra specialiai numatęs ir rekomendavęs šiam elektriniam prietaisui.** Vien tik tas faktas, kad Jūs galite pritvirtinti kokį nors priedą prie elektrinio prietaiso, jokių būdu negarantuoja, kad juo bus saugu naudotis.



d) Panaudojamų dalių leistinas apsisukimų skaičius turi būti mažiausiai tokio dydžio, koks yra nurodytas didžiausias apsisukimų skaičius ant elektros prietaiso. Dalys, kurios sukasi greičiau negu yra leistina, gali sulūžti ir skristi į šalis.

e) Naudojamos įrankio išorinis skersmuo ir storis turi atitikti nurodytus Jūsų elektrinio prietaiso matmenis. Netinkamų matmenų įrankius gali būti sunku tinkamai apdengti bei valdyti.

f) Priedų sriegiai turi atitikti šlifavimo suklio sriegius. Prijungiamų dalių anga, skirta įtempimo kaiščiui, turi atitikti lokalizavimo jungės skersmenį. Priedai, kurie netinka prietaiso montavimo kaiščiui, veikia ekscentriškai, stipriai vibruoja ir dėl to galite prarasti įrankio kontrolę.

g) Nenaudokite pažeistų darbo įrankių. Prieš kiekvieną naudojimą patikrinkite darbo įrankius, pvz., šlifavimo diskus – ar jie nėra apulžinėję ir įtrūkę, šlifavimo žiedus – ar jie nėra įtrūkę, susidėvėję ir labai nudilę, vielinius šepetus – ar jų vielutės nėra atsilaisvinusios ar nutrūkusios. Jei elektrinis prietaisas ar darbo įrankis nukrito iš didesnio aukščio, patikrinkite, ar jis nėra pažeistas, arba naudokite kitą, nepažeistą, darbo įrankį. Patikrinę ir sumontavę darbo įrankį pasirūpinkite, kad nei Jūs, nei greta esantys asmenys nebūtų besisukancio darbo įrankio plėkštumoje, ir leiskite elektriniam prietaisui vieną minutę veikti didžiausiu suklių skaičiumi. Jei darbo įrankis pažeistas, per šį bandomąjį laiką jis turėtų subyrėti.

h) Dirbkite su asmeninėmis apsaugos priemonėmis. Atitinkamai pagal atliekamą darbą užsidėkite viso veido apsaugos priemonės, akių apsaugos priemonės ar apsauginius akinius. Jei nurodyta, užsidėkite apsauginį respiratorių nuo dulkių, klausos apsaugos priemonės, apsaugines pirštines ir specialią prijuostę, kuri apsaugos Jus nuo smulkių šlifavimo ir ruošinio dalelių. Akys turi būti apsaugotos nuo aplink liekančių svetimkūnių, atsirandančių atliekant įvairius darbus. Respiratorius arba apsauginę kaukę turi išfiltruoti darbo metu kylančias dulkes. Dėl ilgalaikio ir stipraus triukšmo poveikio galite prarasti klausą.

i) Pasirūpinkite, kad kiti asmenys būtų saugiai atstumu nuo Jūsų darbo zonos. Kiekvienas, įžengęs į darbo zoną, turi būti su asmeninėmis apsaugos priemonėmis. Ruošinio gabalėliai ar atskilusios darbo įrankio dalės gali skristi dideliu greičiu ir sužeisti net už tiesioginės darbo zonos ribų esančius asmenis.

j) Dirbdami laikykite prietaisą už izoliuotų vietų, kuriose pjovimo įrenginys pats galėtų liesti paslėptus laidus. Pjovimo įrenginio kontaktas su įtampos laidais gali įelektrinti metalines prietaiso dalis, o tai gali sukelti elektros iškvovą.

k) Niekada nepadėkite elektrinio įrankio tol, kol darbo įrankis visiškai nusustos. Besisukantis darbo įrankis gali prisiliesti prie paviršiaus, ant kurio padedate prietaisą, ir elektrinis įrankis gali tapti nebevaldomas.

l) Nešdami prietaisą jo niekada neįjunkite. Netyčia prisilietus prie besisukancio darbo įrankio, jis gali įtraukti drabužius ir Jus sužeisti.

m) Reguliariai valykite elektrinio prietaiso ventiliacines angas. Variklio ventilatorius traukia dulkes į korpusą, ir susikaupus daug metalo dulkių gali kilti elektros smūgio pavojus.

n) Nenaudokite elektrinio prietaiso arti degių medžiagų. Kibirkštys šias medžiagas gali uždegti.

o) Nenaudokite darbo įrankių, kuriuos reikia aušinti skysčiais. Naudojant vandenį ar kitokius aušinamuosius skysčius gali trenkti elektros smūgis.

#### Atatranka ir atitinkamos įspėjamosios nuorodos

Atatranka yra staigi reakcija, atsirandanti, kai besisukantis darbo įrankis, pvz., šlifavimo diskas, šlifavimo žiedas, vielinis šepetys ar kt., ruošinyje įstringa ar užsiblokuoja ir todėl netikėtai sustoja. Todėl elektrinis prietaisas gali nekontroliuojamai atsukti nuo ruošinio priešinga darbo įrankio sukimosi kryptimi.

Pvz., jei ruošinyje įstringa ar yra užblokuojamas šlifavimo diskas, disko briauna, kuri yra ruošinyje, gali išlūžti ar sukelti atatranką. Tada šlifavimo diskas, priklausomai nuo jo sukimosi krypties blokavimo vietoje, pradeda judėti link dirbančiojo arba nuo jo. Tada šlifavimo diskas gali net nulūžti.

Atatranka yra netinkama elektrinio prietaiso naudojimo ar gedimo pasekmė. Jos galite išvengti, jei imsitės atitinkamų, žemiau aprašytų priemonių.

a) Dirbdami visada tvirtai laikykite prietaisą abiem rankom ir stenkitės išlaikyti tokią kūno ir rankų padėtį, kurioje sugebėtumėte atsipirti prietaiso pasipriešinimo jėgai atatranks metu. Jei yra papildoma rankena, visada ją naudokite, tada galėsite suvaldyti atatranks jėgas bei reakcijos jėgų momentą. Dirbantysis, jei imsis tinkamų saugos priemonių, gali suvaldyti reakcijos jėgas atatranks metu.

b) Niekada nelaiykite rankų arti besisukancio darbo įrankio. Įrankio priedai gali atsukti ir pažeisti ranką.

c) Venkite, kad Jūsų rankos būtų toje zonoje, kurioje įvyksta atatranka judės elektrinis prietaisas. Atatranks jėga verčia elektrinį prietaisą judėti nuo blokavimo vietos priešinga šlifavimo disko sukimosi kryptimi.

d) Ypač atsargiai dirbkite kampuose, ties aštriomis briaunomis ir t. t. Saugokite, kad darbo įrankis neatsimuštų į kliūtis ir neįstrigtų. Besisukantis darbo įrankis kampuose, ties aštriomis briaunomis arba atsimušęs į kliūtį turi tendenciją užstrigti. Tada prietaisas tampa nevaldomas arba įvyksta atatranka.

e) Draudžiama naudoti pjovimo grūdines arba dantytus pjūklelius. Šie darbiniai įrankiai dažnai sukelia atatranką arba su jais prarandama elektrinio įrankio kontrolė.

#### Specialios įspėjamosios nuorodos atliekantiems šlifavimo ir pjovimo darbus

a) Naudokite tik su šiuo prietaisu leidžiamus naudoti šlifavimo įrankius ir šiems įrankiams pritaikytus apsauginius gaubtus. Šlifavimo įrankiai, kurie nėra skirti šiam elektriniam prietaisui, gali būti nepakankamai uždengiami ir nesaugūs naudoti.

b) Šlifavimo diskus reikia įstatyti taip, kad šlifavimo paviršius neišsikištų už apsauginio gaubto krašto. Neteisingsi įstatytas šlifavimo diskas, išsikišęs už apsauginio gaubto krašto, nebus pakankamai apsaugotas.

c) Visada naudokite tokį apsauginį gaubtą, kuris yra skirtas naudojamam šlifavimo įrankiui. Apsauginis gaubtas turi būti patikimai pritvirtintas prie elektrinio prietaiso ir nustatytas į tokią padėtį, kad dirbančiajam būtų užtikrintas didžiausias saugumas, t. y. šlifavimo įrankis neturi būti nukreiptas į dirbantįjį. Apsauga saugo naudotoją nuo atskilusių disko fragmentų, atsitiktinio kontakto su disku ir kibirkščių, galinčių uždegti drabužius.

d) Šlifavimo įrankius leidžiama naudoti tik pagal rekomenduojamą paskirtį. Pvz., niekada nešifuokite pjovimo disko šoniniu paviršiumi. Pjovimo diskai yra skirti medžiagai pjaunamajai briauna pašalinti. Nuo šoninės apkrovos šie šlifavimo įrankiai gali sulūžti.

e) Jūsų pasirinktiems šlifavimo diskams tvirtinti visada naudokite nepažeistas tinkamo dydžio ir formos prispaudžiamąsias junges. Tinkamos jungės prilaiko šlifavimo diską ir sumažina lūžimo pavojų. Pjovimo diskams skirtos jungės gali skirtis nuo kitiems šlifavimo diskams skirtų jungių.

f) Nenaudokite sudilusių diskų, prieš tai naudotų su didesnėmis šlifavimo mašinomis. Šlifavimo diskai, skirti didesniems elektriniams prietaisams, nėra pritaikyti prie didelio mažųjų prietaisų išvystomo suklių skaičiaus ir gali sulūžti.

#### Specialios įspėjamosios nuorodos atliekantiems pjovimo darbus

a) Venkite užblokuoti pjovimo diską ir nespaukite jo per stipriai prie ruošinio. Nemėginkite atlikti pernelyg gilių pjūvių. Per stipriai prispaudus pjovimo diską, padidėja jam tenkanti apkrova ir atsiranda didesnė tikimybė jį pakreipti bei užblokuoti pjūvyje, vadinasi padidėja atatranks ir disko lūžimo rizika.

b) Venkite būti zonoje prieš ir už besisukancio pjovimo disko. Kai pjudami ruošinį pjovimo diską stumiate nuo savęs, įvykus atatrankai elektrinis prietaisas su besisukancio disku pradės judėti tiesiai į Jus.

c) Jei pjovimo diskas užstringa arba Jūs norite nutraukti darbą, išjunkite elektrinį prietaisą ir laikykite jį ramiai, kol diskas visiškai nustos sukstis. Niekada nemėginkite iš pjūvio vietos ištraukti dar tebesisukantį diską, nes gali įvykti atatranka. Nustatykite ir pašalinkite disko strigimo priežastį.

d) Nejunkite elektrinio prietaiso iš naujo tol, kol diskas neištrauktas iš ruošinio. Palaukite, kol pjovimo diskas pasiekė darbinį suklių skaičių, ir tik tada atsargiai šepkite pjūvimą. Priešingu atveju diskas gali užstrigti, išsokti iš ruošinio ar sukelti atatranką.

e) Plokštes ar didelius ruošinius paremkite, kad sumažintumėte atatranks riziką dėl užstrigusio pjovimo disko. Dideli ruošiniai gali išlįkti dėl savo svorio. Ruošinį reikia paremti iš abiejų pusių, tiek ties pjūvio vieta, tiek ir prie krašto.

f) Būkite ypač atsargūs darydami pjūvius sienose ar kitose aklinose vietose. Panyrantis pjovimo diskas gali pažeisti elektros laidus, dujotiekio ar vandentiekio vamzdžius ar kitus objektus ir sukelti atatranką.

#### Specialios įspėjamosios nuorodos atliekantiems šlifavimo naudojant šlifavimo popierius darbus:

a) Nenaudokite per didelių matmenų šlifavimo popieriaus, laikykites gamintojo pateiktų šlifavimo popieriaus matmenų. Už šlifavimo žiedo kysantis šlifavimo popierius gali sužaloti, užblokuoti, šlifavimo popierius gali įplyšti ar įvykti atatranka.

#### Specialios įspėjamosios nuorodos dirbantiems su vieliniais šepčiais :

a) Žinokite, kad vielos šeriai krenta iš šepčio net paprasto darbo metu. Per daug neapkraukite šerių pernelyg spausdami šepetį. Vieliniai šeriai gali lengvai pradurti plonus drabužius ir / arba odą.

b) Jei rekomenduojama dirbti su apsauginiu gaubtu, saugokite, kad vielinis šepetys nesiliestų apsauginio gaubto. Apvalių (lekštės tipir cilindrinų šepėčių skersmuo dėl spaudimo jėgos ir išcentrinųjų jėgų gali padidėti.

#### KITI SAUGUMO IR DARBO NURODYMAI

Prieš įjungdami įrankį visada patikrinkite, ar suklio užrakto mygtukas yra visiškai atleistas! Jei naudojote suklio užrakto abrazyviniame disku suveržti / atleisti, gali būti, kad mygtukas užstrigo užraktoje padėtyje.

Šliufojant metalus reikia kibirkštys. Atkreipkite dėmesį, kad nesuکهلتمėte pavojaus kitiems asmenims. Dėl gaisro pavojaus arti (kibirkščių likimo srityje) neturi būti jokių degių medžiagų. Nenaudokite dulkių nusirubimo.

Venkite kūno kontakto su skriejančiomis kibirkštimis ir šliufojant susidarantiomis dulkelėmis.

Nekiškite rankų į veikiančio įrenginio pavojaus zoną.

Draudžiama išiminti drožles ar nuopjovas, įrenginio veikiant.

Prietaisą tuoj pat išjunkite, jei atsiranda stiprus virpesiai arba kiti trūkumai. Patikrinkite įrenginį ir nustatykite priežastį.

Ypač sunkiomis sąlygomis (pvz., šliufojant metalus veleno ir vulkanizuoto pluošto šlifavimo disku) šliufotuvo viduje gali susikaupti daug nešvarumų.

Saugokite, kad metalinės dalys nepatektų į vėdinimo angas – trumpojo jungimo pavojus.

DĖMESIO! Pavojus nusidėginti! Dirbant diskas ir ruošinys įkaista. Keisdami diskus ar liesdami ruošinį mūvėkite pirštines. Rankas visada laikykite atokiai nuo šlifavimo vietos.

DĖMESIO! Siekdami išvengti trumpojo jungimo sukeliama gaisro pavojaus, sužalojimų arba produkto pažeidimų, neikiškite įrankio, keičiamo akumuliatoriaus arba įkroviklio į skysčius ir pasirūpinkite, kad į prietaisus arba akumuliatorius nepatektų jokių skysčių. Koroziją sukeliantys arba laidūs skysčiai, pvz., sūrus vanduo, tam tikrų chemikalai ir balikliai arba produktai, kurių sudėtyje yra baliklių, gali sukelti trumpąjį jungimą.

Keičiamų akumuliatorių ir įkroviklių nelaiykite atvirai. Laikykite tik sausoje vietoje. Saugokite nuo drėgmės.

Keičiamus M18 sistemos akumuliatorius kraukite tik „M18“ sistemos įkrovikliais. Nekraukite kitų sistemų akumuliatorių.

#### NAUDOJIMAS PAGAL PASKIRTĮ

Kampinis šliufotuvas yra skirtas metalui, akmeniui, betonui ir keraminėms medžiagoms šliufooti ir pjauti, taip pat – šliufovi švitrinu popieriumi ir vieliniu šepėliu.

Pjovimui naudokite pjovimo gaubtą, pateikiamą priedų asortimente. Kilus abejonėms, atkreipkite dėmesį į priemonių gamintojų nurodymus.

Elektrinį įrankį galima naudoti tik sausoje aplinkoje.

Prie kampinio šliufotuvo galima tvirtinti tik tinkamus šlifavimo ar pjovimo diskus ir pritaikytus apsaugos (šlifavimo arba pjovimo apsauga), kaip aprašyta šio vadovo gaminio specifikacijų skyriuje. Kampinis šliufotuvas turi būti naudojamas laikant rankomis; jo negalima tvirtinti prie fiksavimo įrangos ar darbastalo.

Nenaudokite gaminio kitaip, nei nurodytas naudojimas pagal paskirtį.

#### KITI PAVOJAI

Net ir tinkamai naudojant įrenginį neįmanoma apsaugoti nuo visų liekamųjų rizikų. Naudojant įrenginį gali kilti šie pavojai, į kuriuos naudotojui ypač svarbu atkreipti dėmesį:

- Vibracijos sukelti sužalojimai. Įrenginį laikykite už tam skirtų rankenų ir apribokite darbo bei ekspozicijos trukmę.
- Dėl triukšmo gali būti pažeista klausia. Naudokite klausos organų apsaugos priemonės ir apribokite ekspozicijos trukmę.
- Nešvarumų dalelių sukelti akių sužalojimai. Visuomet būkite su apsauginiais akiniais, mūvėkite tvirtas ilgas kelnes, pirštines ir avėkite tvirtus apsauginius batus.
- Nuodingų dulkių įkvėpimas.

#### NURODYMAI DĖL LIČIO JONŲ AKUMULIATORIAUS

##### Ličio jonų akumuliatoriaus naudojimas

Ilgesnį laiką nenaudojant keičiamas akumuliatorius prieš naudojimą įkraukite.

Aukštesnė nei 50°C temperatūra mažina keičiamų akumuliatorių galią. Venkite ilgesnio saulės ar šilumos šaltinių poveikio.

Įkroviklio ir keičiamo akumuliatoriaus jungiamieji kontaktai visada turi būti švarūs.

Kad prietaisas nuo ilgiau veiktų, pasinaudoję juo, iki galo įkraukite akumuliatoriaus.

Siekiant užtikrinti nuo ilgesnį baterijos tarnavimo laiką, reikėtų ją po atlikto įkrovimo iškart išimti iš įkroviklio.

Bateriją laikant ilgiau nei 30 dienų, būtina atkreipti dėmesį į šias nuorodas:

bateriją laikyti sausoje aplinkoje, esant apie 27 °C temperatūrai.

Baterijos įkrovimo lygis turi būti nuo 30% iki 50%.

Baterija pakartotinai turi būti įkraunama kas 6 mėnesius.

##### Ličio jonų akumuliatoriaus apsauga nuo perkrovos

Esant akumuliatoriaus perkrovai dėl pernelyg didelio srovės suvartojimo, pvz.: itin didelių apskų, staigus sustabdymo ar trumpojo jungimo, elektrinis įrankis vibruoja 5 sekundes, signalinis įkrovos rodmuo pradeda mirksėti ir elektrinis įrankis automatiškai išsijungia.

Norint įrankį pakartotinai įjungti, reikia atleisti jungiklį ir vėl jį įjungti. Esant ekstremalioms apkrovoms akumuliatorius per stipriai įkaista. Tokiu atveju visos įkrovos lemputės mirksi taip ilgai, kol akumuliatorius atvėsta. Užgesus įkrovos rodmenims įrankiu galima naudotis toliau.

##### Ličio jonų akumuliatoriaus pervežimas

Ličio jonų akumuliatoriams taikomos įstatyminės nuostatos dėl pavojingų krovinių pervežimų.

Šiuos akumuliatorius pervežti būtina laikantis vietinių, nacionalinių ir tarptautinių direktyvų ir nuostatų.

Naudotojai šiuos akumuliatorius gali naudoti savo transporte be jokių kitų sąlygų.

Už komercinį ličio jonų akumuliatorių pervežimą atsako ekspedicijos įmonė pagal nuostatas dėl pavojingų krovinių pervežimo. Pasiruošimo išsiųsti ir pervežimo darbus gali atlikti tik atitinkamai išmokyti asmenys. Visas procesas privalo būti prižiūrimas.

Pervežant akumuliatorius būtina laikytis šių punktų:

Siekiant išvengti trumpųjų jungimų, įsitinkinkite, kad kontaktai yra apsaugoti ir izoliuoti.

Atkreipkite dėmesį, kad akumulatorius pakuotės viduje neslidinėtų. Draudžiama pervežti pažeistus arba tekančius akumulatorius. Dėl detalesnių nurodymų kreipkitės į savo ekspedicijos įmonę.

## DARBO NUORODOS

### Apsauga nuo perkrovos ir atitranskos

Prietaisas turi apsauginę perkrovos bei antiatitranskos funkciją. Esant tam tikrai perkrovai, prietaisas nustoja veikti. Išjunkite elektrinį įrankį, tada vėl jį įjunkite, kad galėtumėte tęsti darbą.

### Tolygaus paleidimo reguliatorius

Saugiam valdymui - elektroninis tolygaus paleidimo reguliatorius, užkertantis kelią įrenginio trūkčiojimui, jį paleidžiant.

Jei prie šlifavimo priemonės reikia naudoti ir diską su sriegiu, įsitinkinkite, kad disko sriegio ilgis pakankamas sukliui.

Pjovimo ir šlifavimo diskus visada naudokite ir laikykite pagal gamintojo nurodymus.

Grandydami ir pjaudami visada dirbkite su apsauginiu gaubtu.

Šlifavimo diskus reikia įstatyti taip, kad šlifavimo paviršius neišsikištų už apsauginio gaubto krašto.

Prieš paleidžiant įrenginį, reikia priveržti jungės veržlę.

Visada naudokite papildomą rankeną.

Apdorojama detalė, jei ji nesilaiko savo svoriu, visada turi būti įtvirtinta. Niekada detalių prie disko neveskite ranka.

Prieš pradėdami prietaisą eksploatuoti būtina tvirtai priveržti jungės veržlę. Jeigu įstatomas įrankis nebus tvirtai priveržtas, naudojant jungės veržlę, gali nutikti, kad stabdant įstatomas įrankis praras būtiną įtempimo jėgą.

## VALYMAS

Įrenginio vėdinimo angos visada turi būti švarios.

## TECHNINIS APTARNAVIMAS

Naudokite tik „Milwaukee“ priedus ir „Milwaukee“ atsargines dalis. Dalis, kurių keitimas neaprašytas, leidžiama keisti tik „Milwaukee“ klientų aptarnavimo skyriams (žr. garantiją/klientų aptarnavimo skyrių adresus brošiūroje).

Jei reikia, nurodant įrenginio tipą bei specifikacijų lentelėje esantį numerį, iš klientų aptarnavimo skyriaus arba tiesiai iš Techtronic Industries GmbH, Max-Eyth-Straße 10, 71364 Winnenden, Germany, galima užsisakyti prietaiso surinkimo brėžinius.

## SIMBOLIAI



Prieš pradėdami dirbti su prietaisu, atidžiai perskaitykite jo naudojimo instrukciją.



DĖMESIO! ĮSPĖJIMAS! PAVOJUS!



Prieš atlikdami bet kokius darbus įrenginyje, išimkite keičiamą akumulatorių.



Nenaudokite nupjovimo operacijoms skirtos apsaugos.



Nenaudoti jėgos.



Taikyti jėgą.



Dirbdami su įrenginiu visada nešiokite apsauginius akinius.



Nešiokite klausos apsaugos priemones.



Dėvėti tinkamą apsauginę kaukę nuo dulkių.



Lietojiet aizsardzības cimduš!



Visada dirbkite laikydami abiem rankomis.



Tinka tik šlifavimo darbams.



Tinka tik pjovimo darbams.



Stebėkite, kad diskas būtų leistino storio.



Priedas – neįeina į tiekimo komplektaciją, rekomenduojamas papildymas iš priedų asortimento.



Elektros prietaisų negalima išmesti kartu su buitėmis atliekomis. Būtina rūšiuoti elektros ir elektroninius prietaisus ir atiduoti į atliekų perdirbimo centrą, kad jie būtų utilizuoti neteršiant aplinkos. Informacijos apie perdirbimo centrus ir atliekų surinkimo įstaigas teiraukitės vietos įstaigoje arba prekybininko.



$n_0$  Nominalus sūkių skaičius



V Įtampa



— — — Nuolatinė srovė



Europos atitikties ženklas






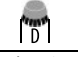
Britanijos atitikties ženklas



Ukrainos atitikties ženklas



Eurazijos atitikties ženklas

TEHNILISED ANDMED	M18 FSAG115X	M18 FSAG125X
Konstruksioon	Juhtmeta nurgalihvimimasin	Juhtmeta nurgalihvimimasin
Tootmisnumber	4830 49 01 XXXXXX MJJJJ	4830 56 01 XXXXXX MJJJJ
Vahetava aku ping	18 V	18 V
Nimipöörded	8500 min <sup>-1</sup>	8500 min <sup>-1</sup>
Spindlikeere	M14	M14
D=Lihvketta ø max	115 mm	125 mm
d=puurava ø	22,2 mm	22,2
 b=Lihvketta paksus max	6 mm	6 mm
 b=Lõikeketta paksus max / min	3 mm / 1 mm	3 mm / 1 mm
 D=Poleerimisketta läbimõõt max	115 mm	125 mm
 D=Kaussharja ø max	75 mm	75 mm
Kaal vastavalt EPTA-protseduurile 01/2014 (Li-ion 2,0 Ah ... 12,0 Ah)	2,4 ... 3,4 kg	2,4 ... 3,5 kg
Soovituslik keskkonna temperatuur töötamiseks	-18 ... +50 °C	
Soovituslikud akupakid	M18B...; M18HB...	
Soovituslik laadija	M12-18...; M1418C6	

**Müra andmed:** Mõõteväärtused on kindlaks tehtud vastavalt normile EN 60745. Seadme tüüpiline hinnanguline (müratase:

Helirõhutase / Määramatus K	82,7 dB(A) / 3 dB(A)	82,7 dB(A) / 3 dB(A)
Helivõimsuse tase / Määramatus K	93,7 dB(A) / 3 dB(A)	93,7 dB(A) / 3 dB(A)

#### Kandke kaitseks kõrvaklappe!

**Vibratsiooni andmed:** Vibratsiooni koguväärtus (kolme suuna vektorsummmõõdetud EN 60745 järgi.

Vibratsiooni emissiooni väärtus a <sub>h</sub> / Määramatus K		
Pinna lihvimine	4,8 m/s <sup>2</sup> / 1,5 m/s <sup>2</sup>	5,5 m/s <sup>2</sup> / 1,5 m/s <sup>2</sup>
Lihviehega lihvimine	1,1 m/s <sup>2</sup> / 1,5 m/s <sup>2</sup>	1,9 m/s <sup>2</sup> / 1,5 m/s <sup>2</sup>

Muude tööde puhul, nt lõikamisel või terastraatist harjaga lihvimisel võivad vibratsiooniväärtused muutuda!

## ▲ TÄHELEPANU!

Sellel teabelehel toodud vibratsiooni- ja müraemissioon on mõõdetud standardis EN 60745 kirjeldatud standarditud testiga ning seda võib kasutada tööriistade omavaheliseks võrdlemiseks. Testi võib kasutada kokkupuute esialgseks hindamiseks.

Deklareeritud vibratsiooni- ja müratase puudutab tööriista põhikasutust. Kui tööriista kasutatakse muuks otstarbeks, teistsuguste tarvikutega või tööriista hooldatakse halvasti, võivad vibratsioon ja müraemissioon erineda. See võib kokkupuutetasel kogu tööajal oluliselt suurendada.

Vibratsiooni ja müraga kokkupuute hinnangulise taseme juures võtta ka aega, kui tööriist on välja lülitatud või töötab, kuid sellega ei tehta tööd. See võib kokkupuutetasel kogu tööaja kohta oluliselt vähendada.

Tehke kindlaks täiendavad ohutusmeetmed operaatori kaitsmiseks vibratsiooni ja/või müra eest, näiteks: hooldage tööriista ja tarvikuid, hoidke käed soojas, vaadake üle töökorraldus.

## ▲ TÄHELEPANU!

Lugege kõik ohutusjuhend ja juhendid läbi. Ohutusjuhete ja juhiste eiramise tagajärjeks võib olla elektrilöök, tulekahju ja/või rasked vigastused.

**Hoidke kõik ohutusnõuded ja juhised edasiseks kasutamiseks hoolikalt alles.**

### OHUTUSJUHISED NURKLIHVIJATELE

Ühised ohutusjuhised lihvimiseks, liivapaberiga lihvimiseks, traatharjaga töötlemiseks, poleerimiseks ja lõikamiseks:

a) Käesolev elektriline tööriist on ette nähtud lihvimiseks, liivapaberiga lihvimiseks, traatharjaga töötlemiseks ja lõikamiseks. Järgige kõiki tööriistaga kaasasolevaid hoiatusi, juhiseid, jooniseid ja tehnilisi andmeid. Järgnevalt toodud juhiste eiramise tagajärjeks võib olla elektrilöök, tulekahju ja/või rasked vigastused.

b) See elektriline tööriist ei sobi poleerimiseks. Seadme kasutamine mitteetantud otstarbel võib põhjustada kahjustusi ja vigastusi.

c) Ärge kasutage tarvikuid, mida ei ole tootja selle elektrilise tööriista jaoks ette näinud ega soovitanud. Asjaolu, et saate tarvikuid oma seadme külge kinnitada, ei taga veel seadme ohutut tööd.

d) Instrumenti lubatud pöörete arv peab olema vähemalt sama suur kui elektritööriista märgitud maksimaalne pöörete arv. Tarvikud, mis pöörlevad lubatust kiiremini, võivad murduda ja lendu paiskuda.

e) Tarviku välisläbimõõt ja paksus peavad vastama elektrilise tööriista mõõtmetele. Valed mõõtmega tarvikuid ei kata kaitsekate piisaval määral, mistõttu võivad need kontrolli alt väljuda.

f) Tarvikudetailide keermed peavad lihvspindli keermeaga ühilduma. Tarvikudetailide puhul, mis paigaldatakse äärikinnitusega, peab kinnitustorni ava tarvikudetailis lokaliseerimisäärik läbimõõduga ühilduma. Tarvikudetailid, mis sobi seadme montaažitornile, töötavad eksentrilisel, vibreerival üleliia tugevasti ja võivad põhjustada kontrolli kaotamist tööriista üle.

g) Ärge kasutage vigastatud tarvikuid. Iga kord enne kasutust kontrollige tarvikuid, näiteks lihvkettaid ja lihvtaldu pragude või kulumise suhtes, traatharju lahtiste või murdunud traatide suhtes. Kui seade või tarvik kukub maha, siis veenduge, et see ei ole vigastatud, või kasutage vajaduse korral vigastamata tarvikut. Kui olete tarviku üle vaadanud ja kohale asetanud, laske seadmel ühe minuti jooksul töötada maksimaalsetel pööretel. Seejuures ärge asetsege pöörleva tarvikuga ühel tasandil ja veenduge, et seda ei tee ka läheduses viibivad inimesed. Selle katseaja jooksul vigastatud tarvikud üldjuhul purunevad.

h) Kandke isikukaitsevahendeid. Kasutage vastavalt kasutusotstarbele näomaski, silmakaitset või kaitseprille. Vajaduse korral kandke tolmukaitsemaski, kuulmiskaitsevahendeid, kaitsekindaid või kaitsepõlle, mis kaitseb Teid lihvimisel eralduvate väikeste osakeste eest. Silmad peavad olema kaitstud seadme kasutamisel eralduvate võõrkehade eest. Tolmu- või hingamisteede kaitsemaskid peavad filtreerima kasutamisel tekkiva tolmu. Pikaajaline vali müra võib kahjustada kuulmist.

i) Veenduge, et teised inimesed on tööpiirkonnast ohutuskauguses. Igaüks, kes tööpiirkonda siseneb, peab kandma isikukaitsevahendeid. Tooriku või tarviku murdunud tükid võivad eemale paiskuda ja põhjustada vigastusi ka väljaspool otsest tööpiirkonda.

j) Tööde puhul, kus lõikeseade võib minna vastu peidetud elektrijuhtmeid, hoidke kinni seadme isoleeritud käepidemetest. Kokkupuude pingestatud juhtmega võib pingestada ka lõikeseadme metallist osad ning põhjustada elektrilöögi.

k) Ärge pange seadet kunagi enne käest, kui instrument on täielikult seisnud. Pöörlev tarvik võib aluspinnaga kokku puutuda, mille tagajärjeks võib olla kontrolli kaotus seadme üle.

l) Seadme transportimise ajal ärge laske seadmel töötada. Teie rõivad võivad pöörleva tarvikuga juhuslikult kokku puutuda ning tarvik võib tungida Teie kehasse.

m) Puhastage regulaarselt seadme ventilatsiooniasiad. Mootori ventilaator tõmbab tolmu korpusesse, kuhjuv metallitolm võib põhjustada elektrilisi ohte.

n) Ärge kasutage seadet kergesti süttivate materjalide läheduses. Sädemete tõttu võivad need materjalid süttida.

o) Ärge kasutage tarvikuid, mille puhul tuleb kasutada jahutusvedelikke. Vee või teiste jahutusvedelike kasutamine võib põhjustada elektrilöögi.

### Tagasilöök ja asjaomased ohutusnõuded

Tagasilöök on kinnikiildumist tarvikust, näiteks lihvkettast, lihvtallast, traatharjast vmt tingitud järsk reaktsioon. Kinnikiildumine põhjustab tarviku järsu seiskumise. Selle tagajärjel liigub seade kontrollimatult tarviku pöörlemissuunale vastupidises suunas.

Kui näiteks lihvketas toorikus kinni kiildub, võib tagajärjeks olla tagasilöök või lihvketta murdumine. Lihvketas liigub sõltuvalt ketta pöörlemissuunast kas seadme kasutaja poole või kasutajast eemal. Seejuures võivad lihvkettad ka murduda.

Tagasilöök on seadme ebaõige kasutamise või valede töövõtete tagajärg. Seda saab vältida, rakendades järgnevalt kirjeldatud sobivaid ettevaatusabinõusid.

a) Hoidke seadet tugevasti kinni ja viige oma keha ja käed asendisse, milles saate tagasilöögiõududele vastu astuda. Suurima kontrolli saavutamiseks tagasilöögiõudude või reaktsoonimomentide üle kasutage alati lisakäepidet, kui see on olemas. Seadme kasutaja suudab sobivaid ettevaatusabinõusid rakendada tagasilöögi- ja reaktsoonijõudusid kontrollida.

b) Ärge viige oma kätt kunagi pöörlevate tarvikute lähedusse. Tarvik võib üle käe tagasi lüüa.

c) Vältige oma kehaga piirkonda, kuhu seade tagasilöögi puhul liigub. Tagasilöök viib seadme lihvketta liikumissuunale vastupidises suunas.

d) Eriti ettevaatlikult töötage nurkade, teravate servade jmt piirkonnas. Hoidke ära tarvikute tagasipõrkumine toorikult ja kinnikiildumine. Pöörlev tarvik kaldub nurkades, teravates servades ja tagasipõrkumise korral kinni kiilduma. See põhjustab kontrolli kaotuse seadme üle või tagasilöögi.

e) Ärge kasutage kettsaelahte ega hambulise servaga saelehte. Sellised instrumendid võivad kutsuda sageli esile tagasilöögi või põhjustada elektritööriista üle kontrolli kaotamist.

### Spetsiifilised ohutusnõuded lihvimisel ja lõikamisel

a) Kasutage üksnes elektrilise tööriista jaoks ette nähtud lihvimistarvikut ja selle lihvimistarviku jaoks ette nähtud kettakaitset. Lihvimistarvikuid, mis ei ole elektrilise tööriista jaoks ette nähtud, ei kata kettakaitse piisavalt ning seetõttu on need ohtlikud.

b) Astmelised lihvkettad tuleb monteerida nii, et nende lihvpind ei ulatu kaitsekatte serva tasandist väljapoole. Asjatundmatult monteeritud lihvkettast, mis ulatub kaitsekatte serva tasandist väljapoole, pole võimalik piisavalt varjestada.

c) Kasutage alati kettakaitset, mis on kasutatav tüüpi lihvimistarviku jaoks ette nähtud. Kettakaitse peab olema seadme külge kindlalt kinnitatud ja seadistatud nii, et tagatud oleks maksimaalne turvalisus, s. t et seadme kasutaja poole peab alati jääma kettakaitse suletud külge. Kaitse aitab kaitsta operaatorit purunenud kettaosade eest, juhusliku kokkupuute eest kettaga ning sädemete eest, mis võivad rõivad süüdata.

d) Lihvimistarvikuid tohib kasutada üksnes soovitatud kasutusotstarvetel. Näiteks: Ärge kunagi kasutage lihvimiseks lõikeketta külge. Lõikekettad on ette nähtud materjali lõikamiseks ketta servaga. Külgsuunas rakendatavate jõudude toimel võivad need kettad puruneda.

e) Kasutage valitud lihvketta jaoks alati õige suuruse ja kujuga ning vigastamata seibi. Sobivad seibid kaitsevad lihvkettast ja vähendavad lihvketta purunemise ohtu. Lõikekettaste seibid võivad lihvkettaste seibidest erineda.

f) Ärge kasutage suuremate elektriliste tööriistade kulumud lihvkettaid. Suuremate elektriliste tööriistade lihvkettad ei ole ette nähtud kasutamiseks väiksemate seadmete kõrgemal pööretel ja võivad puruneda.

### Täiendavad spetsiifilised ohutusnõuded lõikamiseks

a) Vältige lõikeketta kinnikiildumist või liiga suurt rakendatavat survet. Ärge tehke liiga sügavaid lõikeid. Lõikeketta ülekoormamine suurendab selle koormust ja kalduvust kinnikiildumisele ning sellega tagasilöögi või lihvketta purunemise ohtu.

b) Vältige pöörleva lõikeketta ette ja taha jäävat piirkonda. Kui juhite lõikeketast toorikus endast eemale, võib seade tagasilöögi korral koos pöörleva kettaga otse Teie suunas paiskuda.

c) Kui lõikeketas kinni kiildub või kui Te töö katkestate, lülitage seade välja ja hoidke seda paigal, kuni ketas on täielikult seisunud. Ärge kunagi püüdke veie pöörlevat lõikeketast lõikejoonest välja tõmmata, vastasel korral võib tekkida tagasilöök. Tehke kindlaks kinnikiildumise põhjus ja kõrvaldage see.

d) Ärge lülitage seadet sisse seni, kuni see on veel toorikus. Laske lõikekettal kõigepealt saavutada maksimaalpöörded, enne kui lõiget ettevaatlikult jätkate. Vastasel korral võib ketas kinni kiilduda, toorikust välja hüpata või tagasilöögi põhjustada.

e) Toestage plaadid või suured toorikud, et vähendada kinnikiildunud lõikekettast tingitud tagasilöögi ohtu. Suured toorikud võivad omaenda kaalu tõttu läbi painduda. Toorik peab olema toetatud mõlemalt poolt, nii lõikejoone lähedalt kui ka servast.

f) Olge eriti ettevaatlik olemasolevates seintes või teistes varjatud kohtadesse „taskulõiget“ tehes. Uputatav lõikeketas võib gaasi- või veetoru, elektrijuhtmete või teiste objektide tabamisel põhjustada tagasilöögi.

### Spetsiifilised ohutusnõuded liivapaberiga lihvimisel:

a) Ärge kasutage liiga suurte mõõtmega liivapabereid, juhinde tootja andmetest liivapaberi suuruse kohta. Üle lihvtalla ulatuvad liivapaberid võivad põhjustada vigastusi, samuti liivapaberi kinnijäämist, rebenemist või tagasilööki.

### Spetsiifilised ohutusjuhised traatharjade kasutamisel:

a) Teadke, et harjast võib eemalduda traatharjaseid isegi tavalist tööde käigus. Ärge koormake harjaseid üle, rakendades harjale liigset survet. Traatharjased tungivad kergesti läbi õhukeste riete ja/või naha.

**b) Kettakaitse kasutamisel vältige kettakaitse ja traatharja kokkupuute võimalust.** Taldrik- ja kaussarjade läbimõõt võib rakendatava surve ja tsentrifugaaljõudude toimel suurenedada.

### EDASISED OHUTUS- JA TÖÖJUHISED

Kontrollige alati, et spindliluku nupp oleks enne tööriista vahetamist täies ulatuses vabastatud! Pärast spindliluku kasutamist lihvimisketta kinni / lahti keeramiseks on võimalik, et nupp võib jääda lukustatud asendisse.

Metallide lihvimisel tekib sädemid. Veenduge selles, et inimesed poleks ohustatud. Tuleohu tõttu ei tohi lähedal (sädemete piirkonnas) olla tuleohtlikke materjale. Ärge kasutage toimu äärmemist.

Vältige lendavate sädemete ja lihvimistolmu sattumist kehale.

Ärge pange kätt töötava masina ohupiirkonda.

Puru ega pilpaid ei tohi eemaldada masina töötamise ajal.

Lülitage seade välja kohe, kui tekib märgatav vibratsioon või märkate muid puudusi. Kontrollige masin üle, et põhjus kindlaks teha.

Äärmuslikes tingimustes (nt tugiketta ja vulkaniseeritud kiududega lihvimisketta abil metallpindadele läike andmiseks) võib lihvi sisse koguneda märkimisväärne kogus mustust.

Lühiseohu tõttu ei tohi õhutuspiiludesse sattuda metalloos.

**TÄHELEPANU!** Põletusohu! Ketas ja töödeldav detail muutuvad kasutamise käigus kuumaks. Kandke ketaste vahetamisel või töödeldava detaili puudutamisel kindaid. Hoidke alati käed lihvimispinnast eemal.

**TÄHELEPANU!** Lühisest põhjustatud tuleohu, vigastuste või toote kahjustuste vältimiseks ärge kastke tööriista, vahetusakut ega laadimisseadet vedelikku ning jälgige, et vedelikke ei tungiks seadmesse ega akusse. Korrodeeruvad või elektrit juhtivad vedelikud, nagu soolvesi, teatud kemikaalid ja pleegitusained või pleegitusaineid sisaldavad tooted, võivad põhjustada lühisi.

Ärge avage vahetatavaid akusid ega laadijaid ning ladustage neid ainult kuivades ruumides. Kaitske niiskuse eest.

Laadige süsteemi M18 vahetatavaid akusid ainult süsteemi M18 laadijatega. Ärge laadige nendega teiste süsteemide akusid.

### KASUTAMINE VASTAVALT OTSTARBELE

Nurklihvija on ette nähtud metalli, kivi, betooni ja keraamiliste materjalide lihvimiseks ja lõikamiseks ning traatharjaga töötlemiseks.

Kasutage lõikamisel tarvikute hulgas olevat lõikekatet.

Kahtlusekorral järgida tarvikute tootja õpetusi.

Elektritööriist sobib üksnes kuivtöötamiseks.

Nurklihvija külge on lubatud paigaldada üksnes sobivaid lihvimis- või lõikekettaid ja seonduvaid kaitsmeid (lihvimiskaitse või lõikekaitse) vastavalt käesoleva kasutusjuhendi toote spetsifikatsiooni peatükis kirjeldatule. Nurklihvija on ette nähtud käsitsi kasutamiseks. See ei ole ette nähtud paigaldamiseks kinnituse või tööpingi külge.

Ärge kasutage toodet viisidel, mida ei ole toodud kasutusotstarbe peatükis.

### JÄÄKOHUD

Jääkohud ei ole välistatud ka otstarbekohase kasutamise korral. Kasutamisel võivad tekkida järgmised ohud, millele kasutaja peab erilist tähelepanu pöörama:

- Vibratsioonist põhjustatud vigastused. Hoidke seadet selleks ette nähtud käepidemetest ja piirake töö- ning toimeaega.
- Müraaaste võib põhjustada kuulmekahjustusi. Kandke kuulmekaitset ja piirake toimeaega.
- Mustuseosakestest põhjustatud silmavigastused. Kandke alati kaitseprille, vastupidavaid pikki pükse, kindaid ning tugevaid jalatseid.
- Mürgiste tolmude sissehingamine

### LIITIUMIOONAKUDE JUHISED

#### Liitiumioonakude kasutus

Pikemat aega mittekasutatud akusid laadige veel enne kasutamist.

Temperatuur üle 50 °C vähendab vahetatava aku töövõimet. Vältige pikemat soojenemist päikese või kütteseadme mõjul.

Hoidke laadija ja vahetatava aku ühenduskontaktid puhtad.

Optimaalse patarei eluea tagamiseks, pärast kasutamist lae patareiplokk täielikult.

Akud tuleks võimalikult pika kasutusea saavutamiseks pärast täislaadimist laadijast välja võtta.

Aku ladustamisel üle 30 päeva:

Ladustage akut kuivas kohas u 27°C juures.

Ladustage akut u 30-50% laetusseisundis.

Laadige aku iga 6 kuu tagant täis.

#### Liitiumioonakude ülekoormuskaitse

Aku ülekoormamisel kõrge voolutarbimisega, nt puuri blokeerumisel, lühise tekkimisel või liikõrgetel pööretel, vibreerib elektritööriist 5 sekundit, laadimistuli vilgub ja tööriist lülitub automaatselt välja.

Uuesti sisse lülitamiseks tuleb päästik esmalt vabastada ning seejärel uuesti alla suruda. Ülisuurel koormusel võib aku kuumeneda kõrgete temperatuurideni. Sellisel juhul vilguvad kõik laadimistulukesed kuni aku jahtumiseni. Peale laadimistulukeste kustumist võite tööd jätkata.

#### Liitiumioonakude transportimine

Liitiumioonakud on allutatud ohtlike ainete transportimisega seonduvatele õigusaktidele.

Nende akude transportimine peab toimuma kohalikest, siseriiklikest ja rahvusvahelistest eeskirjadest ning määrustest kinni pidades.

Tarbijad tohivad neid akusid edasiste piiranguteta tänaval transportida.

Liitiumioonakude komertstransport ekspedeerimisettevõtete kaudu on allutatud ohtlike ainete transportimisega seonduvatele õigusaktidele. Tarne-ettevalmistusi ja transporti tohivad teostada eranditult vastavalt koolitatud isikud. Kogu protsessi tuleb asjatundlikult jälgida.

Akude transportimisel tuleb järgida järgmisi punkte:

Tehke kindlaks, et kontaktid on lühiste vältimiseks kaitstud ja isoleeritud.

Pöörake tähelepanu sellele, et akupakk ei saaks pakendis nihkuda. Kahjustatud või välja voolanud akusid ei tohi kasutada. Pöörduge edasiste juhiste saamiseks ekspedeerimisettevõtte poole.

### TÖÖJUHISED

#### Ülekoormus- ja tagasilöögikaitse

Seade on varustatud "Overload" ja "Anti Kickback" katsefunktsiooniga ning seiskub vastava ülekoormuse korral. Lülitage elektritööriist välja ja seejärel töö jätkamiseks tagasi sisse.

#### Sujuvkävitus

Turvaliseks käsitsemiseks mõeldud elektrooniline sujuvkävitus takistab masina järsku käivitumist sisselülitamisel.

Keermestatud kettaga varustada tulevate lihvimisvahendite puhul tagage kettas oleva keeme piisav pikkus spindli jaoks.

Kasutage ja säilitage lõike- ning lihvkettaid alati vastavalt tootja andmetele.

Töötage lihvimisel ja lõikamisel alati kaitsekattega.

Astmelised lihvkettad tuleb monteerida nii, et nende lihvpind ei ulatu kaitsekatte serva tasandist väljapoole.

Ääriku mutter peab enne masina käiklaskmist olema pingutatud.

Kasutage alati lisakäepidid.

Töödeldav toorik tuleb kinnitada, kui ta ei seisa oma raskusega paigal. Ärge juhtige toorikut kunagi käega vastu ketast.

Enne masina kasutusele võtmist peavad mutrid olema tugevalt pingutatud Kui instrument pole tugevalt mutriga pingutatud, on võimalik, et instrument pidurdamise ajal kaotab vajaliku elastsuse

### PUHASTAMINE

Hoidke masina õhutuspiilud alati puhtad.

### HOOLDUS

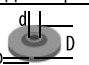



Kasutage ainult Milwaukee tarvikuid ja Milwaukee tagavaraosi. Detailid, mille väljavahetamist pole kirjeldatud, laske välja vahetada Milwaukee klienditeeninduspunktis (vaadake brošüüri garantii / klienditeeninduste aadressid).

Vajaduse korral võite tellida seadme läbilõikejoonise, näidates ära masina tüübi ja andmesildi oleva numbri. Selleks pöörduge klienditeeninduspunkti või otse: Techtronic Industries GmbH, Max-Eyth-Straße 10, 71364 Winnenden, Germany.

### SÜMBOLID

	Palun lugege enne käiklaskmist kasutusjuhend hoolikalt läbi.
	ETTEVAATUST! TÄHELEPANU! OHUD!
	Enne kõiki töid masina kallal võtke vahetatav aku välja.
	Ärge kasutage kaitset lõiketöödeks.
	Ärge kasutage jõudu.
	Rakenda jõudu.
	Masinaga töötades kandke alati kaitseprille.
	Kandke kaitseks kõrvaklappe.
	Kanda sobivat kaitsemaski.
	Kanda kaitsekindaid!
	Kasutage töö ajal alati mõlemat kätt.
	Ainult lihvimistöödeks.
	Ainult lõikamistöödeks.

	Kasutage lubatud paksusega kettaid.
	Tarvikud - ei kuulu tarne komplekti, soovitatav täiendus on saadaval tarvikute programmis.
	Elektriseadmeid ei tohi utiliseerida koos majapidamisprügiga. Elektrilised ja elektroonilised seadmed tuleb eraldi kokku koguda ning keskkonnasõbralikuks utiliseerimiseks vastavas käitlusettevõttes ära anda. Küsige kohalikest pädevatest ametitest või edasimüüjal käitlusjaamade ja kogumispunktide kohta järele.
	Nimipöörded
	Voltaaž
	Alalisvool
	Euroopa vastavusmärk
	Ühendkuningriigi vastavusmärk
	Ukraina vastavusmärk
	Euraasia vastavusmärk

ТЕХНИЧЕСКИЕ ДАННЫЕ		M18 FSAG115X	M18 FSAG125X
Модель		Акк. угловая шлифмашина	Акк. угловая шлифмашина
Серийный номер изделия		4830 49 01 XXXXXX MJJJJ	4830 56 01 XXXXXX MJJJJ
Вольтаж аккумулятора		18 V	18 V
Номинальное число оборотов		8500 min <sup>-1</sup>	8500 min <sup>-1</sup>
Резьба шпинделя		M14	M14
D=Диаметр шлифовального диска макс.		115 mm	125 mm
d=Диаметр и отверстия		22,2 mm	22,2
	b=Толщина шлифовального диска макс.	6 mm	6 mm
	b=Толщина отрезного круга макс. / мин.	3 mm / 1 mm	3 mm / 1 mm
	D=Диаметр шлифовального диска макс.	115 mm	125 mm
	D=Ø круглой щетки макс.	75 mm	75 mm
Вес согласно процедуре EPTA 01/2014 (Li-Ion 2,0 Ah ... 12,0 Ah)		2,4 ... 3,4 kg	2,4 ... 3,5 kg
Температура окружающей среды, рекомендованная для эксплуатации		-18 ... +50 °C	
Рекомендованные аккумуляторные блоки		M18B...; M18HB...	
Рекомендованные зарядные устройства		M12-18...; M1418C6	
<b>Информация по шумам:</b> Значения замерялись в соответствии со стандартом EN 60745. Уровень шума прибора, определенный по показателю A, обычно составляет:			
Уровень звукового давления / Небезопасность К		82,7 dB(A) / 3 dB(A)	82,7 dB(A) / 3 dB(A)
Уровень звуковой мощности / Небезопасность К		93,7 dB(A) / 3 dB(A)	93,7 dB(A) / 3 dB(A)
<b>Пользуйтесь приспособлениями для защиты слуха.</b>			
<b>Информация по вибрации:</b> Общие значения вибрации (векторная сумма трех направлений) определены в соответствии с EN 60745.			
Значение вибрационной эмиссии a <sub>v</sub> / Небезопасность К			
Плоское шлифование		4,8 m/s <sup>2</sup> / 1,5 m/s <sup>2</sup>	5,5 m/s <sup>2</sup> / 1,5 m/s <sup>2</sup>
Шлифовка с помощью шлифовального полотна		1,1 m/s <sup>2</sup> / 1,5 m/s <sup>2</sup>	1,9 m/s <sup>2</sup> / 1,5 m/s <sup>2</sup>
При применении в других целях, как, напр., абразивное отрезание или шлифование стальной проволочной щеткой, могут получаться другие показатели вибрации!			

## ВНИМАНИЕ!

Заявленные значения вибрации и шумового излучения, указанные в настоящем информационном листе, были измерены согласно стандартизированному методу испытания согласно EN 60745 и могут использоваться для сравнения одного инструмента с другим. Они могут применяться для предварительной оценки воздействия на организм человека.

Указанные значения вибрации и шумового излучения действительны для основных областей применения инструмента. Однако если инструмент используется в других областях применения или с другими принадлежностями либо проходит ненадлежащее обслуживание, значения вибрации и шумового излучения могут отличаться. Это может существенно увеличить уровень воздействия на организм на протяжении общего периода работы.

При оценке уровня воздействия вибрации и шумового излучения на организм также необходимо учитывать периоды, когда инструмент выключен, или когда он работает, но фактически не используется для выполнения работы. Это может существенно сократить уровень воздействия на организм на протяжении общего периода работы.

Определите дополнительные меры для защиты оператора от воздействия вибрации и/или шума, такие как обслуживание инструмента и его принадлежностей, сохранение рук в тепле, организация графиков работы.

## ВНИМАНИЕ!

Ознакомьтесь со всеми указаниями по безопасности и инструкциями Улучшения, допущенные при не соблюдении указаний и инструкций по технике безопасности, могут стать причиной электрического поражения, пожара и тяжелых травм.

Сохраняйте эти инструкции и указания для будущего использования.

## УКАЗАНИЯ ПО БЕЗОПАСНОСТИ К УГЛОВОЙ ШЛИФОВАЛЬНОЙ МАШИНЕ

Общие предупреждающие указания по шлифованию, шлифованию наждачной бумагой, для работ с проволочными щетками, для полирования и отрезных работ:

a) Настоящий электроинструмент предназначен для применения в качестве шлифовальной машины, шлифовальной машины с наждачной бумагой, проволочной щетки и отрезной машины. Учитывайте все предупреждающие указания, инструкции, иллюстрации и данные, которые Вы получите с электроинструментом. При несоблюдении нижеприведенных указаний возможно поражения электротоком, возникновение пожара и/или получение серьезных травм.

b) Настоящий электроинструмент не пригоден для полирования. Использование электроинструмента не по назначению может вывести его из строя и нанести травмы.

c) Не применяйте принадлежности, которые не предусмотрены изготовителем специально для настоящего электроинструмента и не рекомендуются им. Только возможность крепления принадлежностей в Вашем электроинструменте не гарантирует еще его надежного применения.

d) Допустимое число оборотов используемых принадлежностей должно быть как минимум таким же, как и максимальное число оборотов, указанное на электроинструменте. Комплектующие, которые вращаются быстрее допустимой скорости, могут сломаться и отлететь.

e) Наружный диаметр и толщина рабочих принадлежностей должны соответствовать размерам Вашего электроинструмента. Неправильно соразмеренные рабочие принадлежности не могут быть в достаточной степени защищены или контролироваться.

f) Резьба принадлежностей должна совпадать с резьбой шлифовального шпинделя. У принадлежностей, которые прикрепляются фланцами, отверстие для фиксации в детали должно совпадать с диаметром локализирующего фланца. Детали, которые не подходят к монтажному стрелноу прибора, работают эксцентрично, вибрируют слишком сильно и могут привести к потере контроля над инструментом.

g) Не применяйте поврежденную оснастку. Проверяйте каждый раз перед использованием рабочие инструменты, как то, шлифовальные круги на сколы и трещины, шлифовальные тарелки на трещины, риски или сильный износ, проволочные щетки на незакрепленные или поломанные проволоки. После падения электроинструмента или оснастки проверяйте последнюю на повреждения и при надобности установите неповрежденную оснастку. После ее закрепления займите сами и все находящиеся вблизи лица положение за пределами плоскости вращения и включите электроинструмент на одну минуту на максимальное число оборотов. Поврежденные рабочие инструменты разрываются, в большинстве случаев, за это время контроля.

h) Применяйте средства индивидуальной защиты. В зависимости от выполняемой работы применяйте защитный щиток для лица, защитное средство для глаз или защитные очки. Насколько уместно, применяйте противодышную респиратор, средства защиты органов слуха, защитные перчатки или специальный фартук, которые защищают Вас от абразивных частиц и частиц материала. Глаза должны быть защищены от летящих осколков, которые возникают при выполнении различных работ. Противодышная респиратор или защитная маска органов дыхания должны задерживать возникающую при работе пыль. Продолжительное воздействие сильного шума может привести к потере слуха.

i) Следите за тем, чтобы все лица находились на безопасном расстоянии к Вашему рабочему участку. Каждое лицо в пределах рабочего участка должно иметь средства индивидуальной защиты. Осколки детали или разорванных рабочих инструментов могут отлететь в сторону и стать причиной травм также и за пределами непосредственного рабочего участка.

j) Если Вы выполняете работы, при которых режущий инструмент может зацепить скрытую электропроводку кабель, инструмент следует держать за специально предназначенные для этого изолированные поверхности. Контакт режущего инструмента с токоведущим проводом может ставить под напряжение металлические части прибора, а также приводить к удару электрическим током.

k) Никогда не кладите электрический инструмент до тех пор, пока инструментальная насадка полностью не остановится. Вращающийся рабочий инструмент может зацепиться за опорную поверхность и в результате Вы можете потерять контроль над электроинструментом.

l) Выключайте электроинструмент при транспортировании. Ваша одежда может быть случайно захвачена вращающимся рабочим инструментом и последний может нанести Вам травму.

m) Регулярно очищайте вентиляционные прорези Вашего электроинструмента. Вентилятор двигателя затягивает пыль в корпус и большое скопление металлической пыли может привести к поражению электричеством.

n) Не пользуйтесь электроинструментом вблизи горючих материалов. Искры могут воспламенить эти материалы.

o) Не применяйте рабочие принадлежности, требующие применения охлаждающих жидкостей. Применение воды или других охлаждающих жидкостей может привести к поражению электротоком.

## Обратный удар и соответствующие предупреждающие указания

Обратный удар это внезапная реакция в результате заедания или блокирования вращающихся частей инструмента/принадлежностей, как то, шлифовального круга, шлифовальной тарелки, проволочной щетки и т.д., ведущая к резкой остановки вращающихся частей инструмента. При этом неконтролируемый электроинструмент ускоряется против направления вращения принадлежностей

Если шлифовальный круг заедает или блокирует в заготовке, то погруженная в заготовку кромка шлифовального круга может быть зажата и в результате привести к выскакиванию круга из заготовки или к обратному удару. При этом шлифовальный круг движется на оператора или от него, в зависимости от направления вращения круга на месте блокирования. При этом шлифовальный круг может поломаться.

Обратный удар является следствием неправильного использования электроинструмента или ошибки оператора. Он может быть предотвращен описанными ниже мерами предосторожности.

a) Крепко держите электроинструмент и займите Вашим телом и руками положение, в котором Вы можете противодействовать обратным силам. При наличии, всегда применяйте дополнительную рукоятку, чтобы как можно лучше противодействовать обратным силам или реакционным моментам при наборе оборотов. Оператор может подходить мерами предосторожности противодействовать силам обратного удара и реакционным силам.

b) Ваша рука никогда не должна быть вблизи вращающегося рабочего инструмента. Приспособление может отскочить в сторону вашей руки.

c) Держитесь в стороне от участка, в котором при обратном ударе будет двигаться электроинструмент. Обратный удар ведет электроинструмент в противоположном направлении к движению шлифовального круга в месте блокирования.

d) Особенно осторожно работайте на углах, острых кромках и т.д. Предотвращайте отскок рабочего инструмента от заготовки и его заклинивание. Углы, острые кромки и пружинящие элементы могут стать причиной заклинивания вращающейся оснастки. Это вызывает потерю контроля или обратный удар.

е) Не пользуйтесь цепными или зубчатыми пилами. Такие инструментальные насадки часто приводят к отдаче или потере контроля над электрическим инструментом.

**Специальные предупреждающие указания по шлифованию и отрезанию**

а) Применяйте допущенные исключительно для Вашего электроинструмента абразивные инструменты и предусмотренные для них защитные кожухи. Абразивные инструменты, не предусмотренные для этого электроинструмента, не могут быть достаточно экранированы и не безопасны.

б) Изогнутые шлифовальные диски необходимо устанавливать таким образом, чтобы их шлифовальная поверхность не выходила за пределы края защитного кожуха. Установленный ненадлежащим образом шлифовальный диск, выходящий за пределы края защитного кожуха, невозможно экранировать достаточным образом.

с) Всегда применяйте защитный кожух, предусмотренный для применяемого вида абразивного инструмента. Защитный кожух должен быть надежно закреплен на электроинструменте и настроен так, чтобы достигалась наибольшая степень безопасности, т.е. в сторону оператора должна быть открыта как можно меньшая часть абразивного инструмента. Щиток помогает защитить оператора от обломков диска, от случайного соприкосновения с диском, а также от искр, которые могут вызвать воспламенение одежды.

д) Абразивные инструменты допускается применять только для рекомендуемых работ. Например: никогда не шлифуйте боковой поверхностью отрезного круга. Отрезные круги предназначены для съема материала кромок. Боковые силы на этот абразивный инструмент могут сломать его.

е) Всегда применяйте неповрежденные фланцевые гайки с правильными размерами и формой для выбранного Вами шлифовального круга. Правильные фланцы являются опорой для шлифовального круга и уменьшают опасность его поломки. Фланцы для отрезных кругов могут отличаться от фланцев для шлифовальных кругов.

ф) Не применяйте изношенные шлифовальные круги больших электроинструментов. Шлифовальные круги для больших электроинструментов изготовлены не для высоких скоростей вращения маленьких электроинструментов и их может разорвать.

**Дополнительные специальные предупреждающие указания отрезания шлифованием**

а) Предотвращайте блокирование отрезного круга и избыточное усилие прижатия. Не выполняйте слишком глубоких резов. Перегрузка отрезного круга повышает его нагрузку и склонность к перекашиванию или блокированию и этим возможность обратного удара или поломки абразивного инструмента.

б) Будьте осторожны перед и за вращающимся отрезным кругом. Если Вы ведете отрезной круг в заготовке от себя, то в случае обратного удара электроинструмент может с вращающимся кругом отскочить прямо на Вас.

с) При заклинивании отрезного круга и при перерыве в работе выключайте электроинструмент и держите его спокойно, неподвижно до остановки круга. Никогда не пытайтесь вынуть еще вращающийся отрезной круг из реза, так как это может привести к обратному удару. Установите и устраните причину заклинивания.

д) Не включайте повторно электроинструмент пока абразивный инструмент находится в заготовке. Дайте отрезному кругу развить полное число оборотов, перед тем как Вы осторожно продолжите резание. В противном случае круг может заест, он может выскочить из детали и привести к обратному удару.

е) Плиты или большие заготовки должны надежно лежать на опоре, чтобы снизить опасность обратного удара при заклинивании отрезного круга. Большие заготовки могут прогибаться под собственным весом. Заготовка должна лежать на опорах с обеих сторон, как вблизи реза, так и по краям.

ф) Действуйте с особой осторожностью при вырезании участков существующих стен или работе в других слепых зонах. Погружающийся отрезной круг может при резании газопровода или водопровода, электрических проводов или других объектов привести к обратному удару.

**Специальные предупреждающие указания для шлифования наждачной бумагой:**

а) Не применяйте шлифовальные листы с завышенными размерами, а следуйте данным изготовителя по размерам шлифовальных листов. Шлифовальные листы, выступающие за край шлифовальной тарелки, могут стать причиной травм и блокирования, рваться или привести к обратному удару.

**Особые предупреждающие указания для работ с проволочными щетками:**

а) Учитывайте, что металлическая щетина может отлетать даже во время обычной работы. Не перегружайте проволочку, подвергая щетку чрезмерной нагрузке. Металлическая щетина может легко проникнуть сквозь одежду и/или кожу.

б) Если для работы рекомендуется использовать защитный кожух, то исключайте соприкосновение проволочной щетки с кожей. Тарельчатые и чашечные щетки могут увеличивать свой диаметр под действием усилия прижатия и центрифугальных сил.

**ДОПОЛНИТЕЛЬНЫЕ УКАЗАНИЯ ПО БЕЗОПАСНОСТИ И РАБОТЕ**

Перед включением инструмента всегда проверяйте, находится ли кнопка блокиратора шпинделя в положении полной разблокировки. После использования блокиратора шпинделя для крепления/высвобождения абразивного диска кнопка может застрять в положении блокировки.

Необходимо следить за тем, чтобы искры, вылетающие с обрабатываемой поверхности, не попадали на воспламеняющиеся материалы.

Избегайте попадания искр и шлифовальной пыли на тело.

Никогда не касайтесь опасной режущей зоны в момент работы.

Не убирайте опилки и обломки при включенном инструменте.

Немедленно выключайте машину если почувствовали ощутимую вибрацию или при других неисправностях. Проверьте инструмент чтобы обнаружить причину неисправности.

При работе в экстремальных условиях (например, при тонком шлифовании металлов с помощью диска с крепежным отверстием и шлифовального диска из вулканизированного волокна) внутри шлифовальной машины могут скапливаться сильные загрязнения.

Не приближайте металлические предметы к вентиляционным отверстиям из-за опасности короткого замыкания!

**ВНИМАНИЕ!** Опасность ожога! Во время работы диск и заготовка сильно нагреваются. Заменяя диск или прикасаясь к заготовке, носите перчатки. Всегда держите руки на расстоянии от области шлифования.

**ВНИМАНИЕ!** Для предотвращения опасности пожара в результате короткого замыкания, травм и повреждения изделия не опускайте инструмент, сменный аккумулятор или зарядное устройство в жидкости и не допускайте попадания жидкостей внутрь устройств или аккумуляторов. Коррозийные и проводящие жидкости, такие как соленый раствор, определенные химикаты, отбеливающие средства или содержащие их продукты, могут привести к короткому замыканию.

Никогда не вскрывайте аккумуляторы или зарядные устройства и храните их только в сухих помещениях. Следите, чтобы они всегда были сухими.

Для зарядки аккумуляторов модели M18 используйте только зарядным устройством M18. Не заряжайте аккумуляторы других систем.

## ИСПОЛЬЗОВАНИЕ

Углошлифовальная машина предназначена для шлифования и разрезания металла, камня, бетона и керамики, а также для обработки шлифовальной бумагой и проволочной щеткой.

Используйте для разрезания защитный колпачок из ассортимента принадлежности.

В случае сомнения соблюдайте указания производителя принадлежности.

Этот электроинструмент предназначен только для работы всухую.

Устанавливайте на углошлифовальную машину только соответствующие шлифовальные или резательные диски и соответствующие защитные приспособления (защитный кожух для шлифовки или резания) согласно указаниям в разделе касательно спецификации продукта в настоящем руководстве. Углошлифовальная машина предназначена для ручного использования и не предназначена для установки на рабочем столе или на крепежных приспособлениях.

Не используйте этот продукт для любой другой цели; используйте его только по указанному целевому назначению.

## ОСТАТОЧНЫЕ ОПАСНОСТИ

Даже при надлежащем использовании нельзя исключить все остаточные риски. При использовании могут возникнуть такие опасности, на которые пользователь должен обратить особое внимание:

- Травмы вследствие вибрации. Держите прибор за предусмотренные для этого рукоятки и ограничивайте время работы и экспозиции.
- Шумовое воздействие может привести к повреждению слуха. Носите защитные наушники и ограничивайте продолжительность экспозиции.
- Травмы глаз, вызванные частицами загрязнений. Всегда надевайте защитные очки, плотные длинные брюки, рукавицы и прочную обувь.
- Вдыхание ядовитой пыли.

## УКАЗАНИЯ ДЛЯ ЛИТИЙ-ИОННЫХ АККУМУЛЯТОРОВ

### Использование литий-ионных аккумуляторов

Перед использованием аккумулятора, которым не пользовались некоторое время, его необходимо зарядить.

Температура свыше 50°C снижает работоспособность аккумуляторов. Избегайте продолжительного нагрева или прямого солнечного света (риск перегрева).

Контакты зарядного устройства и аккумуляторов должны содержаться в чистоте.

Для обеспечения оптимального срока службы аккумулятор необходимо полностью заряжать после использования прибора.

Для достижения максимально возможного срока службы аккумуляторы после зарядки следует вынимать из зарядного устройства.

При хранении аккумулятора более 30 дней:

Храните аккумулятор при 27°C в сухом месте.

Храните аккумулятор с зарядом примерно 30% - 50%.

Каждые 6 месяцев аккумулятор следует заряжать.

### Защита литий-ионных аккумуляторов от перегрузки

В случае перегрузки аккумулятора по причине слишком большого потребления электроэнергии, при экстремально большом крутящем моменте, внезапной остановке или коротком замыкании, электроприбор вибрирует в течение 5 секунд,

загорается индикатор заряда аккумулятора и электроприбор автоматически выключается. т работу.

Для повторного включения следует отжать кнопку включения и потом снова включить. При слишком высоких нагрузках аккумулятор перегревается. В этом случае загораются все лампы индикатора заряда аккумулятора. Когда аккумулятор остынет и лампы погаснут – можно продолжайте

## Транспортировка литий-ионных аккумуляторов

Литий-ионные аккумуляторы в соответствии с предписаниями закона транспортируются как опасные грузы.

Транспортировка этих аккумуляторов должна осуществляться с соблюдением местных, национальных и международных предписаний и положений.

Эти аккумуляторы могут перевозиться по улице потребителем без дальнейших обязательств.

При коммерческой транспортировке литий-ионных аккумуляторов экспедиторскими компаниями действуют положения, касающиеся транспортировки опасных грузов. Подготовка к отправке и транспортировка должны производиться исключительно специально обученными лицами. Весь процесс должен находиться под контролем специалиста.

При транспортировке аккумуляторов необходимо соблюдать следующие пункты:

Убедитесь, что контакты защищены и изолированы во избежание короткого замыкания.

Следите за тем, чтобы аккумуляторный блок не соскользнул внутри упаковки. Транспортировка поврежденных или протекающих аккумуляторов запрещена. За дополнительными указаниями обратитесь к своему экспедитору.

## УКАЗАНИЯ ПО РАБОТЕ

### Защита от перегрузки и обратного удара

Пожалуйста, учитывайте, что при исчезновении нагрузки машина снова самостоятельно запускается с изначальной рабочей скоростью вращения. Выключите электроприводной инструмент, а затем включите его заново для продолжения работы.

### Плавный старт

Плавный старт для безопасной работы предотвращает резкое включение инструмента.

Предназначается для инструментов, которые могут использоваться с кругами, оснащенными резбовым отверстием, причем длина резьбы должна соответствовать длине шпинделя.

Всегда используйте и храните отрезные и шлифовальные диски в соответствии с инструкциями производителя.

При шлифовании или отрезании всегда пользуйтесь защитным ограждением.

Изогнутые шлифовальные диски необходимо устанавливать таким образом, чтобы их шлифовальная поверхность не выходила за пределы края защитного кожуха.

Перед включением инструмента затяните гайку с фланцем.

Всегда пользуйтесь дополнительной рукояткой.

Если изделие не достаточно тяжелое и неустойчивое, то его необходимо закрепить. Никогда не подносите изделие к шлифовальному диску, держа его в руках.

Перед вводом машины в эксплуатацию фланцевая гайка должна быть прочно затянута. Если фланцевая гайка рабочего инструмента затянута непрочно, инструмент при торможении может потерять необходимое зажимное усилие.

Всегда держите охлаждающие отверстия чистыми.

Всегда держите охлаждающие отверстия чистыми.

Всегда держите охлаждающие отверстия чистыми.

Всегда держите охлаждающие отверстия чистыми.

Всегда держите охлаждающие отверстия чистыми.

Всегда держите охлаждающие отверстия чистыми.

Всегда держите охлаждающие отверстия чистыми.

Всегда держите охлаждающие отверстия чистыми.

Всегда держите охлаждающие отверстия чистыми.

Всегда держите охлаждающие отверстия чистыми.

Всегда держите охлаждающие отверстия чистыми.

Всегда держите охлаждающие отверстия чистыми.

Всегда держите охлаждающие отверстия чистыми.

Всегда держите охлаждающие отверстия чистыми.

## ОБСЛУЖИВАНИЕ

Пользуйтесь аксессуарами и запасными частями Milwaukee. В случае возникновения необходимости в замене, которая не была описана, обращайтесь в один из сервисных центров по обслуживанию электроинструментов Milwaukee (см. список сервисных организаций).

При необходимости может быть заказан чертеж инструмента с трехмерным изображением деталей. Пожалуйста, укажите номер и тип инструмента и закажите чертеж у Ваших местных агентов или непосредственно у Techtronic Industries GmbH, Max-Eyth-Straße 10, 71364 Winnenden, Germany.

## СИМВОЛЫ

	Пожалуйста, внимательно прочтите инструкцию по использованию перед началом любых операций с инструментом.
	<b>ВНИМАНИЕ! ПРЕДУПРЕЖДЕНИЕ! ОПАСНОСТЬ!</b>
	Выньте аккумулятор из машины перед проведением с ней каких-либо манипуляций.
	Не используйте защитный щиток для операций отрезания.
	Не применяйте силу
	Применить силу.
	При работе с инструментом всегда надевайте защитные очки.
	Используйте наушники!
	Надевайте противопылевой респиратор.
	Надевать защитные перчатки!
	Всегда работайте двумя руками.
	Только для шлифования.
	Только для отрезания.
	Обращайте внимание на допустимую толщину диска.

	Принадлежности - В стандартную комплектацию не входит, поставляется в качестве дополнительной принадлежности.
	Электрические устройства нельзя утилизировать вместе с бытовым мусором. Электрические и электронные устройства следует собирать отдельно и сдавать в специализированную утилизирующую компанию для утилизации в соответствии с нормами охраны окружающей среды. Сведения о центрах вторичной переработки и пунктах сбора можно получить в местных органах власти или у вашего специализированного дилера.
	Номинальное число оборотов
	Напряжение
	Постоянный ток
	Европейский знак соответствия
	Британский знак соответствия
	Украинский знак соответствия
	Евразийский знак соответствия

## ТЕХНИЧЕСКИ ДАННИ

	M18 FSAG115X	M18 FSAG125X	
Тип	Аккумуляторен Ёглошлайф	Аккумуляторен Ёглошлайф	
Производствен номер	4830 49 01 XXXXXX MJJJ	4830 56 01 XXXXXX MJJJ	
Напряжение на аккумулятора	18 V	18 V	
Номинална скорост на въртене	8500 min <sup>-1</sup>	8500 min <sup>-1</sup>	
Резба на шпиндела	M14	M14	
D=ø на абразивните дискове макс.	115 mm	125 mm	
d=отвор с ø	22,2 mm	22,2	
	b=Дебелина на диска за шлайфане макс.	6 mm	6 mm
	b=Дебелина на режещия диск макс. / мин.	3 mm / 1 mm	3 mm / 1 mm
	D=Размер на шлифовъчния диск макс.	115 mm	125 mm
	D=ø чашковидна четка макс.	75 mm	75 mm
Тегло съгласно процедурата EPTA 01/2014 (Li-Ion 2,0 Ah ... 12,0 Ah)	2,4 ... 3,4 kg	2,4 ... 3,5 kg	
Препоръчителна температура на околната среда при експлоатация	-18 ... +50 °C		
Препоръчителни акумулаторни батерии	M18B...; M18HB...		
Препоръчителни зарядни устройства	M12-18...; M1418C6		

**Информация за шума:** Измерените стойности са получени съобразно EN 60745. Оцененото с А ниво на шума на уреда е съответно:

82,7 dB(A) / 3 dB(A)	82,7 dB(A) / 3 dB(A)
93,7 dB(A) / 3 dB(A)	93,7 dB(A) / 3 dB(A)

Равнище на звуковото налягане / Несигурност К  
Равнище на мощността на звука / Несигурност К

**Да се носи предпазно средство за слуха!**

**Информация за вибрациите:** Общите стойности на вибрациите (векторна сума на три посоки) са определени в съответствие с EN 60745.

Стойност на емисии на вибрациите a <sub>h</sub> / Несигурност К	4,8 m/s <sup>2</sup> / 1,5 m/s <sup>2</sup>	5,5 m/s <sup>2</sup> / 1,5 m/s <sup>2</sup>
Шлайфане на повърхности	1,1 m/s <sup>2</sup> / 1,5 m/s <sup>2</sup>	1,9 m/s <sup>2</sup> / 1,5 m/s <sup>2</sup>
Шлайфане с лента за шлайфане		

При друго използване, например отрезно шлайфане или шлайфане със стоманена четка, могат да се получат други стойности на вибрациите!

## ВНИМАНИЕ!

Посочените в настоящия информационен лист нива на вибрации и шумови емисии са измерени в съответствие със стандартизирано изпитване, предоставено в EN 60745, и могат да се използват за сравняване на един инструмент с друг. Те може също така да се използват и за предварителна оценка на излагането на вредни въздействия.

Декларираните нива на вибрации и шумови емисии се отнасят за основните приложения на инструмента. Ако обаче инструментът се използва за други приложения, с други приспособления или не се поддържа добре, нивата на вибрации и шумови емисии могат да са различни. Това може значително да повиши нивото на излагане на вредни въздействия за общата продължителност на работата.

При оценка на нивото на излагане на въздействието на вибрации и шум следва също така да се вземе предвид времето, през което инструментът е изключен или през което е включен, но не се използва. Това може значително да понижи нивото на излагане на вредни въздействия за общата продължителност на работата.

Определете допълнителни мерки за безопасност за защита на оператора от въздействието на вибрациите и/или шума, като например поддръжка на инструмента и приспособленията, поддържането на топлината на ръцете и организацията на работата.

**ВНИМАНИЕ!** Прочетете указанията за безопасност и съветите. Пропуски при спазването на указанията и на инструкциите за безопасност могат да доведат до токов удар, пожар и/или тежки наранявания.  
**Запазете всички указания и инструкции за безопасност за бъдещето.**

## УКАЗАНИЯ ПО ТЕХНИКА НА БЕЗОПАСНОСТ ЗА ЁГЛОШЛАЙФ

Общи инструкции за безопасност при шлифване, шлифване с шкурка, работа с телени четки и при абразивно рязане.

**а) Този електроинструмент е предвиден за употреба като шлайф, шлайф за шкурена, телена четка и абразивна машина за рязане. Спазвайте всички инструкции за безопасност, указания, илюстрации и данни, които получавате с уреда. Ако не спазвате следните указания, това може да доведе до токов удар, пожар и/или тежки наранявания.**

**б) Този електроинструмент не е подходящ за полиране. Ако се използва за цели, за които не е предвиден, този електроуред може да доведе до опасност и наранявания.**



c) Не използвайте допълнителни приспособления, които не се препоръчват от производителя специално за този електроинструмент. Фактът, че можете да закрепите към машината определено приспособление или работен инструмент, не гарантира безопасна работа с него.

d) Допустимата честота на въртене на използвания се инструмент трябва да бъде поне толкова висока, колкото и посочената на уреда честота на въртене. Аксесоарите, които се въртят по-бързо от допустимото, могат да се счупят и да се разхвърчат.

e) Външният диаметър и дебелината на работния инструмент трябва да отговарят на посочените размери на Вашия електроинструмент. Работни инструментите с неподходящи размери не могат да бъдат покрити достатъчно или да бъдат контролирани.

f) Резбата на компонентите трябва да съответства на резбата на вретеното. При компоненти, които са монтирани на фланци, отворът за затегателния дорник в компонента трябва да съвпада с диаметъра за закрепване на фланеца. Компонентите, които не са подходящи за монтажа дорник на устройството, се движат ексцентрично, вибрират и могат да доведат до загуба на контрола върху инструмента.

g) Не използвайте повредени работни инструменти. Преди всяка употреба проверявайте работните инструменти, напр. абразивните дискове за пукнатини или открити ръбчета, подложните дискове за пукнатини или силно износване, телените четки за недобре захванати или счупени телчета. Ако изтървете електроинструмента или работния инструмент, ги проверявайте внимателно за увреждания или използвайте нови неповредени работни инструменти. След като сте проверили внимателно и сте монтирали работния инструмент, оставете електроинструмента да работи на максимални обороти в продължение на една минута; стойте и дръжте намиращи се наблизо лица встрани от равнината на въртене. Най-често повредени работни инструменти се чупят през този тестов период.

h) Носете лични предпазни средства. Според необходимостта използвайте цяла лицева маска, маска за очи или защитни очила. Ако е необходимо носете маска срещу прах, защита на слуха, предпазни ръкавици или специална престилка, която предпазва от малки частици от дюза или от материала. Очите трябва да се защитят от чужди тела, които могат да отлетят по различни причини. Противопрашната или дихателната маска трябва да могат да филтрират праха, който се образува при работа. Ако сте изложени дълго време на силен шум, това може да причини загуба на слуха Ви.

i) Внимавайте останалите лица да са на безопасно разстояние от Вашата работна зона. Всеки, който влиза в работната зона, трябва да носи лични предпазни средства. Отчупени парченца от обработваната част или от счупени работни инструменти могат да отлетят и да причинят наранявания дори и на лица извън непосредствената работна зона.

j) Дръжте уреда за изолираните ръкохватки, когато извършвате работи, при които режещият инструмент може да засегне скрити електроинсталационни кабели. Контактът на режещия инструмент с тоководещ проводник може да предаде напрежението върху метални части на уреда и да доведе до токов удар.

k) Никога не оставяйте електрическата машина, докато инструментът не е напълно спрял. Въртящият се работен инструмент може да влезе в контакт с повърхността, върху която сте оставили електроинструмента, поради което може да загубите контрола върху него.

l) Докато пренасяте електроинструмента, не го оставяйте включен. При неволен допир дрехите или косите Ви могат да бъдат увлечени от работния инструмент, в резултат на което работният инструмент може да се вреже в тялото Ви.

m) Почиствайте редовно шлицовете за проветрение на електроинструмента. Духалката на мотора засмуква прах в корпуса на електроинструмента, а насъбирането на метален прах може да причини електрически опасности.

n) Не работете с електроинструмента в близост до запалими материали. Искрите могат да възпламенят тези материали.

o) Не използвайте работни инструменти, които трябва да се охлаждат с течности. Употребата на вода или на други течни охлаждащи средства може да доведе до токов удар.

#### Откат и съвети за избягването му

Ритането е внезапна реакция на машината вследствие на закъчил се или блокиран въртящ се инструмент, напр. шлайфаща шайба, шлайфаш диск, телена четка и др. Закъчането или блокирането води до внезапно спиране на въртящия се инструмент. По този начин на мястото на блокиране машина се ускорява неконтролирано срещу посоката на въртене на инструментата.

Ако напр. шлифовъчният диск се заклинни или блокира в обработваната част, ръбът на диска, който влиза в обработваната част, може да се заплете и по този начин шлифовъчният диск може да се счупи или да бъде предизвикан откат. Тогава шлифовъчният диск се отправя към или се отдалечава от обслужващото лице, в зависимост от посоката на въртене на диска на мястото на блокиране. В такъв случай шлифовъчните дискове могат също да се счупят.

Откатът е резултат от неправилна или погрешна употреба на електроинструмента. Той може да бъде предотвратен чрез подходящи мерки за безопасност, както е описано в следното.

a) Хванете здраво машината и дръжте тялото и ръцете си в такова положение, в което да можете да поемете силата на отката. Винаги използвайте допълнителната ръкохватка, ако има такава, за да имате възможно най-голям контрол върху силата на отката или върху реактивния въртящ момент. Чрез подходящи мерки за безопасност обслужващият персонал може да овладее силите на отката и на реакция.

b) Никога не приближавайте ръцете си до въртящи се работни инструменти. Аксесоарът може да предизвика откат над ръката Ви.

c) Избягвайте тялото Ви да се намира в тази зона, в която може да се окаже електрическата машина при „ритане“. Ритането измества машината на мястото на блокиране в посока обратна на движението на шлайфащата шайба.

d) Работете особено предпазливо в зоните на ъгли, остри ръбове и др. п. Избягвайте отблъскването на работните инструменти от обработваната част и заклиняването им в нея. При обработване на ъгли или остри ръбове или при рязко отблъскване на въртящия се работен инструмент съществува повишена опасност от заклиняване. Това предизвиква загуба на контрол над машината или откат.

e) Не използвайте верижни или нарязан режещ диск. Такива инструменти често причиняват „ритане“ или загуба на контрол върху електрическата машина.

#### Специални указания за безопасна работа с режещи дискове

a) Използвайте само предвидените за Вашия електроинструмент абразивни дискове и предназначения за използвания абразивен диск предпазен кожух. Абразивни дискове, които не са предназначени за електроинструмента, не могат да бъдат екранирани добре и не гарантират безопасна работа.

b) Извитите дискове за шлайфане трябва да бъдат монтирани така, че повърхността им за шлайфане да не излиза извън равнината на ръба на предпазния капак. Неправилно монтираният диск за шлайфане, който излиза извън равнината на ръба на предпазния капак, не може да бъде достатъчно добре екраниран.

c) Използвайте само предвидените за Вашия електроинструмент абразивни дискове и предназначения за използвания абразивен диск предпазен кожух. .

Предпазителят помага за защита на оператора от отчупени парченца от диска, от случане досег с него и от искри, които могат да подпалят дрехите.

d) Режещи шайби могат да се ползват само за препоръчаните възможности за употреба. Например: никога не шлайфайте със страничната повърхност на режещата шайба. Използването на подходящ фланец предпазва диска и по този начин намалява опасността от счупването му. Застопоряващите фланци за режещи дискове могат да се различават от тези за дискове за шлифване.

e) Винаги използвайте застопоряващи фланци, които са в безурочно състояние и съответстват по размери и форма на използвания абразивен диск. Използването на подходящ фланец предпазва диска и по този начин намалява опасността от счупването му. Застопоряващите фланци за режещи дискове могат да се различават от тези за дискове за шлифване.

f) Не използвайте износени шлифовъчни дискове от по-големи електроинструменти. Дисковете за по-големи електроинструменти не са предназначени за по-високите обороти, с които се въртят по-малки електроинструменти, и могат да се счупят.

#### Специални указания за безопасна работа с режещи дискове

a) Не допускайте блокиране или твърде силно притискане на режещия диск. Не правете прекалено дълбоки разрези. Претоварването на режещия диск повишава силите, които действат върху него, а с това и опасността от заклиняване или блокиране, което от своя страна може да доведе до откат или счупване на абразивния диск.е.

b) Избягвайте да заставате в зоната пред и зад въртящия се режещ диск. Когато режещият диск е в една равнина с тялото Ви, в случай на откат електроинструментът с въртящия се диск може да отскочи непосредствено към Вас и да Ви нарани.

c) Ако режещият диск се заклеми или искате да прекъснете работата, изключете машината и я дръжте спокойно, докато шайбата спре да се върти. Никога не се опитвайте да извадите от срезата режещия диск, докато още се върти, в противен случай може да последва „ритане“. Намерете причината за заклиняването и я отстранете.

d) Никога не включвайте електроинструмента отново, докато той се намира в обработваната част. Нека режещият диск достигне първо максималните си обороти, преди внимателно да продължите с рязането. В противен случай режещият диск може да заседне, да изскочи от обработваната част или да предизвика откат.

e) Когато режете плоскости или по-големи детайли, ги опрете, за да избегнете риска от откат при заклемяване на режещия диск. Големите детайли могат да се огънат от собствената си тежест. Детайлът трябва да е подпрян на две места, а именно в близост до разреза и в края му.

f) Бъдете особено внимателни при „изрязване на джобове“ в налични стени или други, невидими зони. При прерязване на газопроводи, водопроводи, електропроводи или други обекти, режещият диск може да причини откат.

#### Специални указания за безопасна работа при шлифване с шкурка

a) Не използвайте твърде големи листови шкурка, спазвайте указанията на производителя за размерите на шкурката. Лицтове шкурка, кито се подават извън подложния диск, могат да предизвикат наранявания, както и да доведат до блокиране и на шкурката или да възникване на откат.

#### Специални указания за безопасна работа при шлифване с телени четки

a) Обърнете внимание на това, че и при обикновена употреба телената четка губи частици от телта. Не претоварвайте отделните части на телта например чрез прекалено голямо налягане на притискане. Изхвърчащите частици от телта могат много лесно да попаднат в кожата например през тънки дрехи.

b) Ако се препоръчва използването на предпазен кожух, предварително се уверявайте, че телената четка не допира до него. Дисковете и чашковидните телени четки могат да увеличат диаметъра си в резултат на силата на притискане и центробежните сили.

#### ДОПЪЛНИТЕЛНИ УКАЗАНИЯ ЗА РАБОТА И БЕЗОПАСНОСТ

Винаги проверявайте бутона за заключване на шпиндела, преди да включите инструмента! След като сте използвали заключването на шпиндела, за да затегнете/разхлабите абразивния диск, е възможно бутонът да се заклепи в заключена позиция.

При шлифване на метали възниква искрене. Обърнете внимание да не бъдат застрашени хора. Поради опасност от пожар наблизо (в обсега на искрите) не бива да се намират горими материали. Да не се използва прахоулавяне.

Пазете се от летящи искри и шлифовъчен прах.

Не бържайте в зоната на опасност на работещата машина.

Стружки или отчупени парчета да не се отстраняват, докато машина работи.

Веднага изключете машината, ако се появят значителни вибрации или бъдат установени други нередности. Проверете машината за да установите причината.

При екстремални условия (напр. при гладко шлайфане на метали със супорт и шлифовъчен диск от вулканизирано влакно) по вътрешната страна на шлайфовалката може да се натрупа значително количество замърсяване.

Във вентилационните шлицы не бива да попадат метални части поради опасност от късо съединение.

ВНИМАНИЕ! Опасност от изгаряне! По време на работа дискът и работният детайл се нагорещават. Носете ръкавици, когато сменяте дисковете или докосвате работния детайл. Дръжте ръцете си далече от шлифовъчната зона през цялото време.

ВНИМАНИЕ! За да избегнете опасността от пожар, предизвикана от късо съединение, както и нараняванията и повредите на продукта, не потапяйте инструмента, сменяемата акумулаторна батерия или зарядното устройство в течности и се погрижете в уредите и акумулаторните батерии да не попадат течности. Течностите, предизвикващи корозия или провеждащи електричество, като солена вода, определени химикали, изобелващи вещества или продукти, съдържащи изобелващи вещества, могат да предизвикат късо съединение.

Не отваряйте акумулатори и зарядни устройства и ги съхранявайте само в сухи помещения. Пазете ги от влага.

Акумулатори от системата M18 да се зареждат само със зарядни устройства от системата M18 laden. Да не се зареждат акумулатори от други системи.

#### ИЗПОЛЗВАНЕ ПО ПРЕДНАЗНАЧЕНИЕ

Ъглошлайфът е предназначен за шлифване и рязане на метал, камък, бетон и керамични материали, както и за шкурена и обработване с телена четка.

При рязане използвайте защитния капак от комплекта аксесоари.

В случай на съмнение обърнете внимание на указанията на производителя на аксесоари.

Машината е подходяща само за употреба без вода.



На Ъглошлайфа могат да бъдат поставяни само подходящи шлифовъчни или режещи дискове и съответните им предпазители (за шлифване или рязане), както са посочени в раздела за техническите характеристики на уреда. Ъглошлайфът е предназначен за държане в ръка — той не може да се монтира върху фиксиращо приспособление или работна маса.

Не използвайте уреда по различен от описаните в предназначението начини.

### ОСТАТЪЧНИ РИСКОВЕ

Дори при правилна употреба, остатъчните рискове не могат да бъдат изключени. При използване могат да възникнат следните опасности, за които обслужващият трябва да внимава:

- Наранявания, причинени от вибрации. Дръжте уреда за предвидените за целта ръкохватки и ограничавайте времето на работа и експозиция.
- Шумовото натоварване може да причини слухови увреждания. Носете защита за слуха и ограничете продължителността на експозицията.
- Наранявания на очите, причинени от замърсяващи частици. Винаги носете предпазни очила, здрави дълги панталони, ръкавици и стабилни обувки.
- Вдишване на отровни прахове.

### УКАЗАНИЯ ЗА ЛИТИЕВО-ЙОННИ АКУМУЛАТОРНИ БАТЕРИИ

#### Употреба на литиево-йонни акумулаторни батерии

Акумулатори, които не са ползвани по-дълго време, преди употреба да се дозаредят.

Температура над 50°C намалява мощността на акумулатора. Да се избягва по-продължително нагряване на слънце или от отопление.

Поддържайте чисти присъединителните контакти на зарядното устройство и на акумулатора.

За оптимална продължителност на живот след употреба батериите трябва да се заредят напълно.

За възможно по-дълга продължителност на живот батериите трябва да се изваждат от уреда след зареждане.

При съхранение на батериите за повече от 30 дни:

съхранявайте батерията при прикл. 27°C и на сухо място.

Съхранявайте батерията при 30 до 50 % от заряда.

Зареждайте батерията на всеки 6 месеца.

#### Защита от претоварване при литиево-йонни акумулаторни батерии

При претоварване на батерията вследствие на голямо потребление на енергия, например изключително високи въртящи моменти, внезапно спиране или късо съединение, електрическият инструмент вибрира в продължение на 5 секунди, мига индикаторът за зареждане и електрическият инструмент се изключва сам.

За да го включите повторно, освободете превключвателя и след това включете уреда. При екстремни натоварвания батерията се нагрява значително. В този случай всички светлини на индикатора за зареждане мигат дотогава, докато батерията се охлади. След изгасване на индикатора за зареждане можете да продължите работата с уреда.

#### Превоз на литиево-йонни батерии

Литиево-йонните батерии са предмет на законовите разпоредби за превоз на опасни товари.

Превозът на тези батерии трябва да се извършва в съответствие с местните, националните и международните разпоредби и регламенти.

Потребителите могат да превозват тези батерии по пътя без допълнителни изисквания.

Превозът на литиево-йонни батерии от транспортни компании е предмет на законовите разпоредбите за превоз на опасни

товари. Подготовката на превоза и самият превоз трябва да се извършват само от обучени лица. Целият процес трябва да е под професионален надзор.

Спазвайте следните изисквания при превоз на батерии:

Уверете се, че контактите са защитени и изолирани, за да се избегне късо съединение.

Уверете се, че няма опасност от разместване на батерията в опаковката. Не превозвайте повредени батерии или такива с течове. Обърнете се към Вашата транспортна компания за допълнителни инструкции.

### УКАЗАНИЯ ЗА РАБОТА

#### Защита срещу претоварване и откат

Уредът разполага със защитна функция срещу претоварване и внезапна реакция, и спира при съответното претоварване. Изключете инструмента и после го включете отново, за да продължите да работите.

#### Плавният старт

Плавният старт, осигурен от електрониката за сигурно манипулиране с машината, предотвратява при включване появата на тласъци при задействането на машината.

При абразивни материали, които трябва да бъдат снабдени с диск с резба, трябва да се гарантира, че резбата в диска е достатъчно дълга за шпиндела.

Режещите и шлифоващите дискове винаги да се използват и съхраняват съобразно инструкциите на производителя.

При грубо шлифване и рязане да се работи винаги със защитен шлем.

Извитите дискове за шлайфане трябва да бъдат монтирани така, че повърхността им за шлайфане да не излиза извън равнината на ръба на предпазния капак.

Преди пускане на машината фланцовата гайка трябва да бъде затегната.

Винаги да се използва допълнителната ръкохватка.

Обработваният детайл трябва да бъде фиксиран здраво, ако не е достатъчно тежък, за да стои стабилно от собственото си тегло. Никога не водете детайла с ръка срещу диска.

Гайката на фланеца трябва да бъде здраво затегната преди работа с машината. Ако работният инструмент не е затегнат здраво с гайката на фланеца, има опасност, той да загуби необходимата захватна сила при спиране.

### ПОЧИСТВАНЕ

Вентилационните шлицы на машината да се поддържат винаги чисти.

### ПОДДРЪЖКА

Да се използват само аксесоари на Milwaukee и резервни части на Milwaukee. Елементи, чията подмяна не е описана, да се дадат за подмяна в сервис на Milwaukee (вижте брошурата "Гаранция и адреси на сервиси").

При необходимост можете да поискате за уреда от Вашия сервис или директно от Techtronic Industries GmbH, Max-Eyth-Straße 10, 71364 Winnenden, Germany, чертеж за в случай на експлозия, като посочите типа на машината и номер върху заводската табелка.

### СИМВОЛИ



Преди пускане на уреда в действие моля прочетете внимателно инструкцията за използване.



**ВНИМАНИЕ! ПРЕДУПРЕЖДЕНИЕ! ОПАСНОСТ**



Преди започване на каквито е да работи по машината извадете акумулатора.



Не използвайте предпазителя за операции по рязане.



Не използвайте сила.



Пръмянищ силу.



При работа с машината винаги носете предпазни очила.



Носете средство за защита на слуха.



Да се носи подходяща прахозащитна маска.



Да се носят предпазни ръкавици!



Винаги работете с две ръце.



Само за шлифване.



Само за рязане.



Обръщайте внимание на допустимата дебелина на диска.

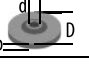
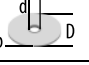
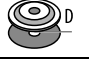



Аксесоари - Не се съдържат в обема на доставката, препоръчвано допълнение от програмата за аксесоари.



Електрическите уреди не трябва да се изхвърлят заедно с битовите отпадъци. Електрическото и електронното оборудване трябва да се събират отделно и да се предават на службите за рециклиране на отпадъците според изискванията за опазване на околната среда. Информирайте се при местните служби или при местните специализирани търговци относно местата за събиране и центровете за рециклиране на отпадъци.

	Номинална скорост на въртене
	Напрежение
	Постоянен ток
	Европейски знак за съответствие
	Британски знак за съответствие
	Украински знак за съответствие
	Евро-азиатски знак за съответствие

DATE TEHNICE	M18 FSAG115X	M18 FSAG125X
Tip	Polizor unghiular cu acumulator	Polizor unghiular cu acumulator
Număr producție	4830 49 01 XXXXXX MJJJJ	4830 56 01 XXXXXX MJJJJ
Tensiune acumulator	18 V	18 V
Turație nominală	8500 min <sup>-1</sup>	8500 min <sup>-1</sup>
Filetul axului de lucru	M14	M14
D=Diametru disc de rectificarea max. d=Ø alezajului	115 mm 22,2 mm	125 mm 22,2
 b=Grosimea discului de șlefuit max.	6 mm	6 mm
 b=Grosimea discului de tăiere max. / min.	3 mm / 1 mm	3 mm / 1 mm
 D=Diametrul discului abraziv max.	115 mm	125 mm
 D=Ø perii tip cupă max.	75 mm	75 mm
Greutate conform „EPTA procedure 01/2014” (Li-Ion 2,0 Ah ... 12,0 Ah)	2,4 ... 3,4 kg	2,4 ... 3,5 kg
Temperatură ambientală recomandată pentru funcționare	-18 ... +50 °C	
Seturi de baterii recomandate	M18B...; M18HB...	
Încărcător de baterii recomandat	M12-18...; M1418C6	
<b>Informație privind zgomotul:</b> Valori măsurate determinate conform EN 60745. Nivelul de zgomot evaluat cu A al aparatului este tipic de:		
Nivelul presiunii sonore / Nesiguranță K	82,7 dB(A) / 3 dB(A)	82,7 dB(A) / 3 dB(A)
Nivelul sunetului / Nesiguranță K	93,7 dB(A) / 3 dB(A)	93,7 dB(A) / 3 dB(A)
<b>Purtați căști de protecție</b>		
<b>Informații privind vibrațiile:</b> Valorile totale de oscilație (suma vectorială pe trei direcții determinate conform normei EN 60745.		
Valoarea emisiei de oscilații a <sub>n</sub> / Nesiguranță K		
Șlefuirea suprafețelor	4,8 m/s <sup>2</sup> / 1,5 m/s <sup>2</sup>	5,5 m/s <sup>2</sup> / 1,5 m/s <sup>2</sup>
Șlefuirea cu foaie de șlefuit	1,1 m/s <sup>2</sup> / 1,5 m/s <sup>2</sup>	1,9 m/s <sup>2</sup> / 1,5 m/s <sup>2</sup>
La alte utilizări, ca de ex. retezatul cu mașina de șlefuit sau șlefuitul cu peria de sârmă de oțel, valorile vibrațiilor pot fi diferite!		

## AVERTISMENT!

Nivelul vibrației și emisiei de zgomot indicat în această fișă informativă a fost măsurat în conformitate cu o metodă standard de testare specificată în EN 60745 și se poate utiliza pentru a compara dispozitivele între ele. Acesta se poate utiliza și într-o evaluare preliminară a expunerii.

Nivelul declarat al vibrației și emisiei sonore reprezintă principalele aplicații ale dispozitivului. Cu toate acestea, dacă dispozitivul este utilizat pentru aplicații diferite, cu accesorii diferite sau întreținute necorespunzător, emisia de vibrații și zgomote poate diferi. Acest lucru poate crește semnificativ nivelul expunerii pe întreaga perioadă de lucru.

O estimare a nivelului de expunere la vibrații și zgomot ar trebui să țină cont și de momentele în care dispozitivul este oprit sau când funcționează, dar nu realizează de fapt nimic lucrare. Acest lucru poate reduce semnificativ nivelul expunerii pe întreaga perioadă de lucru.

Identificați măsuri de siguranță suplimentare pentru a proteja operatorul de efectele vibrațiilor și/sau zgomotului, cum ar fi: întreținerea dispozitivului și a accesoriilor, menținerea caldă a mâinilor, organizarea modelelor de lucru.

**AVERTISMENT!** Citiți toate avizele de siguranță și indicațiile. Nerespectarea indicațiilor de avertizare și a instrucțiunilor poate provoca electrocutare, incendii și/sau răni grave.

**Păstrați toate indicațiile de avertizare și instrucțiunile în vederea utilizărilor viitoare.**

## INSTRUCȚIUNI DE SIGURANȚĂ PENTRU POLIZORUL UNGHILULAR

**Avertismente comune pentru șlefuire, șlefuire cu hârtie abrazivă, lucrul cu perile de sârmă, lustruire și tăiere:**

**a) Această sculă electrică se va folosi ca polizor, perie de sârmă și mașină specială de retezat cu disc abraziv. Respectați toate avertismentele, instrucțiunile, reprezentările și datele primite împreună cu scula electrică.** În cazul în care nu veți respecta următoarele instrucțiuni, se poate ajunge la electrocutare, incendii și/sau răni grave.

**b) Această sculă electrică nu este adecvată pentru lustruire.** Utilizarea sculei electrice la operații pentru care nu este concepută poate cauza pericole și accidentări.

**c) Nu folosiți dispozitive de lucru care nu sunt prevăzute și recomandate în mod special de către producător pentru această sculă electrică.** Faptul în sine că dispozitivul respectiv poate fi montat pe scula dumneavoastră electrică nu garantează în niciun caz utilizarea lui sigură.

**d) Numărul de rotații admis pentru elementele de montat în aparat, trebuie să fie la fel de mare ca numărul de rotații înscris pe acesta.** O rotire mai rapidă decât cea admisă le poate sparge sau azvîrii din aparat.

**e) Diametrul exterior și grosimea dispozitivului de lucru trebuie să corespundă datelor dimensionale ale sculei dumneavoastră electrice.** Dispozitivele de lucru greșit dimensionate nu pot fi protejate sau controlate în suficientă măsură.

**f) Filetul accesoriilor trebuie să corespundă cu filetul axului mașinii de șlefuit. La accesoriile care se prind cu flanșă, trebuie să se potrivească gaura pentru dornul de prindere din accesoriu cu diametrul flanșei de localizare.** Accesoriile care nu se potrivesc pe dornul de montaj al mașinii se rotește excentric, vibrează exagerat de mult și pot să ducă la pierderea controlului asupra sculei.

**g) Nu folosiți dispozitive de lucru deteriorate. Înainte de fiecare utilizare controlați dacă dispozitivele de lucru ca discurile de șlefuit nu sunt sparte și fisurate, dacă discurile abrazive nu sunt fisurate, uzate sau foarte tocite, dacă perile de sârmă nu prezintă fire desprinse sau rupte. Dacă scula electrică sau dispozitivul de lucru cade pe jos, verificați dacă nu s-a deteriorat sau folosiți un dispozitiv de lucru nedeteriorat. După ce ați controlat și montat dispozitivul de lucru, țineți persoanele aflate în preajmă în afara planului de rotație al dispozitivului de lucru și lăsați scula electrică să funcționeze un minut la turația nominală. De cele mai multe ori, dispozitivele de lucru deteriorate se rup în această perioadă de probă.**

**h) Purtați echipament personal de protecție. În funcție de utilizare, purtați o protecție completă a feței, protecție pentru ochi sau ochelari de protecție. Dacă este cazul, purtați mască de protecție împotriva prafului, protecție auditivă, mănuși de protecție sau șorț special care să vă ferească de micile așchii și particule de material. Ochi trebuie protejați de corpurile străine aflate în zbor, apărute în cursul diferitelor aplicații. Masca de protecție împotriva prafului sau masca de protecție a respirației trebuie să filtreze praful degajat în timpul utilizării. Dacă sunteți expuși timp îndelungat zgomotului puternic, vă puteți pierde auzul.**

**i) Aveți grijă ca celelalte persoane să păstreze o distanță sigură față de sectorul dumneavoastră de lucru. Oricine pătrunde în sectorul de lucru trebuie să poarte echipament personal de protecție. Fragmente din piesa de lucru sau din dispozitivele rupte pot zbura necontrolat și provoca răni chiar în afara sectorului direct de lucru.**

**j) Țineți aparatul de mânerle izolate când executați lucrări la care scula tăietoare poate nimeri peste conductori electrici acunși. Intrarea în contact a sculei tăietoare cu o linie electrică prin care circulă curent poate pune sub tensiune și componente metalice ale aparatului și să ducă la electrocutare.**

**k) Nu lăsați niciodată aparatul din mână, atât timp cât accesorii de lucru nu s-a oprit complet. Dispozitivul de lucru care se rotește poate ajunge în contact cu suprafața de sprijin, fapt care va poate face să pierdeți controlul asupra sculei electrice.**

**l) Nu lăsați scula electrică să funcționeze în timp ce o transportați. În urma unui contact accidental cu dispozitivul de lucru care se rotește, acesta vă poate prinde îmbrăcămintea și chiar pătrunde în corpul dumneavoastră.**

**m) Curățați regulat fanțele de aerisire ale sculei dumneavoastră electrice. Ventilatorul motorului atrage praf în carcasa iar acumularea puternică de pulberi metalice poate provoca pericole electrice.**

**n) Nu folosiți scula electrică în apropierea materialelor inflamabile. Scanteile pot duce la aprinderea acestor materiale.**

**o) Nu folosiți dispozitive de lucru care necesită agenți de răcire lichizi. Folosirea apei sau a altor agenți de răcire lichizi poate duce la electrocutare.**

## Recul și avertismente corespunzătoare

Reculul este reacția bruscă apărută la agățarea sau blocarea unui dispozitiv de lucru care se rotește, cum ar fi un disc de șlefuit, un disc abraziv, o perie de sârmă, etc. Agățarea sau blocarea duce la oprirea bruscă a dispozitivului de lucru care se rotește. Aceasta face, ca scula electrică necontrolată să fie accelerată în punctul de blocare, în sens contrar direcției de rotație a dispozitivului de lucru.

Dacă, de exemplu, un disc de șlefuit se agață sau se blochează în piesa de lucru, marginea discului de șlefuit care penetrează direct piesa de lucru se poate agață în aceasta și duce astfel la smulgerea discului de șlefuit sau poate provoca recul. Discul de șlefuit se va deplasa către operator sau în sens opus acestuia, în funcție de direcția de rotație a discului în punctul de blocare. În această situație discurile de șlefuit se pot chiar rupe.

Un recul este consecința utilizării greșite sau defectuoase a sculei electrice. El poate fi împiedicat prin măsuri preventive adecvate, precum cele descrise în continuare.

**a) Țineți bine scula electrică și aduceți-vă corpul și brațele într-o poziție în care să puteți controla forțele de recul. Folosiți întotdeauna o mâner suplimentar, în caz că acesta există, pentru a avea un control maxim asupra forțelor de recul sau a momentelor de reacție la turații înalte. Operatorul poate stăpâni forțele de recul și de reacție prin măsuri preventive adecvate.**

**b) Nu apropiați niciodată mâna de dispozitivele de lucru aflate în mișcare de rotație. Accesoriul poate recula în mâna dvs.**

**c) Evitați să staționați cu corpul în zona de mișcare a sculei electrice în caz de recul. Reculul proiectează scula electrică într-o direcție opusă mișcării discului de șlefuit din punctul de blocare.**

**d) Lucrați extrem de atent în zona colțurilor, muchiilor ascuțite, etc. Împiedicați ricoșarea dispozitivului de lucru pe piesa de lucru și blocarea acestuia. Dispozitivul de lucru aflat în mișcare de rotație are tendința să se blocheze în colțuri, pe muchii ascuțite sau când ricoșează în urma izbirii. Aceasta duce la pierderea controlului sau la recul.**

**e) Nu utilizați discuri cu lanț sau discuri dințate. Asemenea accesorii de lucru provoacă des recul sau pierderea controlului asupra aparatului.**

## Avertismente speciale privind șlefuirea și tăierea

**a) Folosiți numai corpuri abrazive admise pentru scula dumneavoastră electrică și o apărătoare de protecție prevăzută pentru aceste corpuri abrazive. Corpurile abrazive care nu sunt prevăzute pentru această sculă electrică nu pot fi acoperite și protejate suficient, fiind nesigure.**

**b) Discurile de șlefuit cu centrul deplasat trebuie montate astfel încât suprafața abrazivă să nu treacă peste marginea planului carcasei de protecție. Dacă discul este montat incorect și depășește planul carcasei de protecție, el nu poate fi protejat în mod corespunzător.**

**c) Folosiți întotdeauna apărătoarea de protecție prevăzută pentru corpul abraziv întrebuitat. Apărătoarea de protecție trebuie fixată sigur pe scula electrică și astfel ajustată încât să atingă un grad maxim de siguranță în exploatare, adică numai o porțiune extrem de mică a corpului abraziv să rămână descoperită în partea dinspre operator. Apărătoarea ajută la protejarea operatorului împotriva fragmentelor rupte de disc, contactului accidental cu discul și a scânteilor care pot da foc îmbrăcămintei.**

**d) Corpurile abrazive trebuie folosite numai pentru posibilitățile de utilizare recomandate. De exemplu: nu șlefuiți cu partea laterală a unui disc de tăiere. Discurile de tăiere sunt destinate îndepărtării de material cu marginea discului. Exercițiul unei forțe laterale asupra acestui corp abraziv poate duce la ruperea sa.**

**e) Folosiți întotdeauna flanșe de prindere nedeteriorate având dimensiuni și forme corespunzătoare discului de șlefuit ales de dumneavoastră. Flanșele adecvate sprijină discul de șlefuit diminuând astfel pericolul ruperii acestuia. Flanșele pentru discuri de tăiere pot fi diferite față de flanșele pentru alte discuri de șlefuit.**

**f) Nu întrebuințați discuri de șlefuit uzate provenind de la scule electrice mai mari. Discurile de șlefuit pentru sculele electrice mai mari nu sunt concepute pentru turațiile mai ridicate ale sculelor electrice mai mici și se pot rupe.**

## Alte avertismente speciale privind tăierea

**a) Evitați blocarea discului de tăiere sau o apăsare prea puternică. Nu executați tăieri exagerat de adânci. O supraîncărcare a discului de tăiere mărește solicitarea acestuia și tendința sa de a devia, de a se răsuci în piesa de lucru sau de a se bloca, apărând astfel posibilitatea unui recul sau a ruperii corpului abraziv.**

**b) Evitați zona din față și din spatele discului de tăiere care se rotește. Dacă deplasați discul de tăiere în piesa de lucru în direcție opusă dumneavoastră, în caz de recul, scula electrică împreună cu discul care se rotește pot fi proiectate direct spre dumneavoastră.**

**c) Dacă discul de tăiere se blochează sau dacă întrerupeți lucrul, deconectați scula electrică și nu o mișcați până când discul se oprește complet. Nu încercați niciodată să extrageți discul de tăiere din tăietură, altfel se poate produce un recul. Stabiliți și îndepărtați cauza blocării discului.**

**d) Nu reporniți niciodată scula electrică cât timp aceasta se mai află încă în piesa de lucru. Lăsați discul de tăiere să atingă turația nominală și numai după aceea continuați să tăiați cu precauție.** În caz contrar discul se poate agăța, sări afară din piesa de lucru sau provoca recul.

**e) Sprijiniți plăcile sau piesele de lucru mari pentru a diminua riscul reculului cauzat de blocarea discului de tăiere.** Piesele mari se pot încovoia sub propria greutate. De aceea, piesa de lucru trebuie sprijinită pe ambele părți, atât în apropierea liniei de tăiere cât și pe margine.

**f) Fiți foarte atenți la efectuarea unor "tăieturii sub formă de buzunar" în pereții existenți sau în alte domenii greu de monitorizate cu vedere.** La penetrarea în sectorul vizat, discul de tăiere poate cauza recul dacă nimereste în conducte de gaz sau de apă, conductori electrici sau alte obiecte.

**Avertismente speciale privind șlefuirea cu hârtie abrazivă:**

**a) Nu întrebuințați foi abrazive supradimensionate și respectați indicațiile fabricantului privitoare la dimensiunile foilor abrazive.** Foile abrazive care depășesc marginile discului abraziv, pot cauza răniri precum și agățarea, ruperea foilor abrazive, sau pot duce la recul.

**Avertismente speciale privind lucrul cu perile de sârmă:**

**a) Se va avea în vedere faptul că și în timpul unei utilizări normale din peria de sârmă cad bucăți de sârmă. Sârma nu va fi suprasolicitată prin intermediul unei presiuni de apăsare prea mari.** Bucăți de sârmă desprinse, existente în atmosferă pot intra cu ușurință prin îmbrăcămintea subțire și/sau prin piele.

**b) Dacă se recomandă o apărătoare de protecție, împiedicați contactul dintre apărătoarea de protecție și peria de sârmă.** Discurile-perie și perile-oală își pot mări diametrul sub acțiunea presiunii de apăsare și a forțelor centrifuge.

## INSTRUCȚIUNI SUPLEMENTARE DE SIGURANȚĂ ȘI DE LUCRU

Verificați întotdeauna complet butonul de blocare a axului înainte de a porni dispozitivul! După utilizarea sistemului de blocare a axului pentru strângerea/slăbirea discului abraziv, este posibil ca butonul să rămână blocat în poziția de blocare.

Când se șlefuieste metal, se produc scântei zburătoare. Aveți grijă că nici o persoană să nu fie pusă în pericol. Datorită pericolului de incendiu, nici un material combustibil nu trebuie să fie amplasat în vecinătate (în zona de zbor a scânteiilor)

Evitați faptul ca scântelele zburătoare și praful de le șlefuit să atingă corpul.

Nu intrați niciodată în zona de pericol a plăcii când este în mișcare. Rumeгуșul și spanul nu trebuie îndepărtate în timpul funcționării mașinii.

Opriți imediat mașina în caz de vibrații puternice sau dacă apar alte defecțiuni. Verificați mașina pentru depistarea cauzei.

În condiții extreme (de ex., metale cu șlefuire netedă cu boltă și disc de șlefuit fibre vulcanizate), pe interiorul polizorului se poate acumula o contaminare semnificativă.

Nu lăsați nici o piesă metalică să intre în fantele de aerisire - pericol de scurt circuit.

**AVERTISMENT!** Pericol de ardere! Discul și piesa de prelucrat se vor încinge în timpul utilizării. Utilizați mănuși atunci când înlocuiți discul sau atingeți piesa de prelucrat. Mențineți în permanență mâinile la distanță față de zona de polizare.

**AVERTISMENT!** Pentru a reduce pericolul unui incendiu și evitarea rănilor sau deteriorarea produsului în urma unui scurtcircuit nu imersați scula, acumulatorul de schimb sau încărcătorul în lichide și asigurați-vă să nu pătrundă lichide în aparate și acumulatori. Lichidele corosive sau cu conductibilitate, precum apa sărată, anumite substanțe chimice și înalbitori sau produse ce conțin înalbitori, pot provoca un scurtcircuit.

Nu deschideți niciodată acumulatorii și încărcătoarele și paștrați-le numai în încăperi uscate. Paștrați-le întotdeauna uscate.

Folosiți numai încărcătoare System M18 pentru încărcarea acumulatorilor System M18. Nu folosiți acumulatori din alte sisteme.

## CONDIȚII DE UTILIZARE SPECIFICATE

Polizorul unghiul este destinat polizării și tăierii metalului, pietrei, cimentului și materialelor ceramice, precum și sablării și perierii cu peri de sârmă.

Pentru tăiere, utilizați apărătoarea de tăiere din cadrul paletei de accesorii.

În caz de dubiu, țineți cont de indicațiile fabricantilor de accesorii.

Mașina electrică este indicată doar pentru prelucrare uscată.

Pe polizor unghiular ar trebuie montate numai discuri de polizare sau de tăiere corespunzătoare și găzile aferente adecvate (gardă de polizare sau gardă de tăiere), după cum este descris în secțiunea cu specificații a prezentului manual. Polizorul unghiular este destinat pentru utilizarea prin țineri în mână; nu este conceput pentru a fi montat pe un sistem de fixare sau pe un banc de lucru.

Nu utilizați produsul în niciun alt mod decât cel specificat în utilizare prevăzută.

## RISCURI REZIDUALE

Excluderea tuturor pericolelor reziduale nu este posibilă chiar și în condiții de utilizare corectă a mașinii. În timpul utilizării pot apărea următoarele pericole, de care utilizatorul ar trebui să țină seama:

- Accidentări provocate de vibrații. Țineți aparatul de mânerle prevăzute în acest scop și reduceți timpul de lucru și de expunere.
- Poluarea fonică poate duce la vătămarea auzului. Purtați căști antifonice și reduceți durata expunerii.
- Afecțiuni oculare cauzate de particulele de impurități. Purtați întotdeauna ochelari de protecție, pantaloni lungi rezistenți, mănuși și încălțăminte robustă.
- Inhalare de pulberi toxice.

## INDICAȚII PENTRU ACUMULATORII LI-ION

### Utilizarea acumulatorilor Li-Ion

Acumulatorii care nu au fost utilizați o perioadă de timp trebuie reîncărcați înainte de utilizare

Temperatura mai mare de 50°C (122°F) reduce performanța acumulatorului. Evitați expunerea prelungită la căldură sau radiație solară (ris de supraîncălzire)

Contactele încărcătoarelor și acumulatorilor trebuie păstrate curate.

În scopul optimizării duratei de funcționare, bateriile trebuie reîncărcate complet după utilizare.

Pentru o durată de viață cât mai lungă, acumulatorii ar trebui scoși din încărcător după încărcare.

La depozitarea acumulatorilor mai mult de 30 zile:

Acumulatorii se depozitează la cca. 27°C și la loc uscat.

Acumulatorii se depozitează la nivelul de încărcare de cca. 30%-50%.

Acumulatorii se încarcă din nou la fiecare 6 luni.

### Protecție la suprasarcină la acumulatorii Li-Ion

În cazul unei suprasolicitări a acumulatorului datorită unui consum excesiv de curent electric, de ex. datorită unor momente de turație extrem de înalte, a unei opriri subite sau a unui scurt circuit, scula electrică trepidează timp de 5 secunde, indicația stării de încărcare pălpăie și scula electrică se deconectează de la sine.

Pentru reconectare dați drumul întrerupătorului și conectați din nou. În cazul unor sarcini extreme, acumulatorul se încinge prea tare. În acest caz toate lămpile indicației stării de încărcare pălpăie până când acumulatorul s-a răcit. După ce indicația stării de încărcare s-a stins se poate lucra mai departe.

## Transportul acumulatorilor cu ioni de litiu

Acumulatorii cu ioni de litiu cad sub incidența prescripțiilor legale pentru transportul de mărfuri periculoase.

Transportul acestor acumulatori trebuie să se efectueze cu respectarea prescripțiilor și reglementărilor pe plan local, național și internațional.

Consumatorilor le este permis transportul rutier nerestricționat al acestui tip de acumulatori.

Transportul comercial al acumulatorilor cu ioni de litiu prin intermediul firmelor de expediție și transport este supus reglementărilor transportului de mărfuri periculoase. Pregătirile pentru expediție și transport au voie să fie efectuate numai de către personal instruit corespunzător. Întregul proces trebuie asistat în mod competent.

Următoarele puncte trebuie avute în vedere la transportul acumulatorilor:

Pentru a se evita scurtcircuite, asigurați-vă de faptul că sunt protejate și izolate contactele.

Aveți grijă ca pachetul de acumulatori să nu poată aluneca în altă poziție în interiorul ambalajului său. Este interzis transportarea unor acumulatori deteriorați sau care pierd lichid. Pentru indicații suplimentare adresați-vă firmei de expediție și transport cu care colaborați.

## INDICAȚII DE LUCRU

### Protecție împotriva suprasolicitării și reculului

Mașina este dotată cu un sistem de protecție la suprasolicitare și cu un sistem anti-recul și se oprește în cazul unei suprasolicitări corespunzătoare. Opriți dispozitivul electric și apoi reporniți dispozitivul electric pentru a continua lucrul.

### Moale de pornire

Pornirea electronică lină pentru economie previne funcționarea sacadata a mașinii.

Pentru sculele care se intenționează a fi dotate cu roți cu orificiu filetat, asigurați-vă că filetul roții este destul de lung pentru a accepta lungimea axului.

Întotdeauna utilizați și păștrați discurile de șlefuire și de tăiere numai în conformitate cu instrucțiunile producătorului.

Întotdeauna utilizați apărătoarea de protecție când se degroșează și se separă.

Discurile de șlefuit cu centrul depresat trebuie montate astfel încât suprafața abrazivă să nu treacă peste marginea planului carcasei de protecție.

Piulița de reglare trebuie să fie strânsă înainte de începerea lucrului cu această mașina.

Utilizați întotdeauna mânerul auxiliar.

Piesa de prelucrat trebuie fixată dacă nu este suficient de grea pentru a fi stabilă. Nu îndreptați niciodată piesa de prelucrat către discul polizorului cu mâna.

Piulița cu flanșă trebuie să fie bine strânsă înainte de a pune mașina în funcțiune. Dacă scula nu este bine strânsă cu piulița cu flanșă, este posibil ca la frânare scula să-și piardă forța de fixare necesară.

## CURĂȚARE

Fantele de aerisire ale mașinii trebuie să fie menținute libere tot timpul





## ÎNȚREȚINERE

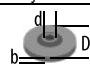
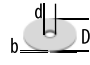


Utilizați numai accesorii și piese de schimb Milwaukee. Dacă unele din componente care nu au fost descrise trebuie înlocuite, vă rugăm contactați unul din agenții de service Milwaukee (vezi lista noastră pentru service / garanți

Dacă este necesară, se poate comanda o imagine descompusă a sculei. Vă rugăm menționați numărul art. Precum și tipul mașinii tipărit pe etichetă și comandați desenul la agenții de service locali sau direct la Techtronic Industries GmbH, Max-Eyth-Straße 10, 71364 Winnenden, Germany.

## SIMBOLURI

	Va rugăm citiți cu atenție instrucțiunile înainte de pornirea mașinii
	PERICOL! AVERTIZARE! ATENȚIE!
	Îndepărtați acumulatorul înainte de începerea lucrului pe mașina
	Nu utilizați dispozitivul de protecție pentru operații de debitare.
	A nu se aplica forța.
	Aplicați forța.
	Purtați întotdeauna ochelari de protecție când utilizați mașina.
	Purtați aparatoare de urechi.
	Purtați o mască de protecție corespunzătoare împotriva prafului.
	Purtați mănuși de protecție!
	Operați întotdeauna cu două mâini.
	Doar pentru lucrări de șlefuit.
	Doar pentru lucrări de tăiere.
	Aveți grijă la grosimea permisibilă a discului.
	Accesorii - Nu este inclus în echipamentul standard, disponibil ca accesoriu
	Aruncarea aparatelor electrice la gunoierul menajer este interzisă. Echipamentele electrice și electronice trebuie colectate separat și predate la un centru de reciclare și eliminare a deșeurilor, pentru a fi eliminate ecologic. Interesați-vă la autoritățile locale sau la comerciantul dvs. de specialitate unde se află centre de reciclare și puncte de colectare.
$n_0$	Turație nominală
V	Tensiune
	Curent continuu

	Marcă de conformitate europeană
	Marcă de conformitate britanică
	Marcă de conformitate ucraineană
	Marcă de conformitate eurasiatică

ТЕХНИЧКИ ПОДАТОЦИ	M18 FSAG115X	M18 FSAG125X
Тип на дизајн	Аголна брусилка на батерии	Аголна брусилка на батерии
Произведен број	4830 49 01 XXXXXX MJJJ	4830 56 01 XXXXXX MJJJ
Волтажа на батеријата	18 V	18 V
Номинална брзина	8500 min <sup>-1</sup>	8500 min <sup>-1</sup>
Срце на работната оска	M14	M14
D=Дијаметар на дискот за глодање макс.	115 mm	125 mm
d=бушење- $\varnothing$	22,2 mm	22,2
 b=Дебелина на стружниот диск макс.	6 mm	6 mm
 b=Дебелина на плочата за сечење макс. / мин.	3 mm / 1 mm	3 mm / 1 mm
 D=Дијаметар на брусна плоча макс.	115 mm	125 mm
 D=Лончести четки- $\varnothing$ макс.	75 mm	75 mm
Тежина според ЕПТА-процедурата 01/2014 (Li-Ion 2,0 Ah ... 12,0 Ah)	2,4 ... 3,4 kg	2,4 ... 3,5 kg
Препорачана температура на околината за работа	-18 ... +50 °C	
Препорачани комплекти акумулаторски батерии	M18B...; M18HB...	
Препорачани полначи	M12-18...; M1418C6	
<b>Информации за бучавата:</b> Измерените вредности се одредени согласно стандардот EN 60745. А-оценетото ниво на бучава на апаратот типично изнесува:	82,7 dB(A) / 3 dB(A)	82,7 dB(A) / 3 dB(A)
Ниво на звучен притисок / Несигурност K	93,7 dB(A) / 3 dB(A)	93,7 dB(A) / 3 dB(A)
Ниво на јачина на звук / Несигурност K		
<b>Носте штитник за уши.</b>		
<b>Информации за вибрации:</b> Вкупни вибрациски вредности (векторски збир на трите насоки) пресметани согласно EN 60745.		
Вибрациска емисиона вредност a <sub>v</sub> / Несигурност K		
Површинско брусење	4,8 m/s <sup>2</sup> / 1,5 m/s <sup>2</sup>	5,5 m/s <sup>2</sup> / 1,5 m/s <sup>2</sup>
Стружење со лист за стружење	1,1 m/s <sup>2</sup> / 1,5 m/s <sup>2</sup>	1,9 m/s <sup>2</sup> / 1,5 m/s <sup>2</sup>
Кај други апликации, како на пример брусење со делење или брусење со четката со челична жица можат да се појават други вибрациски вредности!		


### ПРЕДУПРЕДУВАЊЕ!

Нивото на вибрации и емисија на бучава дадени во овој информативен лист се измерени во согласност со стандардизиран метод на тестирање даден во EN 60745 и може да се користат за споредување на еден електричен алат со друг. Тие исто така може да се користат при првична проценка на изложеност.

Наведеното ниво на вибрации и емисија на бучава ја претставува главната примена на алатот. Сепак ако алатот се користи за поинакви примени, со поинаков прибор или лошо се одржува, вибрациите и емисијата на бучава може да се разликуваат. Тоа може значително да го зголеми нивото на изложеност преку целиот работен период.

Проценка на нивото на изложеност на вибрации и бучава треба исто така да се земе предвид кога е исклучен алатот или кога е вклучен, но не врши никаква работа. Тоа може значително да го намали нивото на изложеност преку целиот работен период.

Утврдете дополнителни безбедносни мерки за да се заштити операторот од ефектите на вибрациите и/или бучавата како на пр.: одржувајте го алатот и приборот, рацете нека ви бидат топли, организација на работните шеми.

** ПРЕДУПРЕДУВАЊЕ!** Прочитајте ги сите безбедносни упатства и инструкции. Заборавање на почитувањето на безбедносните упатства и инструкции можат да предизвикаат електричен удар, пожар и/или тешки повреди.

**Сочувајте ги сите безбедносни упатства и инструкции за во иднина.**

### БЕБЕДНОСНИ УПАТСТВА ЗА АГОЛНА СТРУГАЛКА

**Заеднички безбедносни упатства за мазнење, мазнење со рапава хартија, работа со жичани четки, полирање и делење:**

**a) Овој електро-алат треба да се употребува како шлајферица, шлајферица со хартија за шмирглање, четка со жица и машина за брусење со делење. Почитувајте ги сите безбедносни упатства, упатства за работа, прикази и податоци што ги добивате заедно со електричниот алат.** Доколку не ги почитувате следните упатства, може да дојде до електричен удар, до пожар и/или до тешки повреди.

**b) Овој електро-алат не е наменет за рапава хартија и за полирање.** Сепакви употреби, за кои овој алат не е предвиден, можат да предизвикаат загрозувања и повреди.

**c) Не употребувајте прибор што не е предвиден и препорачан од производителот специјално за овој електро-алат.** Доколку извесен прибор можете да го прицврстите на вашиот електричен алат, тоа не претставува гаранција за сигурно употреба.

d) Бројот на вртежи на алатот, којшто се употребува, мора да биде нај-малку толку висок како и бројот на вртежите на вашиот електро-алат. Додавањето, којшто се врти побрзу, може да се скриши и да излети.

e) Надворешниот дијаметар и дебелината на приборот мора да соодветствуваат со податоците за димензиите на вашиот електро-алат. Приборите со несоодветна димензија не можат да бидат соодветно заштитени или контролирани.

f) Навоите на деловите од приборот мора да се совпаѓаат со навојот на осовината за брусење. Кај деловите од приборот кои што се приспојуваат, бушењето за трнот за натегнување во делот од приборот мора да се совпаѓа со пресекот на фланшот за локализирање. Делови од приборот кои што не пасуваат на монтажниот трн на апаратот, работат ексцентрично, вибрираат прекумерно силно и можат да доведат до загуба на контролната врз орудие.

g) Не употребувајте оштетен прибор. Пред секоја употреба извршете контрола, како на пример на дисковите за брусење по однос на расцепи и пукнатини, на подножјата за брусење по однос на пукнатини, избаност или голема искривеност, на четките со жици по однос на лабави или скршени жици. Ако електро-алатот или приборот паднат, проверете, дали тие се оштетени или употребете неоштетен прибор. Ако приборот сте го провериле и го употребувате, тогаш вие и лицата, кои се наоѓаат во близина, треба да бидете вон доменот на ротирачкиот прибор и оставете го приборот да работи една минута со максимален број на вртежи. Оштетениот прибор најчесто се крши во овој тест-период.

h) Носете опрема за лична заштита. Зависно од употребата, користете целосна визуелна заштита, заштита за очите или заштитни очила. Доколку е потребно, носете маска за заштита од прашина, заштита за ушите, заштитни ракавици или специјална престилка, со која се заштитувате од ситни честички од шлајфувањето и од материјалот. Очите треба да бидат заштитени од страни тела што се разлетуваат наоколу, а кои настануваат при различни употреби. Заштита маска од прашина и за дишење мора да ја филтрираат прашината што се создава при работата. Доколку сте подолго време изложени на гласна бучава, тоа може да предизвика губење на слухот.

i) Кај лицата што стојат во близина внимавајте на тоа да се почитува безбедно растојание од вашиот делокруг на работа. Секој што ќе пристапи во делокругот на работа, мора да носи опрема за лична заштита. Може да се разлетаат парчиња од работниот материјал или од скршен прибор и да предизвикаат повреди, исто така и надвор од директниот делокруг на работа.

j) Држете го електричниот алат за издадените површини при изведување на операции при кои алатот за сечење можат да дојдат во контакт со скриени жици. Контакт со жица под напон исто така ќе направи проводници од металните делови и оној кој ракува со алатот ќе доживее струен удар.

k) Никогаш не го оставајте електро-орудието око орудие за применување не е дојдено во потполно мирување. Електро-алатот што се врти може да дојде во контакт со површината, на којшто се остава, а на тој начин можете да ја изгубите контролата над електро-алатот.

l) Не оставајте го електро-алатот да работи додека го носите. Вашата облека може да биде закачена преку случаен контакт со приборот што се врти, при што тој може да навлезе во вашето тело.

m) Редовно чистете го отворот за проветрување на вашиот електро-алат. Вентилаторот на моторот влече прашина во куќиштето, а големо насобирање на метална прашина може да предизвика електрични опасности.

n) Не употребувајте го електро-алатот во близина на материјали што горат. Таквите материјали можат да се запалат од искри.

o) Не употребувајте прибор, за којшто се потребни течни средства за ладење. Употребата на вода или на други течни средства за ладење може да доведе до електричен удар.

## Повратен удар и референтни безбедносни упатства

Повратниот удар претставува неочекувана реакција како последица на заглавен или блокиран прибор што се врти, како на диск за брусење, подножје за брусење, четка со жица итн. Заглавувањето или блокирањето доведува до неодоливо стопирање на ротирачкиот прибор. На тој начин неконтролираниот електро-алат се забрзува во спротивна насока од насоката на вртење на приборот во точката на спојување.

Доколку, на пример, диск за брусење е заглавен или блокиран во материјалот, работ на дискот за брусење што навлегува во материјалот, може да се закачи и на тој начин да дојде до излегување на дискот или да се предизвика повратен удар. Во таков случај дискот за брусење се движи или кон операторот или настрана од него, зависно од насоката на вртење на дискот во точката на спојување. Притоа дисковите за брусење можат исто така и да се скршат.

Повратен удар претставува последица од погрешна или неисправна употреба на електро-алатот. Тој може да биде избегнат со соодветни мерки на претпазливост, како што се опишани подолу.

a) Држете го електро-алатот цврсто и поставете ги вашето тело и вашите раце во позиција, со која ќе можете да дадете отпор на силите од повратниот удар. Секогаш употребувајте ја додатната рачка, доколку постои, за да можете да имате максимална можна контрола над силите од повратниот удар или на моментите на реакција при пуштање во работа. Операторот може да ги контролира силите на повратниот удар и реакционите сили со преземање соодветни мерки на претпазливост.

b) Никогаш не поставувајте ја вашата рака во близина на прибор што се врти. При повратен удар, приборот може да ви помине преку раката.

c) Избегнувајте го со вашето тело местото, во кое електро-алатот се движи во случај на повратен удар. Повратниот удар го води електро-алатот во спротивна насока од насоката на движење на дискот за брусење на местото за спојување.

d) Работете особено внимателно кај агли, остри рабови итн. Спречувајте ситуации, во кои приборот се одбива од и заглавува во материјалот за обработка. Кај агли, остри рабови или во случај на одбивање ротирачкиот прибор е склон кон заглавување. Тоа предизвикува губење на контролата или повратен удар.

e) Не употребувајте лист за пилење со ланци или запчаници. Таквите орудија за примена честопати предизвикуваат повратен удар или губење на контролата врз електро-орудието.

## Специјални безбедносни упатства за шлајфување и шлајфување со делење

a) Употребувајте ги исклучително алатите за брусење што се одобрени за вашиот електро-алат како и заштитната капа што е предвидена за таквите алати за брусење. Алати за брусење, коишто не се предвидени за електро-алатот, не можат да бидат доволно заштитени и се несигурни.

b) На косо сечени листови за стружење мора да бидат монтирани на тој начин што нивната површина за стружење нема да излегува надвор од нивото на работ на заштитната хауба. Нестручно монтиран диск за стружење кој што излегува надвор од нивото на работ на заштитната хауба не може да биде доволно заштитен.

c) Заштитната капа мора да биде сигурно поставена на електро-алатот и да биде така нагодена, што ќе се постигне максимално ниво на безбедност, тоа значи најмал дел од алатот за брусење да е насочен кон операторот. Заштитникот помага да се заштити операторот од скршени парчиња од дискот, случаен контакт со дискот и искри кои би можеле да ја запалат облеката.

d) Телата за брусење смеат да се употребуваат само за препорачаните можности за употреба. На пример: никогаш не брусење со страничната површина од диск за делење. Дисковите за делење се наменети за отстранување на материјал со работ на дискот. Дејството на странична сила врз овие тела за брусење може да ги скрши истите.

e) Секогаш употребувајте за дисковите за брусење што сте ги одбрале неоштетени фланши за стегање, со исправна големина и форма. Соодветните фланши го заштитуваат дискот за брусење и на тој начин ја намалуваат опасноста од кршење на дискот за брусење. Фланшите за дискови за делење можат да се разликуваат од фланшите за други дискови за брусење.

f) Не употребувајте искористени дискови за брусење од поголеми електро-алати. Дисковите за брусење за поголеми електро-алати не се погодни за повисоките броеви на вртежи кај помалите електро-алати и можат да се скршат.

## Други специјални безбедносни упатства за брусење со делење:

a) Избегнувајте заглавување на дискот за делење или премногу висок контактен притисок. Не изведувајте претерано длабоки засеци. Преоптоварувањето на дискот за делење го зголемува неговиот напор и чувствителноста за извртување или блокирање, а со тоа и на можноста за повратен удар или за кршење на телото за брусење.

b) Избегнувајте го доменот пред и зад ротирачки диск за делење. Доколку дискот за делење го движите во материјалот за обработка во насока подалеку од себе, во случај на повратен удар електро-алатот со дискот што се врти, може да се насочи директно кон вас.

c) Доколку дискот за делење се заглави или доколку прекинете со работа, исклучете го електро-алатот и држете го мирно сè додека дискот не постигне состојба на мирување. Никогаш не обидувајте се, да го извлечете дискот од засеок додека се врти, во спротивно може да дојде до повратен удар. Констатирајте и отстранете ја причината за заглавувањето.

d) Не вклучувајте го електро-алатот повторно, сè додека истиот се наоѓа во материјалот за обработка. Дозволете дискот да го достигне целиот број на вртежи, пред внимателно да го продолжите сечењето. Во спротивно дискот може да заглави, да отскокне од материјалот за обработка или да предизвика повратен удар.

e) Потпрете ги плочите или големите материјали за обработка, за да го намалите ризикот од повратен удар како резултат на заглавен диск за делење. Големите материјали за обработка може да свијат како последица на својата тежина. Материјалот за обработка мора да биде потпран на двете страни и тоа како во близина на засеокот за делење така и на работ.

f) Бидете посебно внимателни при „Џебни засеци“, во постоечки сидови или други подрачја каде што се нема увид. Дискот што навлегува може да предизвика повратен удар при сечење во гасоводи или водоводи, понатаму во електрични водови или други објекти.

## Специјални безбедносни упатства за мазнење со хартија за шмирглање:

a) Не употребувајте прекудимензиониран листови за мазнење. Следете ги податоците на производителот по однос на големината на листот за мазнење. Листови за шмирглање што знаат надвор од подлогата за мазнење, можат да предизвикаат повреди како и блокирање, кинење на листовите или да доведат до повратен удар.

## Специјални безбедносни упатства во врска со работата со четките со жица:

a) Обратете внимание на тоа, дека челичната четка и за време на вообичаената употреба губи парчиња жица. Не ги преоптоварувајте жиците со премногу висок притисок на притиснување. Парчиња жица кои што се разлетуваат, би можеле многу лесно да продаат низ лесна облека и/или кожата.

b) Доколку е препорачана заштитна капа, спречете да дојде до можност за допир помеѓу заштитната капа и четката со жица. Кај четките со подножје и за четкање може да дојде до зголемување на нивниот дијаметар како резултат на притисокот при допир и на центрифугалните сили.

## ОСТАНАТИ БЕЗБЕДНОСНИ И РАБОТНИ УПАТСТВА

Секогаш проверувајте дали копчето за вретенасто заcluчување е целосно откочено пред да го вклучите алатот! По користење на вретенастото заcluчување за зацврстување / олабаување на абразивниот диск, можно е копчето да се заглави во позицијата за заcluчување.

При глодање на метал, се создаваат летечки искри. Погрижете се луѓето да не бидат загрозени. Поради ризик од пожар, запалливи матери не смеат да бидат лоцирани во близина (зона на искрење). Не користете издув за прав.

Избегнувајте искри и прашина од брусењето да го погодат телото.

Никогаш не посегнувајте во зоната на опасната работна површина при вклучена машина.

Прашиката и струготините не смеат да се одстрануваат додека е машината работи.

Во случај на значителни вибрации или појава на други неправилности веднаш исклучете ја машината со цел да ја најдете причината за нив.

Во екстремни услови, (на пр. фино брусење на метал со дискот за пилевина и вулканизирани влакна), во внатрешната страна на брусилката може да се напалат остатоци.

Не дозволувајте какви и да се метални делови да дојдат до отворите за вентилација-ризик од куршлу!

ПРЕДУПРЕДУВАЊЕ! Опасност од изгореници! Дискот и работниот дел ќе се вжештат при употребата. Носете ракавици кога ги менувате дисковите или го допирате работниот дел. Дланките нека ви бидат постојано настрана од делот што го брусите.

ПРЕДУПРЕДУВАЊЕ! За да избегнете опасноста од пожар, од наранувања или од оштетување на производот, коишто ги создава краток спој, не ја потопувајте во течност алатката, заменливата батерија или полначот и пазете во уредите и во батериите да не проникнуваат течности. Корозивни или електроспроводливи течности, како солена вода, одредени хемикалии, избулвачки препарати или производи кои содржат избулвачки супстанции, можат да предизвикаат краток спој.

Не ги отворајте насилно батериите и полначите, и чувајте ги само на суво место. Чувајте ги постојано суви.

Користете исклучиво Систем M18 за полнење на батерии од M18 систем. Не користете батерии од друг систем.

## СПЕЦИФИЦИРАНИ УСЛОВИ НА УПОТРЕБА

Аголната брусилка е наменета за брусење и сечење метални, камени, бетонски и керамички материјали, како и пескареење и чистење арматура со челична четка.

Користете го капачето за режење од приборот за сечење.

Во секој случај почитувајте ги упатствата на производителите на приборот.

Електричното орудие е прикладно само за сува обработка.

На аголната брусилка треба да се прицврстат само соодветни дискови за брусење или сечење и соодветни заштитници (заштитник за брусење или заштитник за сечење), според описот во делот со спецификации за производот од овој прирачник. Аголната брусилка е наменета само за рачно ракување; не треба да се монтира на дел од опремата или на работната маса.

Не користете го производот на друг начин освен на начините за кои е наменет.

## ОСТАТОЧНИ ОПАСНОСТИ

Дури и при уредна употреба на машината, не може да се исклучат сите преостанати ризици. При употребата може да настанат следните опасности, на кои операторот треба особено да внимава:

- Повреди предизвикани како последица на вибрации. Држете ја алатката за рачките предвидени за тоа и ограничете го времето на работа и експозицијата.
- Изложеноста на бучава може да доведе до оштетување на слухот. Носете заштита за ушите и ограничете го траењето на експозицијата.
- Честичките нечистотија може да предизвикаат повреди на очите. Секогаш носете заштитни очила, долги пантолони, ракавици и цврсти чевли.
- Вдишување токсични прашина.

## УПАТСТВА ЗА ЛИТИУМ-ЈОНСКИ БАТЕРИИ

### Употреба на литиум-јонски батерии

Батриите кои не биле користени подолго време треба да се наполнат пред употреба.

Температура повисока од 50°C (122°F) го намалуваат траењето на батериите. Избегнувајте подолго изложување на батериите на високи температури или сонце (ризик од прегревање).

Клемите на полначот и батериите мора да бидат чисти.

За оптимален работен век батериите мора да се наполнат целосно по употреба.

За можно подолг век на траење, апаратите после нивното полнење треба да бидат извадени од апаратот за полнење на батериите.

Во случај на складирање на батеријата подолго од 30 дена:

Акумулаторот да се чува на температура од приближно 27°C и на суво место.

Акумулаторот да се складира на приближно 30%-50% од состојбата на наполнетост.

Акумулаторот повторно да се наполни на секои 6 месеци.

### Заштита од преоптоварување на батеријата за литиум-јонски батерии

При преоптеретување на батеријата како резултат на мошне висока потрошувачка на струја, на пример екстремно високи вртежни моменти, ненадејно стопирање или краток спој, електро-алатот вибрира 5 секунди, приказот за полнење трепка и електро-алатот самостојно се исклучува.

За повторно вклучување ослободете го притискачот на прекинувачот, а потоа повторно вклучете. Во случај на екстремни оптоварувања батеријата се загрева премногу. Во таков случај трепкаат сите ламбички од приказот за полнење сè додека батеријата не се излади. По гаснење на приказот за полнење може да се продолжи со работа.

### Транспорт на литиум-јонски батерии

Литиум-јонските батерии подлежат на законските одредби за транспорт на опасни материи.

Транспортот на овие батерии мора да се врши согласно локалните, националните и меѓународните прописи и одредби.

Потрошувачите на овие батерии може да вршат непречен патен транспорт на истите.

Комерцијалниот транспорт на литиум-јонски батерии од страна на шпедитерски претпријатија подлежат на одредбите за транспорт на опасни материи. Подготовките за шпедиција и транспорт треба да ги вршат исклучиво соодветно обучени лица. Целокупниот процес треба да биде стручно надгледуван.

При транспортот на батерии треба да се внимава на следното:

Осигурајте се дека контактите се заштитени и изолирани, а сето тоа со цел да се избегнат кратки споеви.

Внимавајте да не дојде до изместување на батериите во нивната амбалажа. Забранет е транспорт на оштетени или протечени литиум-јонски батерии. За лонатамошни инструкции обратете се до Вашето шпедитерско претпријатие.

## РАБОТНИ УПАТСТВА

### Заштита од преоптоварување и повратен удар

Апаратот располага со една заштитна функција за Overload и Anti Kickback и во случај на соодветно преоптоварување застанува со работа. Исклучете го алатот на струја, а потоа повторно вклучете го за да продолжите да работите.

### Мазен старт

Електронски контролиран мазен старт за безбедно користење кој штити од почетното нагло задвижување на машината.

За алатите кои се наменати за опремување со шилесто тркало за дупчење, осигурете се дека жицата во тркалото е доволно долга за да ја прифати должината на вретеното.

Сечени и брусени плочи да се употребуваат и чуваат секогаш према податоците на производителот.

Во случај на груба обработка и пресекување секогаш се работи со заштитна капа.

На косо сечени листови за стружење мора да бидат монтирани на тој начин што нивната површина за стружење нема да излегува надвор од нивото на работ на заштитната хауба. Шрафот за штелување мора да биде затегнат пред да се почне со работа со машината.

Секогаш користете ја помошната рачка.

Работни предмети кои што се обработуваат мора да бидат цврсто стегнати доколку не се држи со самата своја тежина. Работните предмети никогаш да не се водат рачно према плочата.

Пред пуштањето во погон на машината навртката со прирабница треба да биде цврсто затегната. Ако вметнатиот алат не е зацврстен со навртка со прирабница постои можност вметнатиот алат при заочување да ја изгуби потребната сила на затегнување.

## ЧИЩЕЊА

Вентилационските отвори на машината мора да бидат комплетно отворени постојано.

## ОДРЖУВАЊЕ

Користете само Milwaukee додатоци и резервни делови. Доколку некои од компонентите кои не се опишани треба да бидат заменети, Ве молиме контактирајте ги сервисните агенти на Milwaukee (консултирајте ја листата на адреси).

Доколку е потребно можно е да биде набавен детален приказ на алатот. Ве молиме наведете го бројот на артиклет како и типот на машина кој е отпечатен на етикетата и порачајте ја скицата кај локалниот застапник или директно кај: Techtronic Industries GmbH, Max-Eyth-Straße 10, 71364 Winnenden, Germany.

## СИМБОЛИ



Ве молиме пред да ја стартувате машината обрнете внимание на упатствата за употреба.



ВНИМАНИЕ! ПРЕДУПРЕДУВАЊЕ! ОПАСНОСТ!



Извадете го батерискиот склоп пред отпочнување на каков и да е зафат врз машината.



Штитникот немојте да го користите за отсекување.



Не употребувајте сила.



Примени сила.



Секогаш при користење на машината носете ракавици.



Носете штитник за уши.



Не ја вдишувајте. Носете соодветна заштитна маска.



Носете ракавици!



Секогаш работете со обете раце.



Само за работи на брусене.



Само за работи на сечење.



Внимавајте на дозволената дебелина на дискот.



Дополнителна опрема - Не е вклучена во стандардната, а достапна е како додаток.

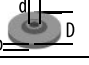
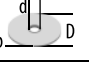
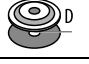



Електричните апарати не смеат да се фрлат заедно со домашниот отпад. Електричните и електронските апарати треба да се собираат одделно и да се однесат во соодветниот погон заради нивно фрлање во склад со начелата за заштита на околината. Информирајте се кај Вашите местни служби или кај специјализираниот трговски претставник, каде има такви погони за рециклажа и собирни станици.



Номинална брзина

V	Напон
~	Истосмерна струја
CE	Европска ознака за сообразност
UK CA	Британска ознака за сообразност
001	Украинска ознака за сообразност
EAC	Евроазиска ознака за сообразност

ТЕХНІЧНІ ХАРАКТЕРИСТИКИ	M18 FSAG115X	M18 FSAG125X
Тип конструкції	Акумуляторна кутова шліфувальна машина	Акумуляторна кутова шліфувальна машина
Номер виробу	4830 49 01 XXXXXX MJJJJ	4830 56 01 XXXXXX MJJJJ
Напруга змінної акумуляторної батареї	18 V	18 V
Номинальна кількість обертів	8500 min <sup>-1</sup>	8500 min <sup>-1</sup>
Різьба шпинделя	M14	M14
D=Ø шліфувального диску макс.	115 mm	125 mm
d=Ø отвору	22,2 mm	22,2
 b=Товщина шліфувального диску макс.	6 mm	6 mm
 b=Товщина відрізного диску макс. / мін.	3 mm / 1 mm	3 mm / 1 mm
 D=Dіаметр шліфувального диска макс.	115 mm	125 mm
 D=Ø чашкової щітки макс.	75 mm	75 mm
Вага згідно з процедурою EPTA 01/2014 (Li-Ion 2,0 Ah ... 12,0 Ah)	2,4 ... 3,4 kg	2,4 ... 3,5 kg
Температура навколишнього середовища, рекомендована для експлуатації	-18 ... +50 °C	
Рекомендовані акумулятори	M18B...; M18HB...	
Рекомендовані зарядні пристрої	M12-18...; M1418C6	
<b>Інформація про шум:</b> Вимірні значення визначені згідно з EN 60745. Рівень шуму "A" приладу становить в типовому випадку:		
Рівень звукового тиску / похибка K =	82,7 dB(A) / 3 dB(A)	82,7 dB(A) / 3 dB(A)
Рівень звукової потужності / похибка K =	93,7 dB(A) / 3 dB(A)	93,7 dB(A) / 3 dB(A)
<b>Використовувати засоби захисту органів слуху!</b>		
<b>Інформація щодо вібрації:</b> Сумарні значення вібрації (векторна сума трьох напрямків), встановлені згідно з EN 60745.		
Значення вібрації a <sub>n</sub> / похибка K =		
Шліфування поверхні	4,8 m/s <sup>2</sup> / 1,5 m/s <sup>2</sup>	5,5 m/s <sup>2</sup> / 1,5 m/s <sup>2</sup>
Шліфування диском з абразивної шкірки	1,1 m/s <sup>2</sup> / 1,5 m/s <sup>2</sup>	1,9 m/s <sup>2</sup> / 1,5 m/s <sup>2</sup>
Для інших робіт, наприклад, відрізного шліфування або шліфування щіткою із сталевого дроту, можуть мати місце інші значення вібрації!		

## ПОПЕРЕДЖЕННЯ!

Заявлені значення шумового випромінювання, вказані в цьому інформаційному аркуші, було виміряно відповідно до стандартизованого випробування згідно з EN 60745 та можуть використовуватися для порівняння одного інструмента з іншим. Вони також можуть використовуватися для попередньої оцінки рівня впливу на організм.

Вказані значення вібрації та шумового випромінювання дійсні для основних областей застосування інструмента. Якщо інструмент використовується в інших областях застосування чи з іншим приладом або не проходить належне обслуговування, значення вібрації та шумового випромінювання можуть відрізнятись. Це може суттєво збільшити рівень впливу на організм протягом загального періоду роботи.

Під час оцінки рівня впливу вібрації та шумового випромінювання на організм також необхідно врахувати періоди, коли інструмент вимкнено, чи коли він працює, але фактично не використовується для виконання роботи. Це може суттєво знизити рівень впливу на організм протягом загального періоду роботи.

Визначте додаткові заходи для захисту оператора від впливу вібрації та/або шуму, наприклад, обслуговування інструмента та його приладдя, зберігання рук у теплі, організація графіків роботи.

**ПОПЕРЕДЖЕННЯ!** Прочитайте всі вказівки з техніки безпеки та інструкції. Упущення при дотриманні вказівок з техніки безпеки та інструкцій можуть призвести до ураження електричним струмом, пожежі та/або тяжких травм. Зберігайте всі вказівки з техніки безпеки та інструкції на майбутнє.

### ВКАЗІВКИ З ТЕХНІКИ БЕЗПЕКИ ДЛЯ КУТОВИХ ШЛІФУВАЛЬНИХ МАШИН

Загальні вказівки з техніки безпеки для шліфування, шліфування з наждачним папером, робіт з дротяними щітками та відрізного шліфування:

**a) Цей електроінструмент використовується як шліфувальна машина, шліфувальна машина з наждачним папером, дротяна щітка та відрізна шліфувальна машина. Звертайте увагу на всі вказівки з техніки безпеки, вказівки, зображення та дані, які ви отримуєте з приладом.** Недотримання наведених далі інструкцій може спричинити ураження електричним струмом, пожежу та/або тяжкі травми.

**b) Цей електроінструмент не призначений для полірування.** Використання для цієї, не передбаченої для цього електроінструменту, може спричинити небезпеку та травми.

**c) Не використовуйте комплектуючі, які не передбачені або не рекомендовані виробником спеціально для цього електроінструменту.** Той факт, що комплектуючі вдається закріпити в електроінструменті, ще не гарантує їх безпечного використання.

**d) Допустима кількість обертів вставного інструмента має бути не меншою, ніж максимальна кількість обертів, вказана на електроінструменті.** Комплектуючі, що обертаються швидше, ніж дозволено, можуть зламатися і відлетіти.

**e) Зовнішній діаметр та товщина вставного інструмента повинні відповідати даним вашого електроінструмента.** Неправильний розмір вставних інструментів може бути причиною того, що вони недостатньо закриті захисними пристроями або їх важко контролювати.

**f) Вставні інструменти з нарізною вставкою повинні точно підходити до різьби шліфувального шпинделя машини.** У вставних інструментах, що монтується за допомогою фланців, діаметр отвору вставного інструмента має підходити до кріпильного фланця. Вставні інструменти, які не точно кріпляться на вставному інструменті, обертаються не рівномірно, сильно вібрують і можуть привести до втрати контролю.

**g) Не використовувати пошкоджені вставні інструменти.** Перед кожним використанням перевіряйте вставні інструменти, наприклад, шліфувальні диски, на наявність сколів та тріщин, шліфувальні тарілчасті диски на наявність тріщин, ознаки зносу або сильного стирання, дротяні щітки на наявність незакріплених або поламаних дротів. Якщо електроінструмент або вставний інструмент вправ, перевірте, чи він не пошкоджений, або використовуйте непошкоджений вставний інструмент. Якщо ви перевірили та встановили вставний інструмент, вам та особам, які знаходяться поблизу, необхідно триматися поза зоною дії вставного інструменту, що обертається, і нехай електроінструмент одну хвилину працює з максимальною частотою обертів. Пошкоджені вставні інструменти у більшості випадків ламаються під час такого випробування.

**h) Носити індивідуальні засоби захисту.** Залежно від виду робіт користуватися маскою для захисту всього обличчя, засобом для захисту очей або захисними окулярами. Якщо необхідно, одягніть маску для захисту від пилу, засоби захисту органів слуху, захисні рукавиці або спеціальний фартук, який затримує малі частинки від шліфування та часточки матеріалу. Необхідно захищати очі від часточок та деталей, що можуть відлітати під час різних видів застосувань. Фільтруюча захисна маска або маска для захисту від пилу необхідні для фільтрації пилу, що виникає під час роботи. Якщо на органи слуху тривалий час діє гучний шум, це може призвести до втрати слуху.

**i) Зверніть увагу, що інші особи мають дотримуватися безпечної відстані від вашої робочої області.** Кожний, хто входить в робочу область, повинен одягти індивідуальні засоби захисту. Частинки заготовки або уламки вставних інструментів можуть відлітати та спричинити травми навіть за межами безпосередньої робочої області.

**j) Під час виконання робіт тримайте електроінструмент за ізольовані поверхні рукояток, якщо вставний інструмент може натрапити на приховані електричні лінії.** Контакт з лінією під напругою може призвести до появи напруги в металевих частинах приладу та до ураження електричним струмом.

**k) Ніколи не кладіть електроінструмент, доки вставний інструмент не зупиниться повністю.** Вставний інструмент, який обертається, може зіткнутися із поверхнею стійки, що може призвести до втрати контролю над електроінструментом.

**l) Не вмикайте електроінструмент під час перенесення.** Через випадкове торкання вставний інструмент, який обертається, може зачепити ваш одяг, а також врізатися в тіло.

**m) Регулярно чистити вентиляційні отвори електроінструменту.** Вентилятор двигуна втягує в корпус пил, велике скупчення металевого пилу може призводити до небезпеки, пов'язаної з електричними приладами.

**n) Не користуйтеся електроінструментом поблизу горючих матеріалів.** Іскри можуть призвести до займання матеріалів.

**o) Не використовувати вставні інструменти, які вимагають рідких засобів для охолодження.** Використання води або інших рідких охолоджувальних засобів може призвести до ураження електричним струмом.

### Віддача та відповідні вказівки з техніки безпеки

Віддача - це раптова реакція внаслідок затинання або блокування вставного інструменту, який обертається, наприклад, шліфувального диску, шліфувального тарілчастого диску, дротяної щітки та ін. Заклинювання або блокування веде до раптової зупинки вставного інструмента, який обертається. Внаслідок цього неконтрольований електроінструмент отримує прискорення в напрямку, протилежному напрямку обертання вставного інструмента в точці блокування.

Коли, наприклад, шліфувальний диск заклинюється або блокується в заготовці, край шліфувального диска, який занурений в заготовку, може зачепитися і зірвати шліфувальний диск або спричинити віддачу. Шліфувальний диск після цього рухається в напрямку до оператора або від нього, залежно від напрямку обертання диска в точці блокування. Шліфувальні диски можуть в цьому випадку також зламатися.

Віддача є наслідком неправильного або помилкового використання електроінструмента. Її можна попередити відповідними запобіжними заходами, як описано нижче.

**a) Міцно тримати електроінструмент, тіло та руки мають бути в такому положенні, при якому вони можуть компенсувати сили віддачі.** Завжди використовувати додаткову рукоятку, якщо вона є, щоб в максимальній мірі контролювати сили віддачі або зворотні моменти при розгоні. Користувач може відповідними запобіжними заходами управляти віддачею та зворотними силами.

**b) Ніколи не наближати руки до вставних інструментів, які обертаються.** Приладдя може відскочити в бік вашої руки.

**c) Триматися за межми ділянки, куди рухається електроінструмент при віддачі.** Віддача спрямовує електроінструмент в напрямку, протилежному напрямку руху шліфувального диска в місці блокування.

**d) Особливо обережно слід працювати на ділянках кутів, гострих кромок та ін.** Запобігайте відскакуванню від заготовки та заклинюванню вставних інструментів. Вставний інструмент, який обертається, може заклинюватися на кутах, гострих кромках або при відскоках. Це призводить до втрати контролю та до віддачі.

**e) Не використовувати ланцюгове або зубчате пилкове полотно.** Такі вставні інструменти часто спричиняють віддачу або втрату контролю над електроінструментом.

### Особливі вказівки з техніки безпеки для шліфування та відрізного шліфування:

**a) Використовувати виключно шліфувальні круги, допущені для вашого електроінструмента, та захисний кожух, передбачений для цих шліфувальних інструментів.** Шліфувальні інструменти, не передбачені для електроінструмента, не можуть бути в достатній мірі закриті; вони небезпечні.

**b) Вигнуті шліфувальні диски монтувати так, щоб шліфувальна поверхня не виходила за рівень краю захисного кожуха.** Неправильно змонтований шліфувальний диск, який виходить за рівень краю захисного кожуха, не може бути достатньо захищений.

**c) Захисний кожух необхідно надійно закріпити на електроінструменті та для максимальної безпеки регулювати так, щоб відкритою у напрямку оператора була найменша частина шліфувального інструменту.** Захисний щиток допомагає захистити оператора від уламків диска, від випадкового контакту з диском, а також від іскор, які можуть спричинити займання одягу.

**d) Відрізнi диски можна використовувати тiльки для рекомендованих робiт. Наприклад: Нiколи не здiйснюйте шліфування боковою поверхнею відрізного диска.** Відрізнi диски призначенi для зняття матеріалу кромкою диска. Прикладання сили збоку до цих шліфувальних інструментів може спричинити їхню поломку.

**e) Завжди використовувати непошкоджені затисні фланці необхідного розміру та форми для вибраного шліфувального диску.** Відповідні фланці створюють опору для шліфувального диска та знижують небезпечу поломки шліфувального диска. Фланці для відрізнiх дисків можуть відрізнятись від фланців для інших шліфувальних дисків.

**f) Не використовувати зношені шліфувальні диски від більшого електроінструмента.** Шліфувальні диски для великих електроінструментів не розраховані на велику кількість обертів менших електроінструментів; вони можуть зламатися.

**Подальші особливі вказівки з техніки безпеки для відрізного шліфування:**

**a) Уникати блокування відрізного диска або занадто сильного притискання. Не виконувати занадто глибокі розрізи.** Перевантаження відрізного диска підвищує ризик утворення внутрішнього напруження та схильності до перекосу або блокування, які в свою чергу призводять до віддачі або поломки шліфувального інструменту.

**b) Уникати ділянок перед та позаду відрізного диска, який обертається.** Якщо ви пересуваєте відрізнiй диск в заготовці від себе, у випадку віддачі електроінструмент з диском, який обертається, може бути відштовхнутим прямо на вас.

**c) Якщо відрізнiй диск заклинюється або ви перериваєте роботу, вимкніть прилад та тримайте його спокійно, доки диск не зупиниться. Нiколи не намагайтесь витягнути відрізнiй диск з розрізу, доки він обертається, iнакше може статися віддача.** Визначити та усунути причину заклинювання.

**d) Не вмикати повторно електроінструмент, доки він знаходиться в заготовці. Відрізнiй диск має спочатку досягти повної кількості обертів, перш ніж обережно продовжувати різання.** Iнакше диск може застрягнути, виїти з заготовки або спричинити віддачу.

**e) Під плити або великі заготовки необхідно ставити опори, щоб зменшити ризик віддачі через заклинювання відрізного диска.** Великі заготовки можуть прогинатися під власною вагою. Заготовка повинна мати опору з обох боків, поблизу розрізу та на краю.

**f) Будьте особливо обережні при виконанні „кишень“ в змонтованих стінах або на інших ділянках з поганим оглядом.** Занурювальний відрізнiй диск може спричинити віддачу при різанні газових та водяних трубопроводів або електричних ліній чи інших об'єктів.

**Особливі вказівки з техніки безпеки для шліфування з наждачним папером:**

**a) Не використовувати шліфувальні диски занадто великих розмірів, виконувати вказівки виробника щодо розміру шліфувальних дисків.** Шліфувальні диски, що виступають за краї шліфувального таріластого диску, можуть спричинити травми, а також приводити до блокування, розриву диску або до віддачі.

**Особливі вказівки з техніки безпеки для робіт з дротяними щітками:**

**a) Зверніть увагу, що дротяна щітка втрачає частини дротів навіть в нормальному режимі експлуатації. Не перевантажуйте дроті, не притискайте щітку занадто сильно.** Частини дротів, що відлітають, можуть легко проходити через легкий чи тонкий одяг та/або шкіру.

**b) Якщо рекомендовано використовувати захисний кожух, запобігайте зіткненню захисного кожуха та дротяної щітки.** Таріласті та чашкові щітки можуть збільшувати діаметр під впливом притискання та відцентрових сил.

**ДОДАТКОВІ ІНСТРУКЦІ З ТЕХНІКИ БЕЗПЕКИ ТА ЕКСПЛУАТАЦІЇ**

Перед увімкненням інструмента завжди перевіряйте, чи знаходиться кнопка блократора шпинделя в положенні повного розблокування. Після використання блократора шпинделя для кріплення/вивільнення абразивного диска кнопка може застрягти в положенні блокування.

При шліфуванні металу виникає іскріння. Звертати увагу на те, щоб не створювати небезпечу для інших людей. Якщо є небезпека загоряння, на ділянці іскріння не повинні знаходитися горючі матеріали. Не використовувати засоби для відсмоктування пилу.

Уникати потрапляння іскор та пилу від шліфування на тіло.

Частини тіла не повинні потрапляти в небезпечну область машини, коли вона працює.

Не можна видаляти стружку або уламки, коли машина працює.

Негайно вимкнути прилад, якщо виникає помітна вібрація або інші небажані явища. Перевірте машину, щоб встановити причину.

Під час роботи в екстремальних умовах (наприклад, у разі тонкого шліфування металів за допомогою диска з кріпильним отвором і шліфувального диска з вулканізованого волокна) всередині шліфувальної машини можуть накопичуватися значні забруднення.

В зв'язку з небезпечою короткого замикання в вентиляційні отвори не повинні потрапляти металеві предмети.

**ПОПЕРЕДЖЕННЯ! Небезпека опіку!** Під час роботи диск і заготовка дуже нагріваються. Замінюючи диск або торкаючись заготовки, носіть рукавиці. Завжди тримайте руки на відстані від області шліфування.

**ПОПЕРЕДЖЕННЯ!** Для запобігання небезпечі пожежі в результаті короткого замикання, травмам і пошкодженню виробів не занурюйте інструмент, змінний акумулятор або зарядний пристрій у рідину і не допускайте потрапляння рідини всередину пристроїв або акумуляторів. Корозійні і струмопровідні рідини, такі як солоний розчин, певні хімікати, вибілювальні засоби або продукти, що їх містять, можуть призвести до короткого замикання.

Не відкривати знімні акумуляторні батареї і зарядні пристрої та зберігати їх лише в сухих приміщеннях. Беретти від вологи.

Знімні акумуляторні батареї системи M18 заряджати лише зарядними пристроями системи M18. Не заряджати акумуляторні батареї інших системи.

**ВИКОРИСТАННЯ ЗА ПРИЗНАЧЕННЯМ**

Кутова шліфувальна машина призначена для шліфування та розрізання металу, каменю, бетону та кераміки, а також для обробки шліфувальним папером і металевою щіткою.

Для розрізання використовуйте кришку для розрізання з асортименту додаткового приладдя.

Дотримуйтеся вказівок виробника комплектуючих.

Електроінструмент призначений лише для сухої обробки.

Встановлюйте на кутову шліфувальну машину лише відповідні шліфувальні або різальні диски та супутні захисні пристрої (захисний кожух для шліфування чи розрізання) відповідно до вказівок у розділі зі специфікацією продукту в цьому посібнику. Кутова шліфувальна машина призначена для ручного використання та не призначена для установки на робочому столі або на кріпильних пристроях.

Не використовуйте цей продукт для будь-якої іншої мети; використовуйте його лише згідно зі вказаним цільовим призначенням.

**ЗАЛИШКОВІ НЕБЕЗПЕКИ**

Навіть при належному використанні не можна виключити всі залишкові ризики. При використанні можуть виникнути такі небезпеки, на які користувач повинен звернути особливу увагу:

- Травми внаслідок вібрації. Тримайте прилад за передбачені для цього руків'я і обмежуйте час роботи та експозиції.
- Шумовий вплив може погіршити слух. Носіть захисні навушники і обмежуйте тривалість експозиції.
- Травми очей, викликані частинками забруднень. Завжди надягайте захисні окуляри, щільні довгі штани, рукавиці і міцне взуття.
- Вдихання отруйного пилу.

**ВКАЗІВКИ ЩОДО ЛІТІЙ-ІОННИХ АКУМУЛЯТОРІВ**

**Застосування літій-іонних акумуляторів**

Знімну акумуляторну батарею, що не використовувалася тривалий час, перед використанням необхідно підзарядити.

Температура понад 50 °C зменшує потужність знімної акумуляторної батареї. Уникати тривалого нагрівання сонячними променями або системою обігріву.

З'єднувальні контакти зарядного пристрою та знімної акумуляторної батареї повинні бути чистими.

Для забезпечення оптимального строку експлуатації акумуляторні батареї після використання необхідно повністю зарядити.

Для забезпечення максимально можливого терміну експлуатації акумуляторні батареї після зарядки необхідно виймати з зарядного пристрою.

При зберіганні акумуляторної батареї понад 30 днів:

Зберігати акумуляторну батарею при температурі приблизно 27 °C в сухому місці.

Зберігати акумуляторну батарею в стані зарядки приблизно 30-50 %.

Кожні 6 місяців знову заряджати акумуляторну батарею.

**Захист від перевантаження літій-іонних акумуляторів**

У випадку перевантаження акумуляторної батареї внаслідок дуже високого споживання струму, наприклад, надмірно високого крутильного моменту, раптової зупинки або короткого замикання, електроінструмент віорує 5 секунд, індикатор заряду блимає, електроінструмент самостійно вимикається.

Для повторного увімкнення відпустити кнопку вимикача і знов увімкнути. При надмірних навантаженнях акумуляторна батарея сильно перегрівается. В цьому випадку всі лампочки індикатора заряду блимають, доки акумуляторна батарея не охолоне. Можна продовжити роботу після того, як індикатор заряду згасне.

**Транспортування літій-іонних акумуляторних батарей**

Літій-іонні акумуляторні батареї підпадають під застосування про перевезення небезпечних вантажів.

Транспортування таких акумуляторних батарей повинно відбуватися із дотриманням місцевих, національних та міжнародних приписів та положень.

споживачі можуть без проблем транспортувати ці акумуляторні батареї по вулиці.

Комерційне транспортування літій-іонних акумуляторних батарей експедиторськими компаніями підпадає під положення про транспортування небезпечних вантажів. Підготовку до відправлення та транспортування можуть здійснювати виключно особи, які пройшли відповідне навчання. Весь процес повинні контролювати кваліфіковані фахівці.

При транспортуванні акумуляторних батарей необхідно дотримуватись зазначених далі пунктів:

Переконайтеся в тому, що контакти захищені та ізольовані, щоб запобігти короткому замиканню.

Слідкуйте за тим, щоб акумуляторна батарея не переміщувалася всередині упаковки. Пошкоджені акумуляторні батареї, або акумуляторні батареї, що потекли, не можна транспортувати. Для отримання подальших вказівок звертайтеся до своєї експедиторської компанії.

**ВКАЗІВКИ ЩОДО ЕКСПЛУАТАЦІЇ**

**Захист від перевантаження та зворотного удару**

Прилад оснащений функцією захисту при перевантаженні та функцією проти віддачі при відповідному надмірному навантаженні. Вимкніть електропривідний інструмент, а потім увімкніть його знову для продовження роботи.

**Плавний пуск**

Електронний плавний пуск для безпечної роботи запобігає при увімкненні різкому розгону машини.

При використанні шліфувальних інструментів з нарізною вставкою переконайтеся в тому, що різьба достатньо довга для довжини шпинделя.

Завжди використовувати та зберігати відрізнi та шліфувальні диски відповідно до вказівок виробника.

При обдиранні та різанні завжди працювати з захисним кожухом. Вигнуті шліфувальні диски монтувати так, щоб шліфувальна поверхня закінчувалася не менш ніж на 2 мм під рівнем краю захисного кожуха.

Фланцева гайка має бути затягнена перед введенням приладу в дію.

Завжди користуйтеся додатковою рукояткою.

Оброблювану заготовку необхідно міцно закріпити, якщо вона не тримається завдяки власній вазі. Нiколи не вести заготовку рукою до диска.

Перед введенням приладу в дію фланцева гайка має бути добре затягнутою. Якщо вставний інструмент не затягнений міцно фланцевою гайкою, існує вірогідність того, що вставний інструмент при гальмуванні втратить необхідну силу натягу.

**ЧИСТКА**

Завжди підтримувати чистоту вентиляційних отворів.

**ОБСЛУГОВУВАННЯ**

Використовувати тільки комплектуючі та запчастини Milwaukee. Деталі, заміна яких не описується, замінювати тільки в відділі обслуговування клієнтів Milwaukee (зверніть увагу на брошуру "Гарантія / адреси сервісних центрів").

У разі необхідності можна запросити креслення з зображенням вузлів машини в перспективному вигляді, для цього потрібно звернутися в ваш відділ обслуговування клієнтів або безпосередньо в Techtronic Industries GmbH, Max-Eyth-Straße 10, 71364 Winnenden, Німеччина, та вказати тип машини та шестизначний номер на фірмовій таблиці з даними машини.



**СИМВОЛИ**

	Уважно прочитайте інструкцію з експлуатації перед введенням приладу в дію.
	<b>УВАГА! ПОПЕРЕДЖЕННЯ! НЕБЕЗПЕЧНО!</b>
	Перед будь-якими роботами на приладі виїняти змінну акумуляторну батарею.
	Не використовуйте захисний щиток для операцій відрізання.
	Не застосовувати силу.
	Застосувати силу.
	Під час роботи з машиною завжди носити захисні окуляри.
	Користуйтеся засобами захисту органів слуху.
	Носити відповідну маску для захисту від пилу.
	Носити захисні рукавиці!
	Завжди працюйте двома руками.
	Тільки для робіт зі шліфування.
	Тільки для робіт з відрізання.
	Звертайте увагу на допустиму товщину диска.
	Комплектуючі - не входять в обсяг постачання, рекомендовані доповнення з програми комплектуючих.
	Електричні прилади не можна утилізувати з побутовими відходами. Електричні та електронні прилади необхідно збирати окремо та здавати в спеціалізовані підприємства для утилізації, що не шкодить навколишньому середовищу. Зверніться до місцевих органів або до вашого дилера, щоб отримати адреси пунктів вторинної переробки та пунктів прийому.
$n_0$	Номинальна кількість обертів
V	Напряжение

	Постійний струм
	Європейський знак відповідності
	Британський знак відповідності
	Український знак відповідності
	Євразійський знак відповідності

	التيار المستمر
	علامة التوافق الأوروبية
	علامة التوافق البريطانية
	علامة التوافق الأوكرانية
	علامة التوافق الآسيوية

	يرجى قراءة التعليمات بعناية قبل بدء تشغيل الجهاز.
	تنبيه! تحذير! خطر!
	انزع البطارية قبل التعامل مع الجهاز.
	لا تستخدم الواقي لإجراء عمليات القطع.
	لا تستخدم القوة
	استخدم القوة.
	ارتد دائما نظارات الوقاية عند استخدام الجهاز.
	ارتد واقيات الأذن.
	لا تستشق هذه الأتربة. ارتد قناعاً واقياً من الأتربة مناسباً.
	ارتد القفازات!
	احرص دائماً على التشغيل بكتنا يدك.
	مخصصة لأعمال التجليخ فقط
	مخصصة لأعمال القطع فقط
	انتبه إلى سُمك القرص المسموح به.
	الملحق - ليس مدرجاً كمعدة قياسية، متوفر كملحق.
	يحظر التخلص من الأجهزة الكهربائية في القمامة المنزلية. يجب جمع الأجهزة الكهربائية والإلكترونية منفصلة وتسليمها للتخلص منها بشكل لا يضر بالبيئة لدى شركة إعادة استغلال. الرجاء الاستفسار لدى الهيئات المحلية أو لدى التجار المتخصصين عن مواقع إعادة الاستغلال ومواقع الجمع.
$n_0$	الحد الأقصى للسرعة المقطرة
V	الجهد الكهربائي

**(h)** ارتد معدات الحماية الشخصية، بناءً على نوع التطبيقات، استخدم واقي الوجه ونظارات واقية أو نظارات الوقاية. حينما كان ملامسًا، ارتد معدات الحماية مثل: قناع الغبار، وواقبات الأذن، والعقازات والممنزرق القادر على وقف أجزاء الكشط الصغيرة أو الشظايا المتطايرة من قطعة العمل. يجب أن تكون واقبات المين قادرة على وقف الفتات المتطاير الناتج عن العديد من العمليات. يجب أن يكون قناع الغبار أو كمامة التنفس قادرة على ترشيح الجسيمات الناتجة عن العملية التي تقوم بها. قد يسبب التعرض لمستوى مرتفع من العوَضاء لفتترات طويلة إلى فقدان السمع.

**(i)** اعمل على بقاء مرفقك فقط بعيدًا عن منطقة العمل بمسافة كافية لتأمينهم. وتعيّن على أي شخص يدخل منطقة العمل ارتداء معدات الوقائية الشخصية. قد تتناثر أجزاء من قطعة العمل أو شظايا ناتجة عن كسر القطع الملحقة خارج إطار منطقة العمل الحالية مسببة إصابات.

**(j)** عند أداء أعمال قد تلامس فيها أداة القطع أسلاك مخفية، أحمل الآلة الكهربائية من سطح القرض المعزولة فقط. تتدبيب ملامسة أحد ملحقات آلة القطع يسلك كهربي «موصلة» في جعل الأجزاء المعدنية المكشوفة بالآلة الكهربائية «موصلة» كهربيًا مما يجعل المشغل عرضة لصدمة كهربائية.

**(k)** لا تضع الآلة الكهربائية جانبًا حتى تتوقف الملحقات الدوّارة عن الحركة تمامًا. فقد تعلق الملحقات الدوّارة بالسطح مما يؤدي إلى خروج الآلة عن سيطرتك.

**(l)** لا تُشغّل الآلة أثناء حملها بجانبك. فقد يؤدي التلامس العرضي للملحقات الدوّارة إلى تمزيق الملابس، وسحبها باتجاه جسمك.

**(m)** نظّف فتحات تهوية الآلة دوريًا. ستعمل مروحة المحرك على سحب الغبار إلى داخل الميت مما يؤدي إلى تراكم برادة المعادن مسببًا مخاطر كهروإتية.

**(n)** لا تُشغّل الآلة بالقرب من المواد القابلة للاشتعال. فقد يؤدي الشرر إلى إشعال تلك المواد.

**(o)** لا تستخدم الملحقات التي تتطلب تبريد باستخدام سوائل التبريد. فقد يؤدي استخدام الماء أو سوائل التبريد إلى حدوث صدمة أو صدمة كهروإتية.

الارتداد والتحذيرات المتعلقة به

الارتداد هو رد الفعل المفاجئ أو إعاقة قرص التدوير أو حشية الدعم أو الفرشاة أو أي ملحقات أخرى. يؤدي الضغط أو إعاقة الحركة إلى التوقف المفاجئ للملحقات الدوّارة مما يؤدي بدوره إلى فقدان السيطرة على الآلة والتداعيات باتجاه المعاكس لحركة الملحقات الدوّارة عند إعاقتها.

على سبيل المثال، إذا ما أغيقت حركة العجلة الكاشطة أو تعرضت للضغط بواسطة القطعة التي يتم العمل عليها، فإن حافة القرص الذي يدخل في نقطة الضغط يمكن أن يحفر في سطح المادة مما يجعل القرص يندفع للخارج أو يتحرك خارجًا. قد يندفع القرص باتجاه المشغل أو بعيدًا عنه، تبعًا لاتجاه حركة القرص في نقطة الضغط. قد تتكسر أقراص الكشط في ظل تلك الظروف.

يحدث الارتداد نتيجة للاستخدام الخاطي للآلة الكهربية و/أو إجراءات أو أوضاع التشغيل غير الصحيحة ويمكن تجنب هذا الارتداد باتخاذ التدابير الموضحة أدناه.

**(a)** اعمل على إمسك الآلة الكهربائية بإحكام ووظف جسّدك وذراعك لمساعتدك على مقاومة قوى الارتداد. استخدم دائمًا مقيض إضافي، إن وجد، للحصول على أقصى مستوى من التحكم في الارتداد أو رد فعل عزم الدوران عند بدء التشغيل. يستطيع المشغل التحكم في قوى رد فعل العزم أو الإرتداد، إذا ما اتخذ التدابير اللازمة.

**(b)** لا تضع يدك أبدًا بالقرب من الملحقات الدوّارة. قد ترتد المعدة فوق يدك.

**(c)** لا تضع جسمك في منطقة حيث يمكن أن تتحرك الآلة إذا ما حدث ارتداد. سيعمل الارتداد على تحريك الآلة بالمعاكس لاتجاه حركة العجلة عند نقطة الإعاقة.

**(d)** توخ الحذر الشديد عند العمل في الزوايا والحواف الحادة وغيرها. حاول تجنب ارتداد أو إعاقة الملحقات، حمّل مع العمل في الزوايا والحواف الحادة أو الارتداد حدوث إعاقة للقطعة الدوّارة مما يسبب فقدان السيطرة والارتداد.

**(e)** لا تتركب سلسلة منشار أو شفرة تحت الخشب أو شفرة منشار مستنة. فمثل هذه الشفرات تؤدي إلى حدوث ارتدادات مفاجئة وفقدان السيطرة على الآلة الكهربائية.

تحذيرات السلامة المحددة لعمليات الجليخ والكشط والقطع:

**(a)** استخدم فقط أنواع الأقراص الموصى بها لأنك الكهربائية والواقى الخاص المصمم للقرص المحدد، الأقراص التي لم يتم تصميمها للآلة الكهربائية لا يمكن أن تتناسب مع الواقى كما أنها غير آمنة.

**(b)** أقراص التجليخ المتحركة يجب تركيبها بحيث يكون سطح التجليخ الخاص بها لا يعلو مستوى حافة حاجب الحماية. قرص التجليخ الذي تم تركيبه بشكل غير صحيح والذي يعلو حافة حاجب الحماية، لا يمكن حجبه بشكل كافي.

**(c)** يتعيّن أن يبيّنه تركيب الواقى بالآلة الكهربائية بإحكام ويستقر في الوضع الصحيح لتوفير أقصى مستوى من الحماية، بحيث يكون أقل قدر من القرص مُعرض نحو المشغل. يساعد الواقى على حماية المشغل من أجزاء القرص المكسور، أو الملامسة غير المتعمدة مع القرص والشرر الذي قد يُشعل الملابس.

**(d)** وتعيّن استخدام الأقراص في التطبيقات الموصى بها فقط. على سبيل المثال: لا تستخدم جانب القرص في التجليخ. صممت الأقراص الكاشطة لأغراض الجليخ المحيطي، حيث قد يؤدي أعمال قوى الجوانب مع هذه الأقراص إلى كسرها.

**(e)** استخدم دائما أقراص ذات حواف سليمة والتي يتناسب حجمها وشكلها مع القرص المختار. تدع حواف القرص المناسبة القرص فهي تقلل بالتالي احتمالية كسر القرص. قد تختلف أطراف أقراص القطع عن أطراف أقراص الجليخ.

**(f)** فالقرص المصمم للآلة الكهربائية الأكبر لا يتناسب مع السرعة العالية للآلة الأصغر كما يمكن أن تنفجر. فالقرص المصمم للآلة الكهربائية الأكبر لا يتناسب مع السرعة العالية للآلة الأصغر كما يمكن أن تنفجر.

تحذيرات السلامة المحددة الإضافية لعمليات القطع والكشط:

**(a)** لا تقم ،بحرّش» أقراص القطع أو زيادة الضغط عليها. لا تحاول المبالغة في عمق القطع. يزيد الضغط الزائد على القرص من كسر وقابلية اعوجاج القرص والتوانه أثناء القطع بالإضافة إلى احتمالية ارتداد القرص أو كسره.

**(b)** لا تقم بوضع يدك بمحاذاة القرص الدوار أو خلفه. أبعد القرص عن يدك، أثناء التشغيل، حيث إن الارتداد من الممكن أن يدفع القرص الدوار والآلة الكهربائية باتجاهك مباشرة.

**(c)** عند التواء القرص أو عند مقاطعة عملية القطع لأي سبب من الأسباب، قم بإيقاف تشغيل الآلة الكهربائية ثم ثبت الآداة حتى تتوقف تمامًا. لا تحاول مطلقًا إزالة قرص القطع من القطع عندما يكون القرص في وضع الحركة ولا إيسدحت ارتداد مفاجئ. تُدخّف من الأمر واتخذ الإجراءات التصحيحية اللازمة للقضاء على أي سبب لاعوجاج القرص.

**(d)** لا تقم بإعادة تشغيل عملية القطع في قطعة العمل. اترك القرص ليصل إلى سرعته الفصوى ثم قم بإعادة عملية القطع بحذر. قد يلتوى القرص أو يرتد إذا تم إعادة تشغيل الآلة الكهربائية في قطعة العمل.

**(e)** قم بتدعيم الألواح أو قطع العمل الكبيرة الحجم لتقليل مخاطر الضغط على القرص أو الارتداد. تتسنى الألواح الكبيرة بفعل وزنها. يجب وضع دعامات تحت قطعة العمل بالقرب من خط القطع وحافة قطعة العمل على كلا جانبي القرص.

**(f)** توخي الحذر الشديد عند استخدام «القاطع الجببي» للعمل في الحوانات أو أي مناطق أخرى غير ظاهرة. تستخدم الأقراص الفاتئة في قطع الأنابيب الغاز أو الماء أو الأسلاك الكهربائية أو المواد التي يمكن أن تسبب ارتدادًا.

تحذيرات السلامة المحددة لعمليات الصنفرة:

**(a)** لا تفرط في استخدام ورق أسطوانة الصنفرة كبير الحجم. اتبع تعليمات المصنّع، عند اختيار ورق الصنفرة. قد يسبب امتداد ورق الصنفرة الكبير خلف بطانة الصنفرة الإصابة بجروح كما قد يؤدي إلى تشقق أو تمزق الأسطوانة أو تحدث ارتدادًا.

تحذيرات السلامة المحددة لعمليات تنظيف الأسلاك:

**(a)** كن حذرًا حيث قد تتناثر أسلاك من الفرشاة أثناء التشغيل العادي. لا تزيد الضغط على الأسلاك بزيادة الحمل على الفرشاة. كن حذرًا حيث قد تتناثر أسلاك من الفرشاة أثناء التشغيل العادي. لا تزيد الضغط على الأسلاك بزيادة الحمل على الفرشاة. من الممكن أن تخترق أسلاك الفرشاة المتناثرة الملابس الخفيفة بسهولة و/أو الجلد.

**(b)** في حالة التوصية باستخدام الواقى في تنظيف الأسلاك، لا تسمح مطلقًا بأي تداخل بين العجلة السلكية أو الفرشاة مع الواقى. قد يتمدد قطر العجلة السلكية أو الفرشاة نتيجة لحمل العمل وقوى الطرد المركزية.

#### إرشادات امان وعمل إضافية

تحقق دومًا من أن زر القفل مغزلي الشكل في موضع التحرير الكامل قبل تشغيل الأداة! بعد استخدام القفل مغزلي الشكل لربط/ فك قرص السحج، من الممكن أن يثبت الزر في موضع القفل. عند قطع المعادن، يتطاير بعض الشرر. تأكد من عدم تعرض أي شخص للخطر. نظرًا لاحتمال التعرض لخطر الحريق، لا يجب وجود أي مواد احتراق بالقرب من (منطقة الشرر المتطاير). لا تستخدم نظام استخلاص الأتربة.

تجنب إصابة الجسم بالشرر المتطاير و غير التجليخ

لا تصل أبدًا إلى منطقة الخطر للآلة عندما تكون قيد التشغيل.

لا يجب إزالة الشرارة والشظايا أثناء تشغيل الآلة.

قم بإيقاف تشغيل الماكينة مباشرة في حالة حدوث اهتزازات شديدة أو غير ذلك من أعطال التشغيل. افحص الماكينة للتعرف على السبب.

في ظل الظروف القاسية (على سبيل المثال، التجليخ الناعم للمعادن باستخدام القرص الداعم وعجلة التجليخ اللبغية المفكّنة)، يمكن أن يتراكم ثلوث كبير على الجزء الداخلي من ملحقة القوابل.

لا تدع أي جزء معدينة تلمس فتحات التهوية - خطر قصر الدائرة!

تحذير! خطر حروق! يصبح القرص وقطعة التصنيع ساخنين خلال الاستخدام، لذلك يجب عليك ارتداء القفازات عند تغيير الأقراص أو لمس قطعة التصنيع. واحرص على إبعاد يديك من منطقة الطحن في كل الأوقات.

تحذير! تحذير! لتجنب أخطار الحريق أو الإصابة أو الأضرار بالمنتج التي تنجم عن الماس الكهربائي، لا تعمر الأداة أو البطارية القابلة للاستبدال أو جهاز الشحن في السوائل واحرص على أن لا تصل السوائل إلى داخل الجهاز والبطارية. السوائل المؤدية للتآكل أو الموصلة للتيار الكهربائي، مثل الماء المالح ومركبات كيميوية معينة ومواد التبييض أو المنتجات التي تشمل على مواد تبيض، يمكن أن تؤدي إلى حدوث ماس كهربائي.

لا تقم أبدًا بفتح قفل البطارية والشواحن ولا تخزنها إلا في غرف جافة. وحافظ عليها جاف طوال الوقت.

استخدم فقط شواحن System M18 لشحن بطاريات System M18 . لا تستخدم بطاريات من أنظمة أخرى.

#### شروط الاستخدام المحددة

صُممت مطحنة الزاوية للاستخدام في طحن وقطع المعادن والأحجار والخرسانة والمواد الخزفية وكذلك التنظيف بالرمل وتنظيف الأسلاك بالفرشاة.

لغرض القطع، استخدم غطاء القطع من مجموعة الملحقات.

تدع دائما تعليمات الشركة المصنّعة إذا لم تكن متأكدًا بشأن ما يمتعين عليك القيام به مع الماكينة.

الآلة مخصصة فقط للاستخدام الجاف

يجب فقط تثبيت أقراص الطحن أو القطع المناسبة والواقبات ذات الصلة (واقى الطحن أو القطع) على النحو الموضح في قسم مواصفات المنتج بهذا اللبيل في مطحنة الزاوية. فقد صُممت مطحنة الزاوية للاستخدام المحمّل باليد ولا ينبغي تعليفيًا على التجهيزات الثابتة أو طاوله العمل.

لا تستخدم المنتج بأي طريقة غير الموضحة للاستخدام المقصود.

#### المخاطر المحتملة

أيضًا عند الاستخدام الصحيح لا يمكن استبعاد جميع المخاطر المتبقية. عند الاستعمال قد تنشأ المخاطر التالية التي يجب على المستخدم مراعاتها بشكل خاص.

- الإصابات الناتجة عن الاهزازات. أمسك الجهاز من المفاتيح المخصصة لذلك وحدد أوقات العمل وخطة العمل.
- يمكن أن تسبب العوَضاء في أضرار سعية. لذا برج ارتداء واقى للسمع وقم بتحديد فترة العمل.
- إصابات العين الناتجة عن جزئيات القذورات. ارتدي دائما نظارة واقية، وبنظون طويل الخاصة بنا.)
- استنشاق الأتربة السامة.

#### إرشادات خاصة ببطاريات أيون الليثيوم القابلة للشحن

استخدام بطاريات أيون الليثيوم القابلة للشحن

يجب إعادة شحن البطارية غير المستخدمة لفترة قبل الاستخدام.

تقل درجات الحرارة التي تتجاوز °50سيلزيوس (122°فهرنهايت) من أداء البطارية. تجنب التعرض الزائد للحرارة أو أشعة الشمس (خطر التسخين).

يجب الحفاظ على محتويات الشواحن و البطاريات نظيفة.

للحصول على فترة استخدام مثالية، يجب شحن البطاريات تمامًا، بعد الاستخدام.

للحصول على أطول عمر ممكن للبطارية، انزع البطارية من الشاحن بمجرد شحنها تماما.

لتخزين البطارية أكثر من 30 يوم:

خزن البطارية بحيث تكون درجة الحرارة أقل من 27° سيلزيوس وبعيدا عن أي رطوبة.

خزن البطارية مشحونة بنسبة تتراوح بين % 50 - 30.

اشحن البطارية كالمعتاد، وذلك كل ستة أشهر من التخزين.

#### حماية بطاريات أيون الليثيوم القابلة للشحن من التحميل الزائد

في حالات العزم العالي، أو إعاقة الحركة أو التوقف المفاجئ أو القصور في الدائرة الكهربائية الذي ينتج عنه سحب لأمپر كبير من التيار الكهربائي، تصدر الأداة نبذبات لمدة 5 ثوان، وسيضيء مقياس الوقود ثم تتوقف عن العمل.

لإعادة ضبط حرج الزناد. في الظروف الفصوى للعمل، قد ترتفع درجة الحرارة الداخلية للبطارية ارتفاعًا شديدًا. إذا حدث ذلك، سيضيء مقياس الوقود حتى تتخفف درجة حرارة البطارية. بعد انطفاء الأضواء، يمكنك متابعة العمل.

#### نقل بطاريات الليثيوم

تخضع بطاريات الليثيوم أيون لشروط قوانين نقل السلع الخطرة.

ويجب نقل هذه البطاريات وفقاً للأحكام والقوانين المحلية والوطنية والدولية.

يمكن للمستخدم نقل البطاريات برأ دون الخضوع لشروط أخرى.

يخضع النقل التجاري لبطاريات الليثيوم أيون عن طريق الغير إلى قوانين نقل السلع الخطرة.

يتعيّن أن يقوم أفراد مدربون جيداً بالإعداد لعملية النقل والقيام بها بصحة خبراء منهم.

متى تُنقل البطاريات:

عند التأكد من حماية أطراف توصيل البطارية وعزلها تجنباً لحدوث قصر بالدائرة.

عند التأكد من حماية حزمة البطارية من الحركة داخل صندوق التعبئة. يُرجى عدم نقل البطاريات التي بها تشققات أو تسربات. يُرجى البحث مع شركة الشحن عن نصيحة أخرى

#### نصائح العمل

#### الحماية من الحموله الزائدة والارتداد

الجهاز يتوافر به خاصية حماية ضد الشحن الزائد والصدمات الارتدادية ويتوقف عن العمل طبقاً لذلك عند التحميل الزائد. أوقف تشغيل الآداة الكهربائية ثم أعد تشغيلها مرة أخرى لاستكمال العمل.

#### تشغيل هادئ

يمنع التشغيل الإلكتروني السلس الخاص بالاستخدام الآمن الزيادة الاعتيادية للآلة.

بالنسبة للملحقات العدة للتثبيت مع قرص ثقب ملولبة، يجب التأكد من أن الأسنان المزودة بالقرص طويلة بما يكفي لقبول طول محور الدوران.

قم باستخدام وحفظ قرص القطع والتجليخ دائماً حسب تعليمات الشركة المنتجة.

يجب دائماً ارتداء واقى عند اجراء أعمال التجليخ والقطع

أقراص التجليخ المتحركة يجب تركيبها بحيث يكون سطح التجليخ الخاص بها لا يعلو مستوى حافة حاجب الحماية.

يجب إحكام ربط صامولة الضبط قبل بدء تشغيل الماكينة.

استخدم دائما المقيض الإضافي.

قطعة التصنيع التي يجب معالجتها يجب أن تكون مثبته، طالما أنها لن تكون ثابتة من خلال وزنها. لا تمسك قطعة التصنيع باليد لمعالجتها بالقرص.

يجب تشديد ربط صمولة الحافة قبل استخدام الماكينة. إذا لم يتم تشديد صمولة الحافة في الآلة، فهناك إمكانية أن تفقد الآلة قوة الشد الضرورية عند الإفئاف.

#### التنظيف

يجب أن تكون فتحات تهوية الجهاز نظيفة طوال الوقت.

#### الصيانة

استخدم فقط ملحقات ميلوكي وكذلك قطع غيار ميلوكي. إذا كانت المكونات التي يجب تغييرها غير متوفرة، يرجى الاتصال بأحد عملاء صيانة ميلوكي (انظر قائمة عنوانين الضمان/الصيانة الخاصة بنا).

عند الحاجة يمكن طلب رمز انفجار الجهاز بعد ذكر طراز الآلة والرقم السداسي المنكور على بطاقة طاقة الآلة لدى حيه خدمة العملاء أو مباشرة لدى شركة

Techtronic Industries GmbH,
Max-Eyth-Straße 14
Winnenden 71364
المانيا

M18 FSAG125X	M18 FSAG115X	البيئات الفنية
جلاخة زاويا لاسلكية	جلاخة زاويا لاسلكية	الطراز
4830 56 01 XXXXXX MJJJJ	4830 49 01 XXXXXX MJJJJ	إنتاج عدد
18 V	18 V	فولطية البطارية
8500 min <sup>-1</sup>	8500 min <sup>-1</sup>	الحد الأقصى للسرعة المقترنة
M14	M14	سن عامود دوران التشغيل
125 mm	115 mm	D=قطر اسطوانة الجلخ الحد الأقصى
22,2	22,2 mm	d=الثقوب الضيقة-Ø
6 mm	6 mm	b=سمك قرص التجليخ الحد الأقصى
3 mm / 1 mm	3 mm / 1 mm	b=سمك قرص الفصل الحد الأقصى / الحد الأدنى
125 mm	115 mm	D=قطر قرص الترميل الحد الأقصى
75 mm	75 mm	D=قطر الفرشاة السلك الحد الأقصى
2,4 ... 3,5 kg	2,4 ... 3,4 kg	الوزن وفقا لنهج EPTA رقم 01/2014 (Li-Ion 2,0 Ah ... 12,0 Ah)
-18 ... +50 °C		درجة حرارة البيئة المحيطة الممنوح بها من أجل التشغيل
M18B...; M18HB...		البطاريات الممنوح بها
M12-18...; M1418C6		جهاز الشحن الممنوح به
82,7 dB(A) / 3 dB(A)	82,7 dB(A) / 3 dB(A)	معلومات الضوضاء: القيم التي تم قياسها محددة وفقا للمعايير الأوروبية EN 60745 مستويات ضوضاء الجهاز، ترجيح أ بشكل نموذجي كالتالي:
93,7 dB(A) / 3 dB(A)	93,7 dB(A) / 3 dB(A)	مستوى ضغط الصوت / الارتياح في القياس
		مستوى شدة الصوت / الارتياح في القياس
		<b>ارتد واقيات الأذن!</b>
		معلومات الاهتزاز: قيم الذبذبات الإجمالي (مجموع الكميات الموجهة في المحاور الثلاثة) محددة وفقا للمعايير الأوروبية EN 60745.
		قيمة انبعاث الذبذبات a <sub>n</sub> / الارتياح في القياس
5,5 m/s <sup>2</sup> / 1,5 m/s <sup>2</sup>	4,8 m/s <sup>2</sup> / 1,5 m/s <sup>2</sup>	جلخ الأسطح
1,9 m/s <sup>2</sup> / 1,5 m/s <sup>2</sup>	1,1 m/s <sup>2</sup> / 1,5 m/s <sup>2</sup>	تجليخ بورقة تجليخ
		بالنسبة للتطبيقات الأخرى، مثل عمليات القطع الكاشطة أو الفرشاة السلكية قد تحدث قيم ذبذبات أخرى.

### تحذير!

تم قياس مستوى الاهتزاز وانبعاث الضوضاء الوارد في ورقة المعلومات هذه، وفقاً لاختبار قياسي محدد في المواصفة EN 60745، ويمكن استخدامه لمقارنة آلة مع أخرى. كما يمكن استخدام ذلك أيضاً في إجراء تقييم أولي للتعرض.

يمثل مستوى الاهتزاز وانبعاث الضوضاء المعن عن الاستخدامات الأساسية للآلة. ومع ذلك، إذا استُعملت الآلة في استخدامات مختلفة، أو بملحقات مختلفة، أو تم صيانتها على نحو سيئ، فقد يختلف مستوى الاهتزاز وانبعاث الضوضاء. وهذا قد يزيد -إلى حد كبير- من مستوى التعرض خلال مدة العمل الإجمالية.

عند تقييم مستوى التعرض للاهتزاز والضوضاء، ينبغي أيضاً أن يوضع في الاعتبار فترات إطفاء الآلة أو تشغيلها دون أن تقوم بأي وظيفة فعلياً. فهذا قد يقلل -إلى حد كبير- من مستوى التعرض خلال مدة العمل الإجمالية.

تعرف على تدابير السلامة الإضافية؛ لحماية المشغل من تأثيرات الاهتزاز أو الضوضاء أو كليهما، مثل: صيانة الآلة وملحقاتها، والحفاظ على دفة اليد، وتنظيم نماذج العمل.

### تحذير!

اقرأ جميع تحذيرات السلامة وجميع التعليمات، بما فيها. قد يؤدي الفشل في مراعاة التحذيرات والتعليمات إلى التعرض للإصابة بصدمة كهربية أو الحرق و/أو إصابة خطيرة.

احتفظ بجميع التنبيهات والتعليمات للرجوع إليها مستقبلاً.

### تعليمات امان جلاخة الزاوية

تحذيرات السلامة الشائعة للجلخ والصنفرة، والفرشاة السلوكية والتلميع، وعمليات القطع الكاشطة:

(a) تم تصميم هذه الآلة الكهربائية لتعمل كجلاخة، أو فرشاة سلوكية، أو كأداة قطع. اقرأ جميع تحذيرات السلامة، والتعليمات، والصور التوضيحية والمواصفات المتوفرة مع هذه الأداة. قد يؤدي عدم مراعاة التعليمات المدرجة أدناه إلى التعرض للإصابة بصدمة كهربية أو الحرق و/أو إصابة خطيرة.

(b) هذه الآلة الكهربائية غير مخصصة للتلميع قد تتسبب العمليات التي لم يتم تصميم الآلة الكهربائية لها في مخاطر كما قد تسبب التعرض للإصابة الشخصية.

(c) لا تستخدم الملحقات غير المصممة لهذه الآلة والتي لم يوصى بها المصنّع. نظراً لأنه يمكن تركيب أحد الملحقات بالآلة الكهربائية الخاصة بك، فإنه لا يمكن ضمان التشغيل الآمن.

(d) يتعين أن تساوي السرعة المقترنة لقطع الملحقات على الأقل الحد الأعلى للسرعة المحددة على الآلة الكهربائية. فقد يؤدي تشغيل الملحقات بسرعة أعلى من السرعة المقترنة لها إلى كسرها أو تفتتها وتناثر شظاياها.

## EC-DECLARATION OF CONFORMITY

We declare as the manufacturer under our sole responsibility that the product described under "Technical Data" fulfills all the listed below relevant regulations and the directives and harmonized standards have been used.

## CE-KONFORMITÄTSEKTLÄRUNG

Wir erklären als Hersteller in alleiniger Verantwortung, dass das unter „Technische Daten“ beschriebene Produkt mit allen relevanten Vorschriften der nachgeführten aufgeführten Richtlinie und harmonisierten normativen Dokumenten übereinstimmt.

## DÉCLARATION CE DE CONFORMITÉ

Nous déclarons en tant que fabricant et sous notre seule responsabilité, que le produit décrit dans « Données techniques » est conforme à toutes les dispositions pertinentes des directives et documents normatifs harmonisés mentionnés ci-après.

## DICHARAZIONE DI CONFORMITÀ CE

In qualità di produttore dichiariamo sotto la nostra esclusiva responsabilità che il prodotto descritto nei "Dati tecnici" è conforme a tutte le disposizioni pertinenti delle direttive e dei documenti normativi armonizzati di seguito indicati.

## DECLARACION DE CONFORMIDAD CE

Declaramos como fabricante y bajo nuestra responsabilidad que el producto descrito bajo "Datos técnicos" está en conformidad con las normas relevantes de las directivas, normas o documentos normalizados detallados a continuación.

## DECLARAÇÃO DE CONFORMIDADE CE

Como fabricante, declaramos sob responsabilidade exclusiva, que o produto descrito sob "Dados Técnicos" corresponde com todas as disposições relevantes das diretivas abaixo e dos documentos normativos harmonizados.

## EC - VERKLARING VAN OVEREENSTEMMING

Wij als fabrikant verklaren in uitsluitende verantwoording dat het onder "Technische gegevens" beschreven product overeenstemt met alle relevante voorschriften van de onderstaand vermelde richtlijnen en geharmoniseerde normatieve documenten.

## CE-KONFORMITETSEKTLÆRING

Vi erklærer som producent og eneansvarlig, at produktet, der er beskrevet under "Tekniske data", er i overensstemmelse med alle relevante bestemmelser i henhold til nedenstående direktiver og harmoniserede normative dokumenter.

## CE-SAMSVARERKLÆRING

Vi erklærer under eget ansvar at produktet som beskrives under « Tekniske data » samsvarer med alle relevante forskrifter i direktivene og de harmoniserede normative dokumentene som står oppført nedenfor.

## CE-FÖRSÄKRAN

Vi som tillverkare intygar och ansvarar för att den produkt som beskrivs under "Tekniska data" överensstämmer med alla relevanta bestämmelser i de nedan angivna direktiven och harmoniserade normerande dokument.

## TODISTUS CE-STANDARDINMUKAISUUDESTA

Vakuutamme valmistajan ominaisuudessa yksinvastuullisesti, että kohdassa "Tekniset tiedot" kuvattu tuote vastaa seuraavassa luetteltujen direktiivien kaikkia sitä koskevia määräyksiä ja harmonisoituja standardisoivia asiakirjoja.

## ΑΝΩΣΗ ΠΙΣΤΟΤΗΤΑΣ ΕΚ

Ως κατασκευαστής δηλώνουμε υπεύθυνα ότι το προϊόν που περιγράφεται στο κεφάλαιο «Τεχνικά Χαρακτηριστικά» είναι συμβατό με όλες τις σχετικές διατάξεις των Κοινοτικών Οδηγιών και εναρμονισμένων κανονιστικών εγγράφων που αναφέρονται παρακάτω.

## CE UYGUNLUK BEYANI

Üretici sıfatıyla tek sorumlu olarak "Teknik Veriler" bölümünde tarif edilen ürünün aşağıdaki direktifler ve harmonize temel belgelerin bütün önemli hükümlerine uygun olduğunu beyan etmekteyiz.

## CE-PROHLÁŠENÍ O SHODĚ

My jako výrobce výhradně na vlastní zodpovědnost prohlašujeme, že se výrobek popsaný v "Technických údajích" shoduje se všemi relevantními předpisy níže uvedených směrnic a harmonizovanými normativními dokumenty.

## CE - VYHLÁŠENIE KONFORMITY

My ako výrobca výhradne na vlastnú zodpovednosť vyhlasujeme, že výrobok popísaný v "Technických údajoch" sa zhoduje so všetkými relevantnými predpismi následne uvedených smerníc a harmonizujúcimi normatívnymi dokumentmi.

## DEKLARACJA ZGODNOŚCI CE

Jako producent oświadczamy na naszą wyłączną odpowiedzialność, że produkt opisany w punkcie „Dane techniczne” jest zgodny ze wszystkimi istotnymi przepisami wymienionych poniżej Dyrektyw oraz z następującymi zharmonizowanymi dokumentami normatywnymi.

## CE-AZONOSSÁGI NYILATKOZAT

Gyártóként egyeduról felelősséggel kijelentjük, hogy a „Műszaki Adatok” alatt leírt termék a következőkben felsorolt irányelvek minden releváns előírásának és a harmonizált normatív dokumentumoknak megfelel.

## CE-IZJAVA O KONFORMNOSTI

Kot proizvajalec izjavljamo na svojo izključno odgovornost, da je izdelek, opisan pod "Tehnični podatki", v skladu z vsemi ustreznimi določbami smernic in usklajenimi normativnimi dokumenti, navedenimi spodaj.

## CE-IZJAVA KONFORMNOSTI

MI kao proizvođač izjavljamo na osobnu odgovornost, da je proizvod, opisan pod "Tehnički podaci", sukladan sa svim relevantnim propisima i u nastavku navedenim smjernicama i harmoniziranim normativima dokumenata.

## ATBILSTĪBA CE NORMĀM

Mēs kā ražotājs un vienīgā atbildīgā persona apliecinām, ka "Tehniskajos datos" raksturotais produkts atbilst visām attiecīgajām turpmāk minēto direktīvu normām un saskaņotajiem normatīvajiem dokumentiem.

## CE ATITIKTIES PAREIŠKIMAS

Kaip gamintojas atsakingai pareiškiame, kad gaminys, aprašytas skyriuje „Techniniai duomenys“, atitinka visus toliau išvardytą direktivų ir darniųjų norminių dokumentų taikomus reikalavimus.

## EŪ VASTAVUSAVALDUS

Kinnitame tootjana ainuiskuliselt vastutades, et jaotises „Tehnilised andmed“ kirjeldatud toode on kooskõlas allpool nimetatud direktiivide asjaomaste eeskirjade ja ühtlustatud normdokumentidega.

## ДЕКЛАРАЦИЯ О СООТВЕТСТВИИ СТАНДАРТАМ ЕС

Под собственную ответственность мы как производитель заявляем о том, что описанное в разделе «Технические характеристики» изделие отвечает всем соответствующим требованиям нижеперечисленных директив и гармонизированных нормативных документов.

## CE - DEKLARACIJA ZA SŌTVESTVIE

V kvaliteto si na proizvođitel deklarirame na sobstvena odgovornost, če produkt, opisan v „Tehnički podatki“, odgovara na vsiiki sŏtvestvstvi razporedbi na izbroenite pu notate direktive i harmonizirani normativni dokumenti.

## DECLARAŢIE DE CONFORMITATE

În calitate de producător declarăm pe propria răspundere că produsul descris la "Date tehnice" este în concordanță cu toate prevederile legale relevante ale următoarelor directive și norme armonizate.

## ЕУ-ДЕКЛАРАЦИЈА ЗА СООБРАЗНОСТ

Како производител, изјавуваме под целосна одговорност дека „Техничките податоци“ подолу го опишуваат производот со сите релевантни одредби од наведените регулативи и се усогласени со хармонизираните регулаторни документи.

## СЕРТИФИКАТ ВІДПОВІДНОСТІ ВИМОГАМ ЄС

Як виробник, ми заявляємо на власну відповідальність, що виріб, описаний у "Технічних даних", відповідає всім застосовним положенням директив та гармонізованим нормативним документам, наведеним нижче.

## إعلان المطابقة - الإتحاد الأوروبي

موجب هذا نقر نحن كشركة منتجة على مسؤوليتنا المفردة، أن المنتج الموصوف تحت "البيانات الفنية" يتطابق مع جميع التعليمات الهامة للمعايير ومستندات التوافق المعياري المذكورة فيما يلي.

2011/65/EU (RoHS)

2014/30/EU

2006/42/EC

EN 60745-1:2009+A11:2010

EN 60745-2-3:2011+A2:2013+A11:2014+A12:2014+A13:2015

EN 55014-1:2017+A11:2020

EN 55014-2:2015

EN IEC 63000:2018

Winnenden, 2021-01-14

Alexander Krug  
Managing Director



Authorized to compile the technical file

Bevollmächtigt die technischen Unterlagen zusammenzustellen.

Autorisé à compiler la documentation technique.

Autorizzato alla preparazione della documentazione tecnica

Autorizado para la redacción de los documentos técnicos.

Autorizado a reunir a documentação técnica.

Gemachtigd voor samenstelling van de technische documenten

Autoriseret til at udarbejde de tekniske dokumenter.

Autorisert til å utarbeide den tekniske dokumentasjonen

Befullmäktigad att sammanställa teknisk dokumentation.

Valtuutettu kokoamaan tekniset dokumentit.

Εξουσιοδοτημένος να συντάξει τον τεχνικό φάκελο.

Teknik evrakları hazırlamakla görevlendirilmiştir.

Zplnomocněn k sestavování technických podkladů.

Splnomocnený zostaviť technické podklady.

Upeinomocniony do zestawienia danych technicznych

Műszaki dokumentáció összeállításra felhatalmazva

Pooblaščen za izdelavo spisov tehnične dokumentacije.

Ovlašten za formiranje tehničke dokumentacije.

Pilnvarotais tehnikās dokumentācijas sastādīšanā.

Igaliotas parengti techninius dokumentus.

On volitatud koostama tehnilist dokumentatsiooni.

Уполномочен на составление технической документации.

Упълномощен за съставяне на техническата документация

Ímputernicit sã elaboreze documentația tehnică.

Ополноштен за составување на техничката документација.

Уповноважений із складання технічної документації.

معتمدة للمطابقة مع الملف الفني

Tehtonric Industries GmbH  
Max-Eyth-Straße 10  
71364 Winnenden  
Germany

## GB-DECLARATION OF CONFORMITY

We declare as the manufacturer under our sole responsibility that the product described under "Technical Data" fulfills all the listed below relevant regulations and that the following designated standards have been used.

S.I. 2008/1597 (as amended)

S.I. 2016/1091 (as amended)

S.I. 2012/3032 (as amended)

BS EN 60745-1:2009+A11:2010

BS EN 60745-2-3:2011+A13:2015

BS EN 55014-1:2017+A11:2020

BS EN 55014-2:2015

BS EN IEC 63000:2018

Winnenden, 2021-01-14

Alexander Krug  
Managing Director

Authorized to compile the technical file

Copyright 2021  
Techtronic Industries GmbH  
Max-Eyth-Straße 10  
71364 Winnenden  
Germany  
+49 (0) 7195-12-0  
[www.milwaukeeetool.eu](http://www.milwaukeeetool.eu)

Techtronic Industries (UK) Ltd  
Fieldhouse Lane  
Marlow Bucks SL7 1HZ  
UK

(02.21)

**4931 4256 22**