



ETA-Danmark A/S
Göteborg Plads 1
DK-2150 Nordhavn
Tel. +45 72 24 59 00
Fax +45 72 24 59 04
Internet www.etadanmark.dk

Authorised and notified according
to Article 29 of the Regulation (EU)
No 305/2011 of the European
Parliament and of the Council of
9 March 2011

MEMBER OF EOTA



European Technical Assessment ETA-17/0740 of 2025/01/08

I General Part

Technical Assessment Body issuing the ETA and designated according to Article 29 of the Regulation (EU) No. 305/2011: ETA-Danmark A/S

Trade name of the construction product:

fischer concrete screw UltraCut FBS II R

Product family to which the above construction product belongs:

Mechanical fasteners for use in cracked and un-cracked concrete

Manufacturer:

fischerwerke GmbH & Co. KG
Klaus-Fischer-Straße 1
D-72178 Waldachtal

Manufacturing plant:

fischerwerke

This European Technical Assessment contains:

16 pages including 11 annexes which form an integral part of the document

This European Technical Assessment is issued in accordance with Regulation (EU) No. 305/2011, on the basis of:

EAD 330232-01-0601; Mechanical fasteners for use in concrete

This version replaces:

The ETA with the same number issued on 2022-03-08

Translations of this European Technical Assessment in other languages shall fully correspond to the original issued document and should be identified as such.

Communication of this European Technical Assessment, including transmission by electronic means, shall be in full. However, partial reproduction may be made, with the written consent of the issuing Technical Assessment Body. Any partial reproduction has to be identified as such.

II SPECIFIC PART OF THE EUROPEAN TECHNICAL ASSESSMENT

1 Technical description of product and intended use

Technical description of the product

fischer concrete screw UltraCut FBS II R is a concrete screw made of stainless steel. The anchor is installed in a drilled hole and anchored by mechanical interlock.

An illustration of the product is given in Annex A.

The characteristic material values, dimensions and tolerances of the anchors not indicated in Annexes shall correspond to the respective values laid down in the technical documentation of this European Technical Assessment.

The anchors are intended to be used with embedment depth given in Annex B, Table B2.1. The intended use specifications of the product are detailed in the Annex B1.

2 Specification of the intended use in accordance with the applicable European Assessment Document (hereinafter EAD)

The performances given in Section 3 are only valid if the anchor is used in compliance with the specifications and conditions given in Annex B.

The provisions made in this European Technical Assessment are based on an assumed intended working life of the anchor of 50 years.

The indications given on the working life cannot be interpreted as a guarantee given by the producer or Assessment Body, but are to be regarded only as a means for choosing the right products in relation to the expected economically reasonable working life of the works.

3 Performance of the product and references to the methods used for its assessment

3.1 Characteristics of product

Mechanical resistance and stability (BWR 1):

The essential characteristics are detailed in the Annex C1, C2 and C4.

Safety in case of fire (BWR 2):

The essential characteristics are detailed in the Annex C3.

Durability:

See annex B1.

Other Basic Requirements are not relevant.

3.2 Methods of assessment

The assessment of fitness of the anchor for the intended use in relation to the requirements for mechanical resistance and stability and safety in use in the sense of the Basic Works Requirement 1 has been made in accordance with EAD 330232-01-0601; Mechanical fasteners for use in concrete.

4 Assessment and verification of constancy of performance (hereinafter AVCP) system applied, with reference to its legal base.

4.1 AVCP system

According to the decision 1996/582/EC of the European Commission, the system(s) of assessment and verification of constancy of performance (see Annex V to Regulation (EU) No. 305/2011) is 1.

5 Technical details necessary for the implementation of the AVCP system, as provided for in the applicable EAD

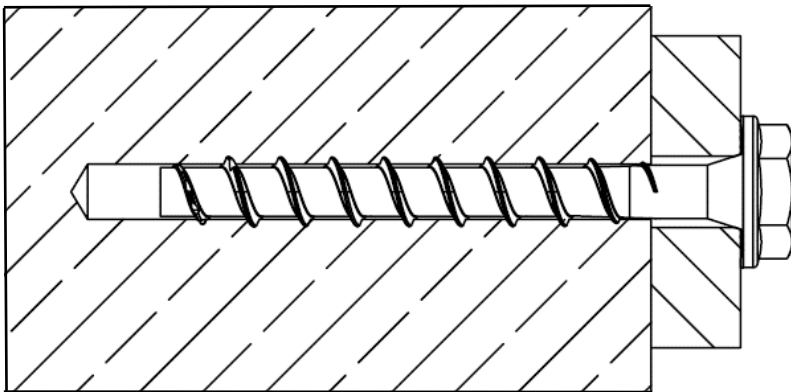
Technical details necessary for the implementation of the AVCP system are laid down in the control plan deposited at ETA-Danmark prior to CE marking.

Issued in Copenhagen on 2025-01-08 by

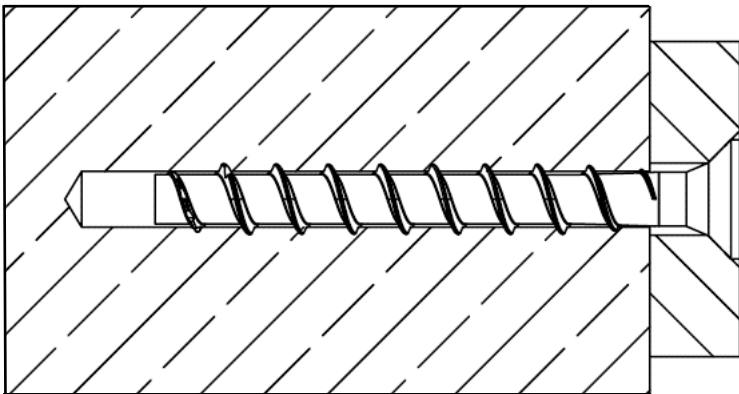


Thomas Bruun
Managing Director, ETA-Danmark

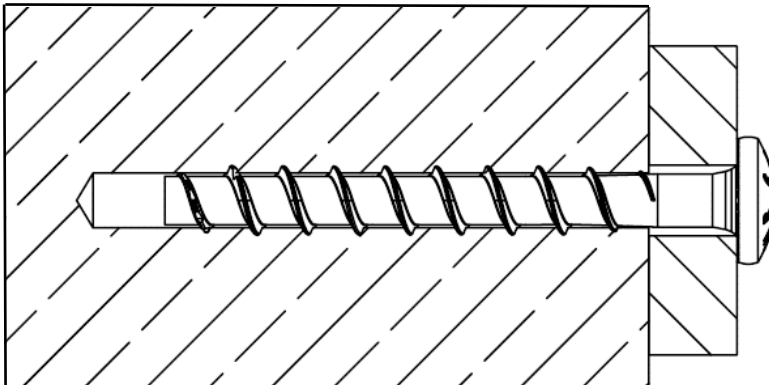
Product in the installed condition



FBS II US R/
FBS II US TX R



FBS II SK R



FBS II P R


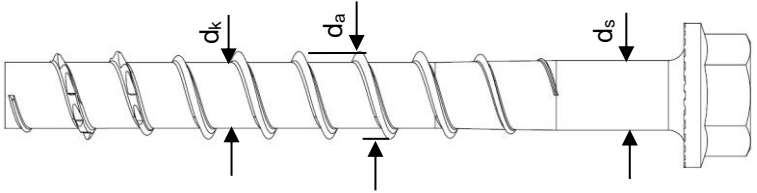

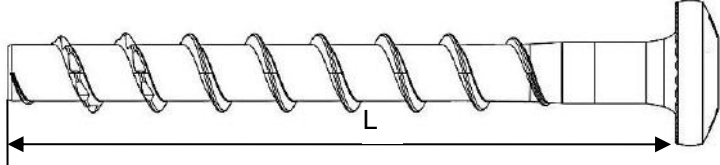

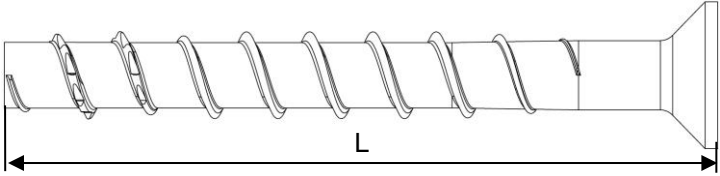
(Figure not to scale)

fischer concrete screw UltraCut FBS II R

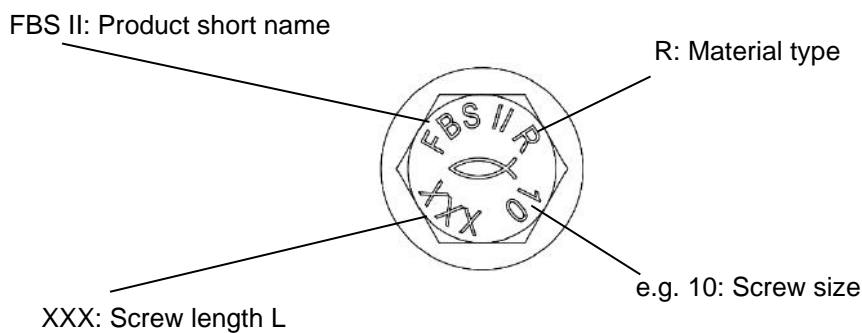
Product description
Product in the installed condition

Annex A 1

Table A2.1: Geometry and material

Type of screw / size		FBS II US R / FBS II SK R / FBS II P R				
		6	8	10	12	
Thread outer diameter	d_a	[mm]	7,8	10,3	12,5	14,6
Core diameter	d_k		5,6	7,5	9,4	11,1
Shaft diameter	d_s		6,0	8,0	9,9	11,7
Material		Tip: hardened steel; Shaft and head: stainless steel EN 10088-1:2023				
Coating		Tip: red colour				
Hexagon head with formed washer (US/US TX)						
Pan head (P)						
Countersunk Head (SK)						

Head Marking (example)



(Figure not to scale)

fischer concrete screw UltraCut FBS II R

Product description
Geometry and material

Annex A 2




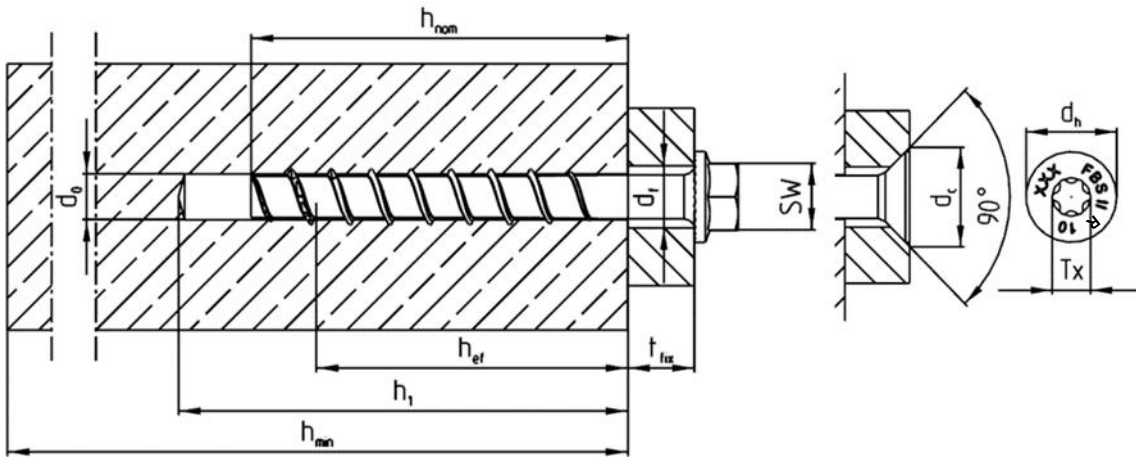
Specification of intended use:									
Size	FBS II R								
	6	8		10			12		
Nominal embedment depth [mm]	60	50	65	55	65	85	60	75	100
Hammer drilling 	✓								
Hollow drilling 	- 1)	✓							
Diamond drilling 									
Static and quasi-static loads	✓								
Cracked and uncracked concrete									
Fire exposure									
Seismic performance category C1	✓	- 1)	✓	- 1)	✓	- 1)	✓	- 1)	✓
Seismic performance category C2	- 1)		✓	- 1)	✓	- 1)	✓	- 1)	✓
<p>1) No performance assessed</p> <p>Base materials:</p> <ul style="list-style-type: none"> • Compacted reinforced or unreinforced normal weight concrete without fibres (cracked or uncracked) according to EN 206:2013+A2:2021 • Strength classes C20/25 to C50/60 according to EN 206:2013+A2:2021 <p>Use conditions (Environmental conditions):</p> <ul style="list-style-type: none"> • Structures subjected to dry internal conditions (FBS II R) • For all other conditions according to EN 1993-1-4:2006 + A1:2015, corresponding to corrosion resistance class - CRC III: for FBS II R <p>Design:</p> <ul style="list-style-type: none"> • The structural design according to EN 1992-4:2018 are conducted under responsibility of a designer experienced in the field of anchorages and concrete works. • Verifiable calculation notes and drawings are to be prepared taking account of the loads to be anchored. The position of the fastener is indicated on the design drawings (e.g. position of the screw relative to reinforcement or to supports, etc.). • Design of fastenings according to EN 1992-4:2018 and EOTA Technical Report TR 055:2018 									
fischer concrete screw UltraCut FBS II R							Annex B 1		
Intended use Specification of intended use									

Table B2.1: Installation parameters

FBS II R		6	8		10			12		
Nominal embedment depth	h_{nom}	60	50	65	55	65	85	60	75	100
Nominal drill hole diameter	d_0	6	8		10			12		
Cutting diameter of drill bits		6,40	8,45		10,45			12,50		
Cutting diameter for diamond drillers	$d_{cut} \leq$	- 1)	8,10		10,30			12,30		
Clearance hole diameter	d_f	8,0	10,6 – 12,0		12,8 – 14,0			14,8 – 16,0		
Wrench size (US)	SW	10 / 13	13		15			17		
TX-size (SK / P / US TX))	TX	30	40		50					
Countersunk head diameter	d_h	13,3	18		21			-		
Countersunk diameter in fixture	d_c	15,2	20		23					
Drill hole depth		70	60	75	65	75	95	70	85	110
Drill hole depth (with adjustable setting)	$h_1 \geq$	- 1)	70	85	75	85	105	80	95	120
Thickness of fixture	$t_{fix} \leq$	$L - h_{nom}$								
Length of screw	$L_{min} =$	65	50	65	55	65	85	60	75	100
	$L_{max} =$	400	400	415	405	415	435	410	425	450
Torque impact screw driver	$T_{imp,max}$	240	450				650			
Torque impact screw driver (with adjustable setting process)	$T_{imp,max}$	- 1)	300				450			

1) No performance assessed



(Figure not to scale)

fischer concrete screw UltraCut FBS II R

Intended use
Installation parameters

Annex B 2

Installation instruction part 1 FBS II 8/10/12 R

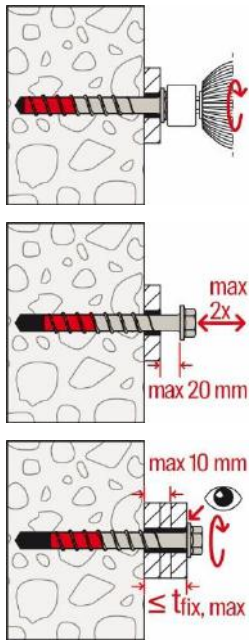
	<p>Step 1: Drilling of the hole:</p> <p>Drill the hole using hammer drill, hollow drill or diamond core drill</p> <p>Drill hole diameter d_0 and drill hole depth h_1 according to table B2.1</p>
	<p>Step 2: Cleaning of the drill hole - horizontal:</p> <p>Clean the drill hole. This step can be omitted in the preparation of the hole by using a hollow drill bit or diamond core drill. (recommendation: use the fischer FHD hollow drill bit)</p>
	<p>Step 2: Cleaning of the drill hole - vertical:</p> <p>Cleaning of the drill hole can be omitted, if drilling vertically upwards or if drilling vertically downwards and the hole depth has been increased. It is recommended to increase the drill hole depth by an additional 3 x drilling \varnothing when drilling vertically downwards.</p>
	<p>Step 3: Installation:</p> <p>Turn in until the head is in contact with the fixture.</p> <p>Installation with any torque impact screw driver up to the maximum mentioned torque moment ($T_{imp,max}$ according to table B2.1).</p> <p>Alternatively, all other tools without an indicated torque moment are allowed (e.g. ratchet spanner). The indicated torque moments $T_{imp,max}$ for impact screw driver are not decisive for manual installation.</p>
	<p>Step 4: Checking of the correct installation:</p> <p>After installation a further turning of the screw must not be possible. The head of the screw must be in contact with the fixture and is not damaged</p>

fischer concrete screw UltraCut FBS II R

Intended use
Installation Instructions

Annex B 3

Installation instruction part 2 FBS II 8/10/12 R



Adjustment

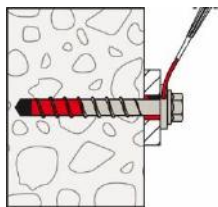
Optional:

It is permissible to adjust the screw twice.

Therefore, the screw may be untightened to a maximum of $L_{adj} = 20$ mm off the surface of the initial fixture. The total permissible thickness of shims added during the adjustment process

is $t_{adj} = 10$ mm.

The required nominal anchoring depth h_{nom} must be kept after the adjustment process. (see also annex B 3)



Filling of the annular gap

For seismic performance category C2 applications:

The gap between screw shaft and fixture must be filled with mortar; mortar compressive strength ≥ 50 N/mm²

(e. g. FIS V Plus, FIS HB, FIS SB or FIS EM Plus). As an aid for filling the gap, the filling disc FFD is recommended.

fischer concrete screw UltraCut FBS II R

Intended use
Installation Instructions

Annex B 4

Installation instruction FBS II 6 R

	<p>Step 1: Drilling of the hole:</p> <p>Drill the hole using hammer drill</p> <p>Drill hole diameter d_0 and drill hole depth h_1 according to table B2.1</p>
	<p>Step 2: Cleaning of the drill hole:</p> <p>Clean the drill hole.</p>
	<p>Step 3: Installation:</p> <p>Turn in until the head is in contact with the fixture.</p> <p>Installation with any torque impact screw driver up to the maximum mentioned torque moment ($T_{imp,max}$ according to table B2.1).</p>
	<p>Step 4: Checking of the correct installation:</p> <p>After installation a further turning of the screw must not be possible. The head of the screw must be in contact with the fixture and is not damaged</p>

fischer concrete screw UltraCut FBS II R

Intended use
Installation Instructions

Annex B 5

Table C1.1: Characteristic values for static and quasi-static action

FBS II R			6		8		10			12		
Nominal embedment depth	h_{nom}	[mm]	60	50	65	55	65	85	60	75	100	
Steel failure for tension load and shear load												
Characteristic resistance	$N_{Rk,s}$	[kN]	19,3	27,8		43,8			67,7			
Partial factor	$\gamma_{Ms,N}$	-	1,5									
Characteristic resistance	$V^0_{Rk,s}$	[kN]	12,6	18,0	27,8	13,2	19,3	36,6	20,4	40,1	45,8	
Partial factor	$\gamma_{Ms,V}$	[-]	1,25									
Factor for ductility	k_7		0,75									
Characteristic bending resistance	$M^0_{Rk,s}$	[Nm]	16,1	31,3		68,5			112,8			
Pullout failure												
Characteristic resistance in concrete C20/25	uncracked	$N_{Rk,p}$	[kN]	10,0	7,0	14,0	8,5	14,0	$\geq N^0_{Rk,c^{(1)}}$	10,0	12,0	$\geq N^0_{Rk,c^{(1)}}$
	cracked	$N_{Rk,p}$	[kN]	4,0	4,0	9,0	4,5	6,0	16,0	4,5	11,0	$\geq N^0_{Rk,c^{(1)}}$
Increasing factors concrete	C25/30	ψ_c	[-]	1,07	1,12							
	C30/37			1,22								
	C35/45			1,32								
	C40/50			1,41								
	C45/55			1,50								
	C50/60			1,58								
Installation factor	γ_{inst}	[-]	1,4	1,0								
Concrete cone failure and splitting failure; concrete pryout failure												
Effective embedment depth	h_{ef}	[mm]	37	40	52	43	51	68	47	60	81	
Factor for uncracked concrete	$k_{ucr,N}$	[-]	11,0									
Factor for cracked concrete	$k_{cr,N}$		7,7									
Characteristic edge distance	$c_{cr,N}$	[mm]	$1,5 \cdot h_{ef}$									
Characteristic spacing	$s_{cr,N}$		$3 \cdot h_{ef}$									
Characteristic resistance for splitting	$N^0_{Rk,sp}$	[kN]	$\min\{N^0_{Rk,c}, N_{Rk,p}\}$	12,0	18,4	13,0	17,9	$\geq N^0_{Rk,c^{(1)}}$	15,8	22,9	$\geq N^0_{Rk,c^{(1)}}$	
Characteristic edge distance for splitting	$c_{cr,sp}$	[mm]	$1,78 \cdot h_{ef}$	$1,5 \cdot h_{ef}$								
Characteristic spacing for splitting	$s_{cr,sp}$		$3 \cdot h_{ef}$									
Factor for pryout failure	k_8	[-]	2,6	1,0			2,0	1,0	2,0			
Installation factor	γ_{inst}		1,4 ²⁾	1,0								
Concrete edge failure												
Effective length in concrete	l_f	[mm]	46	50	65	55	65	85	60	75	100	
Nominal diameter of screw	d_{nom}		6	8	10			12				
Adjustment												
Maximum thickness of shims	t_{adj}	[mm]	- ³⁾			10						
Maximum number of adjustments	n_a	[-]	- ³⁾			2						

¹⁾ $N^0_{Rk,c}$ according to EN 1992-4:2018

²⁾ Only for concrete cone failure and splitting failure; concrete pryout failure according to EN 1992-4:2018, Table 4.1

³⁾ No performance assessed

fischer concrete screw UltraCut FBS II R

Performances

Characteristic values for static and quasi-static action

Annex C 1

Table C2.1: Characteristic values for Seismic Performance Category C1

FBS II R			6	8	10	12	
Nominal embedment depth	h_{nom}	[mm]	60	65	85	100	
Steel failure for tension load and shear load C1							
Characteristic resistance	$N_{Rk,s,C1}$	[kN]	19,3	27,8	43,8	67,7	
	$V_{Rk,s,C1}$		7,5	18,1	29,3	36,6	
Without filling of the annular gap	α_{gap}	[-]	0,5				
With filling of the annular gap ¹⁾			1,0				
Pullout failure							
Characteristic resistance in cracked concrete	$N_{Rk,p,C1}$	[kN]	3,5	9,0	16,0	$\geq N^0_{Rk,c}$ ²⁾	
Concrete cone failure							
Effective embedment depth	h_{ef}	[mm]	37	52	68	81	
Concrete cone failure	Edge distance		$c_{cr,N}$	$1,5 \cdot h_{ef}$			
	Spacing		$s_{cr,N}$	$3 \cdot h_{ef}$			
Installation factor	γ_{inst}	[-]	1,4	1,0			
Concrete pryout failure							
Factor for pryout failure	k_8	[-]	2,6	1,0	2,0		
Concrete edge failure							
Effective length in concrete	l_f	[mm]	46	65	85	100	
Nominal diameter of screw	d_{nom}		6	8	10	12	

¹⁾ Filling of the annular gap according to annex B 4

²⁾ $N^0_{Rk,c}$ according to EN 1992-4:2018

Table C2.2: Characteristic values for Seismic Performance Category C2

FBS II R			6	8	10	12	
Nominal embedment depth	h_{nom}	[mm]	- ²⁾	65	85	100	
Steel failure for tension load and shear load C2							
Characteristic resistance	$N_{Rk,s,C2}$	[kN]	- ²⁾	27,8	43,8	67,7	
	$V_{Rk,s,C2}$			9,7	8,8	19,7	
With filling of the annular gap ¹⁾	α_{gap}	[-]	1,0				
Pullout failure							
Characteristic resistance in cracked concrete	$N_{Rk,p,C2}$	[kN]	- ²⁾	2,8	5,0	7,3	
Concrete cone failure							
Effective embedment depth	h_{ef}	[mm]	- ²⁾	52	68	81	
Concrete cone failure	Edge distance		$c_{cr,N}$	- ²⁾	$1,5 \cdot h_{ef}$		
	Spacing		$s_{cr,N}$		$3 \cdot h_{ef}$		
Installation factor	γ_{inst}	[-]	1,0				
Concrete pryout failure							
Factor for pryout failure	k_8	[-]	- ²⁾	1,0	2,0		
Concrete edge failure							
Effective length in concrete	$l_f = h_{nom}$	[mm]	- ²⁾	65	85	100	
Nominal diameter of screw	d_{nom}			8	10	12	

¹⁾ Filling of the annular gap according to annex B 4. Application without filling of the annular gap not allowed.

²⁾ No performance assessed

fischer concrete screw UltraCut FBS II R

Performances

Characteristic values for Seismic Performance Category C1 and C2

Annex C 2

Table C3.1: Characteristic values for resistance to fire												
FBS II R			6		8		10			12		
Nominal embedment depth		h_{nom}	[mm]	60	50	65	55	65	85	60	75	100
Steel failure for tension load and shear load ($F_{Rk,s,fi} = N_{Rk,s,fi} = V_{Rk,s,fi}$)												
Characteristic resistance for the head shapes	US US TX ≥SW13	$F_{Rk,s,fi}$	R30	[kN]	2,1	2,3	6,4	3,5	11,0	4,6	15,2	
			R60		1,7	1,8	4,7	2,7	8,1	3,7	11,2	
			R90		1,2	1,3	2,9	2,0	5,2	2,7	7,3	
			R120		1,0	1,0	2,0	1,6	3,8	2,2	5,3	
	SK/P ¹⁾ US SW10 ¹⁾	$F_{Rk,s,fi}$	R30	[kN]	1,8	2,1	3,0	No performance assessed				
			R60		1,4	1,7	2,3					
			R90		1,1	1,2	1,6					
			R120		0,9	1,0	1,2					
	US US TX ≥SW13	$M^0_{Rk,s,fi}$	R30	[Nm]	1,7	2,6	7,2	7,6	15,4	16,8	25,3	
			R60		1,4	2,0	5,2	6,0	11,4	13,3	18,7	
			R90		1,0	1,5	3,3	4,4	7,3	9,8	12,1	
			R120		0,8	1,2	2,3	3,6	5,3	8,0	8,8	
	SK/P ¹⁾ US SW10 ¹⁾	$M^0_{Rk,s,fi}$	R30	[Nm]	1,5	2,4	4,2	No performance assessed				
			R60		1,2	1,9	3,2					
			R90		0,9	1,4	2,2					
			R120		0,7	1,1	1,7					
Pullout failure												
Characteristic resistance	$N_{Rk,p,fi}$	R30	[kN]	1,0	1,7	2,4	2,1	3,5	4,3	2,5	3,0	6,3
		R60										
		R90										
		R120										
Concrete cone failure												
Characteristic resistance	$N_{Rk,c,fi}$	R30	[kN]	1,4	1,6	3,4	2,1	3,2	6,6	2,6	4,8	10,2
		R60										
		R90										
		R120										
Edge distance												
R30 to R120		$C_{cr,fi}$	[mm]	$2 \cdot h_{ef}$								
In case of fire attack from more than one side, the minimum edge distance shall be ≥ 300 mm												
Spacing												
R30 to R120		$S_{cr,fi}$	[mm]	$2 \cdot C_{cr,fi}$								
Concrete pryout failure												
R30 to R120		k_8	[-]	2,6	1,0			2,0	1,0	2,0		
The anchorage depth has to be increased for wet concrete by at least 30 mm compared to the given value. ¹⁾ Only FBS II 6 R												
fischer concrete screw UltraCut FBS II R									Annex C 3			
Performances Characteristic values for resistance to fire												

Table C4.1: Displacements due to tension loads (static and quasi-static)

FBS II R			6	8			10			12		
Nominal embedment depth	h_{nom}	[mm]	60	50	65	55	65	85	60	75	100	
Tension load in uncracked concrete	N	[kN]	5,0	3,5	7,1	4,2	7,0	11,9	5,0	6,0	17,1	
Displacement in uncracked concrete	δ_{N0}	[mm]	0,1	0,5	0,7	0,4	0,6	0,8	1,0	0,9	1,25	
	$\delta_{N\infty}$		0,4	0,7	0,7	0,8	0,8	0,8	1,25	1,25	1,25	
Tension load in cracked concrete	N	[kN]	2,8	3,5	4,5	4,2	7,0	8,1	5,0	6,0	12,0	
Displacement in cracked concrete	δ_{N0}	[mm]	0,1	0,6	0,4	0,4	0,6	0,7	0,9	0,9	1,4	
	$\delta_{N\infty}$		0,5	1,5	1,1	1,0	1,8	1,8	1,4	1,7	1,9	

Table C4.2: Displacements due to shear loads (static and quasi-static)

FBS II R			6	8			10			12		
Nominal embedment depth	h_{nom}	[mm]	60	50	65	55	65	85	60	75	100	
Shear load in cracked and uncracked concrete	V	[kN]	7,8	11,0	15,9	10,4	11,9	20,9	12,7	24,9	26,2	
Displacement (the gap between fastener and fixture is subtracted)	δ_{V0}	[mm]	2,2	4,1	2,7	1,2	1,2	3,5	1,1	2,5	2,9	
	$\delta_{V\infty}$		3,4	6,2	4,1	1,8	1,8	5,3	1,7	3,8	4,4	

Table C4.3: Displacements due to tension loads (Seismic Performance Category C2)

FBS II R			6	8	10	12
Nominal embedment depth	h_{nom}	[mm]	- ¹⁾	65	85	100
Displacement DLS	$\delta_{N,C2}$ (DLS)	[mm]	- ¹⁾	0,9	0,9	1,1
Displacement ULS	$\delta_{N,C2}$ (ULS)	[mm]	- ¹⁾	2,5	2,7	3,2

Table C4.4: Displacements due to shear loads (Seismic Performance Category C2)

FBS II R			6	8	10	12
Nominal embedment depth	h_{nom}	[mm]	- ¹⁾	65	85	100
Displacement DLS	$\delta_{V,C2}$ (DLS)	[mm]	- ¹⁾	1,6	1,7	2,6
Displacement ULS	$\delta_{V,C2}$ (ULS)	[mm]	- ¹⁾	5,0	3,8	6,6

¹⁾ No performance assessed

Table C4.5: Minimum thickness of concrete members, minimum spacing and edge distance

FBS II R			6	8			10			12		
Nominal embedment depth	h_{nom}	[mm]	60	50	65	55	65	85	60	75	100	
Minimum thickness of concrete member	h_{min}		100	100	120	100	120	140	110	130	150	
Minimum spacing	s_{min}		35			40			50			
Minimum edge distance	c_{min}		35			40			50			

fischer concrete screw UltraCut FBS II R

Performances

Displacements due to tension and shear loads;
Minimum thickness of concrete members, minimum spacing and edge distance

Annex C 4