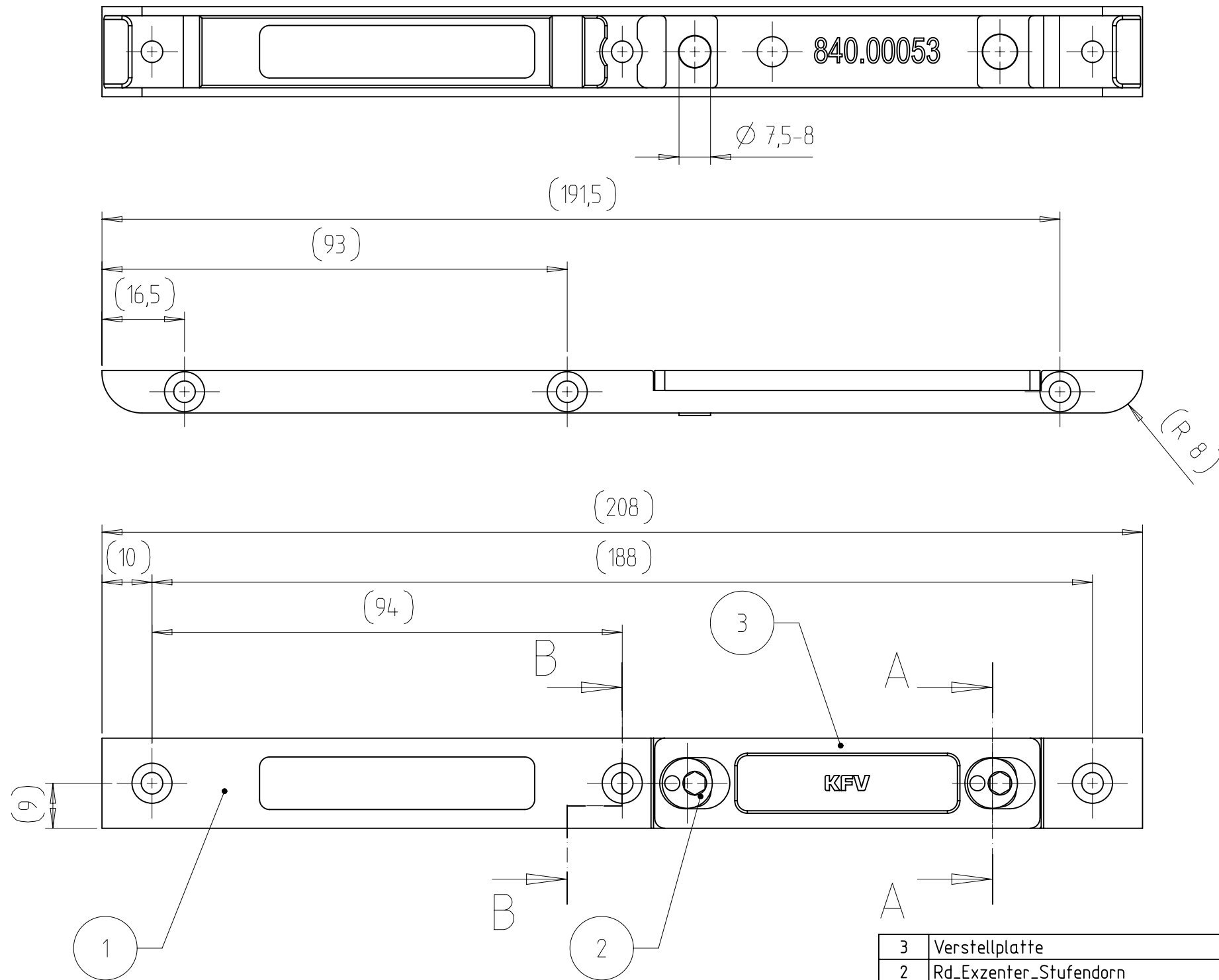
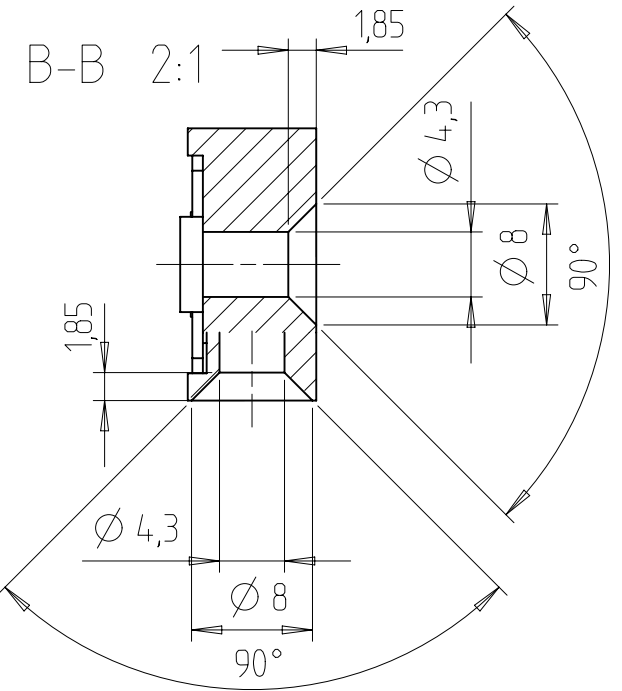
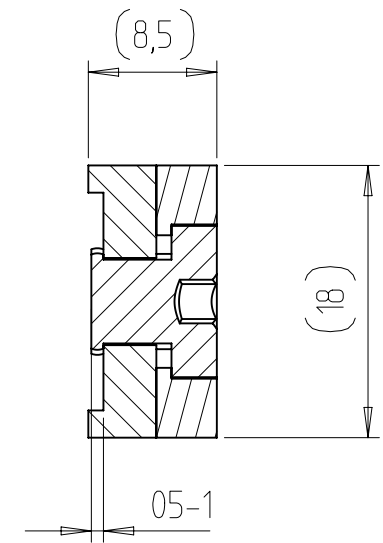


The Drawing and its contents are to be kept secret from third parties, particularly competitors. The drawing and documents which go with it are not to be duplicated either in local or extract, or used in other documentation without express approval (§15 and §18 UrHG - §1 and §18 UWG). A reservation of rights in accordance with §12 PatG is declared for the event that a patent is granted.



A-A 2:1



Tolerierung nach ISO 8015

Pos. 1 und 3 mit Pos. 2 vertauelt

3	Verstellplatte	1	9.402.00063	000	
2	Rd_Exzenter_Stufendorn	2	9.714.00013	000	
1	Flach- Schliessblech	1	9.840.00053	000	
Pos	Benennung	Stck	PDM-Nr.	Teil	Bemerk
Qty.	Type of Nach NX übernommen		ANT	Drawn	Approved
1	Modification		Y7999B	M. M-Bachem	P. Thode
					Date
					23.03.2015
Volume /mm³	Weight/g	Material-No.	Item-No.		Tool-No.
15714	123,107		19-504V		
		Tolerance	Part-Discription		
		ISO 2768 mK	Flach- Schliessblech		
Scale		Additional Notice			
1 : 1					
Drawn	M. Kaufmann	Document No.		Doc. Part No.	Revision
Date	16.02.2009	7.840.00061		000	01
Appr.	P. Thode	Replacement for :		Test procedure	Size
Date	17.02.2009	Replaced by :			A3

KFV

20